

MORRIS

MASTER LIST *of* SPARE PARTS

MINOR s.v. 5 cwt Van 1934

. . Issued by . .

MORRIS MOTORS LIMITED, COWLEY, OXFORD, ENGLAND

Telephone - - - - - Oxford 7777
Telex - - - - - Oxford Telex 7194
Telegrams - - - - - "Voiturette," Telex, Oxford
Cables - - - - - "Voiturette," Oxford
Codes - Bentley's, Bentley's Second Phrase, A.B.C. (5th and 6th Editions), Western Union and Private

IMPORTANT.

MORRIS SPARE PARTS

When purchasing replacement parts or having repairs done, owners of Morris cars are requested to see that a label similar to the one illustrated here is attached to the invoice rendered. These labels are issued by Morris Motors Limited and constitute a guarantee that genuine Morris parts are supplied.

No better car maintenance service exists in the world than that provided by Morris Motors Limited, and no car demands less attention; but it is unfair to the makers to expect the continuance of their support if the structure of the car

has been disturbed by the use of replacement parts that are not genuine Morris parts.



Replacement parts that are not of genuine Morris manufacture cannot be relied upon to be of Morris specification, material and workmanship, and, therefore, the Company cannot be expected to

extend their Guarantee to cars which have been fitted with parts not of their manufacture.

All authorised Morris Distributors and Dealers are under contract to supply only genuine Morris parts.

SPARE PARTS LIST

Introduction

In addition to showing our Factory part numbers, the plate illustrations have been lettered, and numbered in numerical sequence so that the illustrations may be readily coupled up with the printed descriptions of parts.

We reserve the right to make changes or improvements in the construction or equipment of our products at any time without obligating ourselves to install such changes on any cars previously sold.

It is our policy to adopt such improvements as soon as the advisability of making them has been thoroughly demonstrated.

It is therefore absolutely essential when ordering that PART NUMBERS, MODEL, CHASSIS AND ENGINE NUMBERS are quoted.

It will further assist in rendering prompt, efficient service by following the instructions for ordering parts as given on the succeeding pages.

Liste des Pièces de Rechange

Introduction

Outre l'indication des numéros de fabrication des pièces, les figures des planches sont cotées et numérotées consécutivement, de manière à permettre de rapprocher facilement les illustrations des désignations des pièces imprimées dans le Catalogue.

Nous nous réservons le droit d'apporter des modifications ou des perfectionnements à la construction ou à l'équipement de nos produits à n'importe quel moment, sans nous obliger à installer ces modifications sur les voitures déjà vendues.

Nous avons pour principe d'adopter les perfectionnements dès que l'opportunité en est bien démontrée.

Il est donc absolument essentiel d'indiquer les NUMÉROS du CHASSIS et du MOTEUR lors de toute commande de pièces.

D'autre part on nous facilitera un service prompt et efficace en suivant les instructions pour commandes de pièces données dans les pages qui suivent.

Lijst van Onderdeelen

Inleiding

Teneinde de onderdeelen volgens de lijstnummers gemakkelijk op de illustraties te kunnen vinden, zijn deze illustraties eveneens in numerieke volgorde geletterd en genummerd.

Wij behouden ons steeds het recht voor veranderingen en/of verbeteringen aan te brengen in de samenstelling of uitrusting onzer producten zonder eenige verplichting onzerzijds deze aan te brengen op te voren verkochte wagens.

Het is onze gewoonte zulke verbeteringen in toepassing te brengen, zoodra de wenschelijkheid hiertoe duidelijk gebleken is.

Het is daarom absoluut noodzakelijk, bij het bestellen van onderdeelen, de CHASSIS-en MOTORNUMMERS te vermelden.

Het opvolgen der voorschriften, in de volgende bladzijden aangegeven, zal tot prompte en doeltreffende service bijdragen.

Lista de Piezas de Recambio

Introducción

Además de indicar los números de fábrica de las piezas, las figuras de las láminas llevan letras y números consecutivos, de suerte que las ilustraciones puedan fácilmente relacionarse con las descripciones impresas de las piezas.

Nos reservamos el derecho de introducir en cualquier tiempo modificaciones o perfeccionamientos en la construcción o equipo de nuestros productos, sin que por ello estemos obligados a introducir tales modificaciones o perfeccionamientos en cualquieres automóviles vendidos anteriormente.

Levamos por regla adoptar tales perfeccionamientos tan pronto como se haya demostrado concluyentemente su oportunidad.

Es, por lo tanto, absolutamente esencial que al pedir piezas de recambio se indique los NUMÉROS DEL CHASSIS Y DEL MOTOR.

Por otra parte contribuirá a asegurar un servicio rápido y satisfactorio, el que al pedir piezas de recambio sigan las instrucciones que se dan en las páginas siguientes.

Ersatzteilverzeichnis

Einleitung

Ausser unseren Fabrikteilnummern tragen die Abbildungen noch Buchstaben und fortlaufende Nummern, sodass sie sofort an Hand der gedruckten Beschreibung der Teile leicht zu erkennen sind.

Wir behalten uns das Recht vor, zu jeder Zeit Aenderungen oder Verbesserungen in der Ausführung oder Ausrüstung unserer Erzeugnisse vorzunehmen, ohne uns zu verpflichten, derartige Aenderungen auch an bereits verkaufte Wagen anzubringen.

Wir haben es uns zum Grundsatz gemacht, derartige Verbesserungen einzuführen, sobald sich deren Brauchbarkeit als durchaus ratsam erweisen.

Es ist deshalb beim Bestellen von Teilen durchaus erforderlich, dass die Fahrgestell- und Motornummern angegeben werden.

Um eine prompte und sorgfältige Bedienung zu ermöglichen, wird die genaue Befolgung der auf den nachstehenden Seiten gegebenen Anweisungen empfohlen.

Instructions for Ordering Parts

1. Stocks of spare parts for Morris cars are carried by authorised Morris Distributors and Dealers, who are able to execute expeditiously orders received from car owners. To obtain genuine Morris parts promptly it is always advisable to apply to the nearest Morris Distributor or Dealer in your locality.

In any case of difficulty please write to the Company.

2. In order to ensure prompt and correct execution of orders the following instructions should be carefully adhered to:—

Always state:—

- (a) MODEL.
- (b) CHASSIS and ENGINE NUMBERS.
- (c) PART NUMBER and DESCRIPTION as given in this list.
- (d) QUANTITY of each part required.
- (e) Definite FORWARDING INSTRUCTIONS, i.e. Post, Passenger or Goods Train.

3. In Telegraphing, use part number, code word and give the CHASSIS NUMBER; always PRINT CODE WORD IN BLOCK CAPITALS and CONFIRM YOUR TELEGRAM BY LETTER OR ORDER at once. Give sufficient postal address for a parcel to find you. If away from home, give YOUR HOME ADDRESS IN ADDITION to dispatching instructions. Remember when sending a telegraphic money order that YOUR NAME AND ADDRESS MUST BE TELEGRAPHED AS A MESSAGE. If this is not done the order will arrive without any indication of the sender, as your signature on back of telegram is not telegraphed.

The following abbreviations may be used when Telegraphing orders:—

AIRWAYS	Send by Air Mail.
PASSENGER	Send by Passenger Train.
POST	Send by Parcel Post.
PASSCALL	Send by Passenger Train to be called for at Station.
PATIENCE	Send by Goods Train.
C.O.D.	Send Cash on Delivery.

Always write in words the quantity of any particular part required, and use code word for name of part, thus: "PASSCALL TWO IMWAG PART 50444 CAR 1032," which would be deciphered by us as follows: "Send by Passenger Train, to be called for at Station, Two Front Hubs, Part No. 50444, for Car No. 1032."

Prefix letters in front of part numbers should always be quoted, except when code words are used, in which case the prefix letters are unnecessary.

4. In cases where there is any doubt, send the old part as a pattern, CARRIAGE PAID, clearly labelled with your name and address, and endorsed "PATTERN."

5. To ensure the instant dispatch of any part it is advisable to open a small deposit account.

Claims for Shortages, etc.

All shipments are presumed to be complete, perfectly packed and in good order. When a damaged shipment is received, claim should be made immediately against the transportation company from whose hands shipment was taken. All claims for shortage or errors in packing must be made immediately upon receipt of shipment, and must be accompanied by the original packing slip.

Proprietary Fittings

The Company only fits the highest grade and best-known proprietary fittings, but it gives no guarantee whatsoever in respect of tyres, lamps, distributors, electrical equipment, speedometers, clocks or any other proprietary fittings of any type supplied with its cars or otherwise inasmuch as such proprietary fittings are usually covered by a guarantee issued by their respective manufacturers.

All questions involving the replacement or repair of any such proprietary fittings should, therefore, be taken up direct with the manufacturers concerned, and not with Morris Motors Limited.

We will continue to execute direct orders for new proprietary parts as above, or same may be purchased from the nearest branch, service station, or agency of the respective makers.

The names and addresses of manufacturers of all proprietary fittings used on Morris cars are given on page ix.

Claims under Guarantee

Claims for replacement or rectification of Morris parts under the guarantee should invariably be submitted for our consideration through an authorised Morris Distributor or Dealer, and it is advisable that a full technical report should accompany the alleged defective parts.

If a replacement part has already been obtained, the name and address of the Distributor or Dealer who supplied it should be stated.

In order that parts returned can be readily coupled up with the letter of advice and report, such PARTS MUST BE CLEARLY LABELLED WITH THE CHASSIS AND ENGINE NUMBERS, DEALER'S AND/OR OWNER'S NAME AND ADDRESS, and forwarded CARRIAGE PAID addressed to Morris Motors Ltd., Service Dept., Cowley, Oxford, England.

Repairs and Patterns

Parts sent for repairs or as patterns must have carriage charges prepaid, and should be similarly labelled with sender's name and address for ready identification with letter of advice. Full instructions as to disposal of scrap parts must be given.

MORRIS MOTORS LTD.
COWLEY, OXFORD, ENGLAND

Telephone:
No. 7101 Cowley, Oxford
6 Lines (Private Branch Exchange)

Telegrams:
Voiturette, Cowley
Oxford

Codes:
Bentley's, Bentley's Second Phrase,
A.B.C. (5th & 6th Editions), Western
Union and Private

Cables:
Voiturette, Oxford

Proprietary Fittings

The following Proprietary Equipment, and component parts, can be obtained by Dealers direct from the Manufacturers, as below, or will be supplied by the Service Department of Morris Motors Ltd. at list prices current from time to time.

All claims for replacement of alleged defective parts must be referred direct to the respective Manufacturers, or nearest Authorised Service Station.

<i>Name of Part.</i>	<i>Name and Address of Manufacturer.</i>	<i>Name of Part.</i>	<i>Name and Address of Manufacturer.</i>
Dynamo	Joseph Lucas Ltd., Great Hampton Street, Birmingham.	Petrol Gauge and Attachment (Elec.)	S. Smith & Sons (Motor Accessories) Ltd., Cricklewood Works, London, N.W.2.
Dynamotor	Ditto ditto	Speedometers and Cables	Ditto ditto
Starter	Ditto ditto	Clocks	Ditto ditto
Startix	Ditto ditto	Grease Guns	Benton & Stone Ltd., Bracebridge Street, Birmingham.
Starter Switch	Ditto ditto	Carburetters	S.U. Co. Ltd., East Works, Bordesley Green Road, Adderley Park, Birmingham.
Ignition Coil	Ditto ditto	Petrolift	Ditto ditto
Distributor	Ditto ditto	Petrol Pump	Ditto ditto
Switchbox	Ditto ditto	Tyres	Dunlop Rubber Co. Ltd., Fort Dunlop, Erdington, Birmingham.
Ammeter	Ditto ditto	Shock Absorbers (Armstrong)	Armstrong Patents Co. Ltd., Eastgate, Beverley, Yorks.
Cut-out	Ditto ditto	Shock Absorbers (Luvax)	Joseph Lucas Ltd., Dordrecht Road, Acton Vale, London, W.3.
Junction and Fusebox	Ditto ditto	Mascot Wings	Wilmot-Bredden Ltd., Eastern Works, Camden Street, Birmingham.
Battery	Ditto ditto	Bumpers... ..	Ditto ditto
Lamps	Ditto ditto	Calormeters	Ditto ditto
Electric Bulbs	Ditto ditto	Autovac	Autovac Manufacturing Co. Ltd., Heaton Norris, Stockport.
Horns (Electric)	Ditto ditto	Lifting Jack and Tools	R. T. Shelley Ltd., Aston Brook Street, Birmingham.
Windscreen Wipers	Ditto ditto	Radiators	To Authorised Morris Radiator Repair Stations.
Observation Mirrors	Ditto ditto	Bendix Clutch Control	Bendix Ltd., King's Road, Tyseley, Birmingham.
Instrument Panel Assembly	Ditto ditto	Sparking Plugs (K.L.G.)	K.L.G. Sparking Plugs Ltd., Robinhood Engineering Works, Putney Vale, London, S.W.15.
Direction Indicators and Bulbs	Ditto ditto	" " (A.C.)	The A.C. Sphinx Sparking Plug Co., Birmingham.
		" " (Champion)	Champion Sparking Plug Co. Ltd., 83 Pall Mall, London, S.W.1.

WWW.MORRIS-ARCHIVE.CO.UK

Group Index

GROUP	S.W.B. PAGE	L.W.B. PAGE	VAN PAGE	PLATE ILLUSTRATION
Engine	1-5	1-5	1-5	A-B
Clutch and Gearbox	5-11	5, 7-11	5-7 and 11	B
Front Axle	11-12	45	73-74	C
Controls	12-13	46-47	74-75	C
Steering	14-15	47	75-77	D
Rear Axle	16-17	48-49	77-78	E
Brakes	17-22	49-54	79-81	G
Chassis Frame	22-23	54	81-82	F
Undershields	23	55	82	—
Exhaust Pipes and Silencer	23-24	55	82	F
Fuel System	24	55-56	82-83	F
Radiator	25	56	83-84	F
Bonnet	25-26	56-57	84	—
Number-plates	26	57	84	—
Springs	26-28	57-58	85-86	—
Shock Absorbers	28-29	58-59	86	—
Wheels	29	60	86-87	—
Battery and Carrier	29	60	87	—
Wings, Splashes and Bonnet Platform	30	60-61	87-88	—
Headlamp Support	30	61	88	—
Running-boards	31	61	88	—
Dash, Shroud and Footboards	31-32	62-63	88-89	—
Clips	32-33	63	89-90	—
Tools	33	64	90	—
Carburetter	33-34	64-65	91-92	H
Electrical Equipment	35-37	65-67	92-94	C, J and K
Body Details	38-44	68-72	94-96	—

Alphabetical Index

DESCRIPTION	S.W.B. PAGE	L.W.B. PAGE	VAN PAGE	DESCRIPTION	S.W.B. PAGE	L.W.B. PAGE	VAN PAGE
A							
Absorber, Shock ...	28	58-59	86	Bracket, Brake Cable Pulley ...	18	50	79
Accelerator Pedal Lever ...	13	46	74	" Brake Cross Shaft ...	18	50	79
Actuator, Gearbox Reverse ...	8 & 10	8 & 10	—	" Dynamo ...	1	1	1
Adjustable Ends, Track Rod and Draglink ...	11-12	45	73	" Dashboard Mounting ...	31	62	88
Adjuster Nut, Brake Cable ...	19	50-51	79-80	" Engine Support ...	23	54	81
Air Vent Assembly, Petrol Tank ...	24	55	83	" Front and Rear Spring ...	23	54	81
Ammeter ...	31	62	88	" Horn ...	35	66	92
Anchor Plates, Brake-shoe Spring ...	22	53	—	" Horn Push and Dipper ...	35	66	92
Angle Beading, Running-board ...	31	61	88	" Ignition, Mixture and Slow-running ...	12	46	74
Arm, Distributor ...	37	67	93	" Lockheed Hose ...	23	52 & 54	—
Armature, Dynamo ...	36	66	93	" Master Switch ...	29	60	87
" Starter ...	37	67	94	" Mirror ...	43	72	95
Attachment, Hood to Screen ...	43	—	—	" Petrol Tank ...	23-24	54-55	82
" Petrol Gauge ...	24	55	83	" Rear Number-plate ...	26	—	84
Axle Beam ...	11	45	73	" Shock Absorber (Snubber) ...	23	54	82
Axle Shaft, Rear ...	16	48	77	" Spare Wheel ...	29	—	—
B				" Starter Switch... ..	37	67	94
Badge, Radiator ...	25	56	83	" Starting Handle ...	23	54	82
Ball, Track Rod and Steering Lever ...	11 & 15	45 & 47	73 & 77	" Steering Gearbox ...	23	54	82
Bar, Change-speed Locking Bar ...	7	7	7	" Sun Visor ...	43	72	—
" Front Number-plate Support ...	26	57	84	Brackets, Direction Indicator ...	36	66	—
Barrel, Roller Blind ...	42	72	—	" Headlamp ...	30	61	88
Barrel and Supply Tank, Master Cylinder ...	19	51	—	" Radiator Stay Rod ...	25	—	84
Battery ...	29	60	87	" Steering Column ...	14-15	47	76
Beading, Body Waistline ...	42	—	—	Brake-drum, Front and Rear ...	20	52-53	80-81
Bearing, Brake Cross-shaft Steady ...	18	50	79	Brake-shoe, Front and Rear ...	21	52-53	80-81
" Clutch Thrust ...	5	5	5	Brushes, Dynamo and Starter ...	36-37	67	93-94
" Crankshaft Rear ...	2	2	2	Buffer, Front Spring ...	27	58	85
" Differential ...	17	49	78	" Door ...	40	70	96
" Dynamo ...	36	66	93	Bulbs, Lamp ...	31, 35 & 36	65-66	92
" Flywheel Tail-end ...	5	5	5	Bush, Brake Cam ...	21-22	53-54	80-81
" Gearbox Drive Gear ...	6, 7 & 9	7 & 9	6	" Brake Cross Shaft Bracket ...	18	50	79
" Gearbox Layshaft ...	8 & 10	8 & 10	—	" Clutch Operating Shaft... ..	5	5	5
" Rear Hub ...	16	48	78	" Crankshaft Front ...	2	2	2
" Speedometer ...	11	11	11	" Dynamo and Starter ...	36-37	66-67	94-95
Bearings, Engine Camshaft ...	1	1	1	" Gearbox Layshaft ...	7	—	7
" Front Hub ...	11	45	73	" Gearbox Reverse Gear ...	7-8 & 10	8 & 10	7
" Gearbox Mainshaft ...	6-9	9	6	" Timing Gear ...	3	8	3
" Rear Axle Pinion ...	17	49	78	Bushes, Steering Box ...	14	—	76
Bell Housing ...	3	3	3	C			
Bleeder Screw, Wheel Cylinder ...	20	52	—	Cable, Brake ...	18-19	50	79-80
Block, Cylinder ...	1	1	1	" Harness ...	32	63	89
" Radiator Packing ...	25	56	—	" Mixture and Slow-running ...	13	46	75
" Spare Wheel Centre ...	29	60	87	" Speedometer ...	32	62	89
Blocks, Engine Mounting ...	4	4	4	Calormeter ...	25	56	83
Body, Carburetter ...	33	64	91	Cam, Brake and Brake-shoe Adjuster ...	21-22	53-54	80-81
Bonnet ...	25	56	84	Camshaft, Engine ...	1	1	1
Boots, Brake Master and Wheel Cylinder ...	19-20	51	—	Canopy, Hood ...	42	—	—
Bracket, Accelerator Cross Shaft ...	13	46	74	Cap, Axle Housing Front Cover ...	16	48	77
" Body Support ...	23	54	—	" Horn Push Bracket ...	35	66	92
" Brake, Front and Rear ...	21	52-53	80-81	" Master Cylinder Supply Tank ...	19	51	—
				" Petrol Tank ...	24	55	83

Alphabetical Index—continued

DESCRIPTION	S.W.B. PAGE	L.W.B. PAGE	VAN PAGE	DESCRIPTION	S.W.B. PAGE	L.W.B. PAGE	VAN PAGE
Cap, Pinion Housing	17	49	78	D			
" Radiator	25	56	83	Dashboard	31	62	88
" Sump Oil Filler	2	2	2	Dash Shroud	31	62	88
Carburetter	33	64	91	Differential Case	17	49	78
Carrier, Battery	29	60	87	Disc, Propeller Shaft	16	48	78
Case, Differential	17	49	78	Distributor	37	67	93
Centre, Spare Wheel	—	60	87	Dog, Distributor	37	67	93
Chain, Timing	3	3	3	Draglink	12	45	73
Channel, Glass	39	68—69	—	Drive Gear, Gearbox	6—7 & 9	7 & 9	6
" Sliding Roof	41	71	—	Drive Gear and Pinion	17	49	78
" Sliding Seat	41	71	95	Drum, Brake-	20	52—53	80—81
" Sun Visor	48	72	—	Dumb-iron, Chassis	23	54	81
Chassis Frame	22	54	81	Dynamo	36	66	93
Check Strap, Door	40	71	96				
Chock, Gearbox Drive Gear Feed	6	6	6	E			
Clips, Exhaust Pipe and Silencer	23	55	82	End Finishers, Running-board	31	61	—
" Radiator Hose	25	56	83	Envelope, Hood	42	—	—
" Rear Spring	27	58	86	Escutcheon, Door Lock Lever	39	69	95
" Spring Leaf	27—28	57—58	85	Exhaust Pipes	23	55	82
" Undershield	23	55	82	Extension, Hood	42	—	—
" Various	32	63	89—90	" Universal Joint Cover	17	40	—
Cock, Oil Test	3	3	3				
Coil	36	66	93	F			
Column, Steering	14—15	47	75—76	Fabric Disc, Propeller Shaft	16	48	78
Condenser, Distributor	37	67	93	Fan	4	4	4
Connecting Rod	2	2	2	Fasteners, Bonnet	26	50	84
Connection, Wheel Cylinder	20	51	—	" Carpet Mat	41	71	—
Controls, Ignition, Mixture and Slow-running	12	46	74—75	Felt, Front Hub... ..	11	45	73
Cotter, Steering Knuckle Bolt	11	45	73	" Grease Retainer (Front Hub)	11	45	73
Cover, Axle Housing, Front and Rear	16	48	77	" Rear Hub	16	48	78
" Camshaft End	1	1	1	Filler Spout, Petrol Tank	24	—	—
" Change-speed Lever	8 & 10	8 & 10	—	Filler, Sump Oil	2	2	2
" Clutch and Clutch Inspection	5	5	5	Filter, Carburetter	34	65	91
" Clutch Thrust Bearing	5	5	5	" Sump Oil	2	2	2
" Distributor	37	67	93	Flange, Exhaust Pipe	23	55	82
" Float-chamber	38	64	91	Float, Carburetter	34	64	91
" Gearbox	6—7 & 9	7 & 9	6	Float-chamber, Carburetter	33	64	91
" Gearbox, Rubber	44	72	—	Flywheel	5	5	5
" Oil Pump	3	3	3	Fork, Change-speed Operating	7—8 & 10	8 & 10	7
" Starting Handle Hole	25	56	—	Frame, Chassis	22	54	81
" Steering Box	14—15	47	77	Fuse, Dynamo	30	67	93
" Tappet	1	1	1	Fusebox and Cut-out	31	62	89
" Timing	3	3	3				
" Universal Joint	17	49	78	G			
" Wheel Hub	29	60	86	Gasket, Axle Housing Cover, Front and Rear	16	48	77
Crankshaft	2	2	2	" Brake Master Cylinder Head	19	51	—
Cross Shaft, Accelerator	13	46	74	" Camshaft End Cover	1	1	1
" Brake	18	50	79	" Carburetter	4	4	4
Cross Tube, Rear	22	54	81	" Crankshaft Front and Rear Bearing	2	2	2
Cup, Brake Master and Wheel Cylinder Piston	19—20	51	—	" Housing	1	1	1
" Track Rod and Draglink	11—12	45	73	" Cylinder Head	4	4	4
" Valve Spring	1	1	1	" Exhaust Manifold	4	4	4
Cut-out	31	62	89	" Exhaust Pipe	23	55	82
Cylinder, Brake Master and Wheel	19—20	51	—	" Gearbox Drive Gear	6—7	7	6
Cylinder Block	1	1	1				
Cylinder Head	1	1	1				
" " Brake Master	19	51	—				

Alphabetical Index—continued

DESCRIPTION	S.W.B. PAGE	L.W.B. PAGE	VAN PAGE	DESCRIPTION	S.W.B. PAGE	I.W.B. PAGE	VAN PAGE
N							
Needle, Carburetter Float	34	64	91	Protectors, Bonnet Body	25	56	84
" Carburetter Jet	34	65	91	Pull, Door	40	71	95
Nipple, Wheel Spoke	29	60	86	Pulley, Brake Cable Guide	18	50	79
Number-plates	26	57	84	" Fan	4	4	4
O							
Oilcan	33	64	90	Pulls, Door Glass	38	—	96
Oil Filler, Sump	2	2	2	Pump, Petrol	24	55	82
Oil Filter, Sump... ..	2	2	2	" Tyre and Lubricating... ..	33	64	90
Oil Gauge... ..	32	62	89	Q			
Oil Retainer, Flywheel Tail Bearing	5	5	5	Quadrant, Hand Brake Lever... ..	18	50	79
" " Rear Axle Shaft	10	48	77	" Windscreen	38	68	94
Oil Thrower, Crankshaft	2	2	2	R			
" " Drive Gear	6-7-8	7-8	6	Radiator	25	56	88
" " Gearbox Mainshaft	6	—	6	Ratchet, Hand Brake	18	50	79
P							
Packing, Bonnet	25	50	84	Regulator, Window	30	69	—
Panel, Instrument	31	62	88	Resistance Unit, Dynamo	30	67	98
Pawl, Hand Brake	17	49	79	Retainer, Axle Shaft Oil	14	48	77
Pedal, Brake	19	51	80	" Brake Cable	18	50	80
" Clutch	5	5	5	" Front Hub Grease	11	45	73
Peg, Rocker-shaft	15	47	77	" Rear Hub Felt	16	48	78
Petrolift	24	55	82	" Valve Spring	1	1	1
Pin, Clutch Operating and Driving	5	5	5	Reverse Shaft	7-8 & 10	8 & 10	92
" Gudgeon	2	2	2	Rim, Lamp	35	65	97
" Reverse Operating Lever	8 & 10	8 & 10	—	" Scuttle	31	62	—
" Spring Shackles	27	58	85-86	Ring, Piston	2	2	2
" Plates, Door	40	70	—	Rocker-shaft, Steering	15	47	77
Pinion, Differential	17	49	78	Rod, Accelerator	13	46	74
Pinion and Sleeve, Starter	37	67	94	" Bonnet Hinge	20	57	84
Pipe, Oil Suction	3	3	3	" Brake	19	51	80
Pipes, Brake Oil	20	52	—	" Brake Master Cylinder Push	19	51	—
" Exhaust	23	55	82	" Connecting	2	2	2
" Petrol	24	55	83	" Hand Brake Pawl	17	49	79
" Water Inlet and Outlet	4	4	4	" Ignition Control	12	46	74
Piston	2	2	2	" Radiator Stay	25	56	84
" Brake Master and Wheel Cylinder... ..	19-20	51	—	" Rear Cross Tube	23	54	81
Plates, Clutch	5	5	5	" Track	11	45	73
" Number	26	57	84	Rods, Change-speed	7-8 & 10	8 & 10	7
" Road Spring Clamp	26-27	57-58	85	Running-boards	31	61	88
Platform, Bonnet	30	61	88	S			
Pliers	33	64	90	Sector, Hand Brake	17	40	—
Plug, Crankshaft	2	2	2	Shackle, Front and Rear Spring	27	58	85-86
" Gearbox	6-7 & 9	7 & 9	6	Shaft, Gearbox Reverse	7-8 & 10	8 & 10	7
" Oil Relief Valve	3	3	3	" Propeller	16	48	78
" Rear Axle Filler and Drain	16	48	77	" Rear Axle	10	48	77
" Reverse Locking Socket	8 & 10	8 & 10	—	Shoe, Brake	21-22	52-53	80-81
" Sparking	36	66	93	Shroud, Dash	31	62	88
" Track Rod and Draglink	11-12	45	73-74	Sidescreeen... ..	42	—	—
Plunger, Reverse Locking	8 & 10	8 & 10	—	Silencer, Exhaust	23	55	82
Prop. Hood	42	—	—	Sleeve, Clutch Operating	5	5	5
Propeller Shaft	16	48	78	Socket, Reverse Locking Plunger	8 & 10	8 & 10	—
				Sparking Plug	36	66	93
				Speedometer	32	62	89

Alphabetical Index—continued

DESCRIPTION	S.W.B. PAGE	L.W.B. PAGE	VAN PAGE	DESCRIPTION	S.W.B. PAGE	L.W.B. PAGE	VAN PAGE
Spider, Gearbox Mainshaft	7-8 & 10	8 & 10	7	T			
" Propeller Shaft and Pinion	16	48	78	Tank, Petrol	24	55	82
Spindle, Oil Pump	3	3	8	Tap, Cylinder Block Drain	1	1	1
" Throttle	34	65	92	" Petrol Tank	24	—	88
Splasher, Front and Rear	30	61	87-88	" Radiator Drain	25	56	88
Spokes, Wheel	29	60	86	Tappet, Valve	1	1	1
Spring, Brake Pedal Return	19	51	80	Tools	33	64	90
" Brake-shoe Pull-off	22	52-58	80-81	Track Rod	11	45	78
" Clutch Operating and Driving	5	5	5	Trigger, Hand Brake Lever	17	49	79
" Clutch Pedal Pull-off	5	5	5	U			
" Hand Brake Pawl	17	49	79	Undershid	23	55	82
" Hand Brake Lever	17	49	79	Union, Brake Hose	20	52	—
" Road	26-27	57-58	85	" Carburetter	34	—	92
" Track Rod and Draglink	11-12	45	78-74	" Petrol Pipe	24	55	88
" Valve	1	1	1	V			
Standard, Windscreen	38	—	—	Valve, Engine	1	1	1
Starter	37	67	94	Visor, Sun	43	72	—
Starting Handle	3	3	3	W			
Stay, Wing	30	60	87	Wheel, Crankshaft and Camshaft Timing	8	8	8
Steering Box	14-15	47	76-77	" Road	29	68	80
Steering Wheel	14-15	47	75-76	" Steering	14-15	47	75-76
Strainer, Petrol Tank	24	55	83	Windscreen	38	68	94
Strap, Petrol Tank	24	55	82	Wing, Front and Rear	30	60-61	87
Stretcher, Hood	—	72	—	Wiper, Windscreen	38	68	94
Striker Plate, Door Lock	40	71	95	Wire, Mixture and Slow-running	13	46	75
Stud, Wheel	29	60	86	Worm, Steering	14	—	76
Sump	2	2	2	Worm Wheel, Steering	14	—	76
Support, Bonnet	26	57	84				
Switch, Battery Master	29	60	87				
" Direction Indicator	36	66	—				
" Horn Push and Dipper	35	66	92				
" Roof Lamp	35	66	—				
" Starter	37	67	94				
Switchbox	31	62	88				

SPARE PARTS LIST

MORRIS MINOR (S.V. MODELS) 5-CWT. VAN

DESCRIPTION	No. Used	Std. Pkgs.	Commencing Chassis No. 101		Commencing Chassis No. 5586		Commencing Chassis No. 20801		Commencing Chassis No.		Commencing Chassis No.		Commencing Chassis No.		REMARKS
			Part No.	Illus. No.	Part No.	Illus. No.	Part No.	Illus. No.	Part No.	Illus. No.	Part No.	Illus. No.	Part No.	Illus. No.	
FRONT AXLE															
AXLE BEAM	1		36052	C1											
STEERING KNUCKLE O/S	1		35148	C2											
Ditto N/S	1		35149	C8											
Nut O/S	1		85488	C4											
" N/S	1		85484	C5											
Washer	2	24	35142	C6	37046	C6									
Felt washer (top)	2	24	5382	C7											
Bolt	2		36118	C8											
Bolt washer	2	24	85455	C9											
Bolt thrust washer	2	24	85144	C10											
Bolt nut	2		85520	C11											
Bolt cotter	2	24	85482	C12											
Bolt cotter nut	2	24	EZ508				37489								
Bush (top and bottom)	4	24	35141	C18											
FRONT HUB (with studs)	2		85145	C14											
Felt washer	2	24	35154	C15											
Bearing (large)	2	6	35152	C16											
" (small)	2	6	JA5192	C17											
Bearing distance piece	2		35147	C18											
Bearing distance washer	2	10	35146	C19											
Grease retainer	2				37047	C20									
Grease retainer felt	2				37000	C21									
TRACK ROD (Assembly)	1		85953												
TRACK ROD	1		85950	C22											
Nut (R.H.T.)	1	12	85497	C23											
" (L.H.T.)	1	12	35409	C24											
Adjustable end (R.H.T.)	1	6	35951	C25											
" " (L.H.T.)	1	6	35942	C26											
Plug	2	20	85948	C27											
End cup	2	20	35944	C28											
Ball cup	2	20	35945	C29											
Spring	2	20	35948	C30											
Lever O/S	1		36893	C31											
" N/S	1		36892	C32											
Lever bolt (long)	4		88081												
" " (short)	4		88080												
Ball	3	24	35952	C33											
Ball nut	3	24	3505												
DRAGLINK (Assembly)	1		36804												
DRAGLINK	1		35940	C34											
Lock nut (L.H.T. front)	1	12	35499	C35											
" " (R.H.T. rear)	1	12	35497	C36											
Adjustable end (front)	1	6	35942	C37											
" " (rear)	1	6	36285	C38											
End cap (rear)	1	10	36286	C39											
Cap set screw	1	24	85495	C40											
Cap set screw lock nut	1	24	85560	C41											
Distance piece	1	12	36288	C42											
Ball cup	1		35945	C43											
End cup	1		85944	C44											

SPARE PARTS LIST

MORRIS MINOR (S.V. MODELS) 5-CWT. VAN

DESCRIPTION	No. Used	Std. Pkgs.	Commencing Chassis No. 101		Commencing Chassis No. 1645		Commencing Chassis No. 5536		Commencing Chassis No. 20301		Commencing Chassis No. 33779		Commencing Chassis No.		REMARKS
			Part No.	Illus. No.	Part No.	Illus. No.	Part No.	Illus. No.	Part No.	Illus. No.	Part No.	Illus. No.	Part No.	Illus. No.	
FRONT AXLE—continued															
End plug	1		35946	C45											
Spring	2		35948	C46											
Plug	2		35948	C47											
Ball	1	24	35952	C48											
Ball nut	1	24	3505												
CONTROLS															
IGNITION CONTROL (Assembly) ..	1		86818	C49											Finishes at Chassis No. 20300
Rod	1		87512	C50						37911	C50				
Rod felt	1/2								37773						Quantity increased at Chassis No. 33779
Lever	1		37565	C51											
Bracket	1		37709						50957						
Bracket clip	1		16487						50955						
Bracket clip screw	2								50956						
Clip (to steering box)	1		51200	C52											
" (to steering column bracket) ..	1								4704						
Intermediate coupling	1		35916	C53	37877	C53									
Coupling screw and nut	2		19498												
Arm with ball and screw	1		30515												Finishes at Chassis No. 1644
MIXTURE CONTROL (Assembly) ..	1		4692	C54											Finishes at Chassis No. 20300
Knob	1		40290	C55											Ditto
Knob lock nut	1		3165												Ditto
Intermediate lever	1		4698	C61											Ditto
Lever bracket	1		4094	C62											Ditto
Lever bracket screw and nut	2	24	2125												Ditto
Lever fulcrum pin	1		4695												Ditto
Lever return spring	1	12	4697	C63											Ditto
Intermediate link	1		5408												Ditto
SLOW-RUNNING CONTROL (Assby.)	1		5406	C65											Ditto
Knob	1		16175												Ditto
Knob lock nut	1		3165												Ditto
Bracket	1		16177												Ditto
Set spring	1		19637												Ditto
ACCELERATOR PEDAL LEVER ..	1		3740	C66					50732	C66					
ACCELERATOR CROSS SHAFT ..	1		3654	C67					50735	C67					
Bracket O/S	1		3657	C68					3587	C68					
" N/S	1		3587	C69											
Bracket bolt	2	24	2107												
Bracket bolt nut	2	24	EZ508												
Bracket washer	2		3275												
Lever	1		5404	C70					50736	C70					
ACCELERATOR ROD	1		3772	C71											
Nut	2	24	3138												
Return spring bracket	1						50182	C72							
Return spring	1	12	3134	C73											
ACCELERATOR PAD (and adjustable rod)	1		3769	C74											
Rubber pad	1		37072												
Rod clamp bolt	1		3095	C74/1											
Rod clamp bolt nut	1	48	EZ510												

SPARE PARTS LIST

MORRIS MINOR (S.V. MODELS) 5-CWT. VAN

DESCRIPTION	No. Used	Std. Pkgs.	Commencing Chassis No. 101		Commencing Chassis No. 20301		Commencing Chassis No. 28014		Commencing Chassis No.		Commencing Chassis No.		Commencing Chassis No.		REMARKS
			Part No.	Illus. No.	Part No.	Illus. No.	Part No.	Illus. No.	Part No.	Illus. No.	Part No.	Illus. No.	Part No.	Illus. No.	
CONTROLS															
(MIXTURE AND SLOW RUNNING)															
(CABLE TYPE)															
MIXTURE CONTROL (Sub-Assembly)															
(male)	1				65572	C75									
Ditto (female)	1				65573	C76									
Knob	1				37522	C77									
Bracket	1				50739	C78									
Bracket bolt	1				2188										
Bracket bolt nut	1	24			EZ508										
Cable (10")	1				37524	C79									
Wire (23")	1				37523	C80									
Cable clamp bolt	1				50733	C81									
Cable clamp bolt nut	1				50737										
Body lock nut	1				37538	C82									
Carburetter lever pin	1				50688	C83									
Carburetter lever pin nut	1	24			EZ503										
SLOW RUNNING CONTROL (Sub-Assembly) (male)	1				37718	C84									
Ditto (female)	1				37719	C85									
Knob	1				37529	C86	65547	C86							
Knob lock nut	1				37530		65548								
Clamp bracket	1				51007										
Clamp bracket bolt	2				5141										
Clamp bracket bolt nut	2	24			EZ503										
Clamp bracket bolt washer	2				3275										
Bracket	1				51008										
Cable (14½)	1				37524	C88									
Wire (19)	1				37523	C89									
Cable clamp bolt	1				50733	C90									
Cable clamp bolt nut	1				50737										
Wire securing washer	2				37531										
Wire clamp bolt	1				50731	C91									
Wire clamp bolt nut	1				3138	C92									
Lever	1				50734	C93									
Body lock nut	1				37526	C94									
Locking ball for plunger	1						65550								
STEERING (WORM AND WORM WHEEL TYPE)															
STEERING WHEEL	1		35820	D1											Finishes at Chassis No. 20300
Set screw	1	24	50705	D2											Ditto
Key	1	12	35558												Ditto
Washer	1	24	50706	D8											Ditto
MAST	1		35888	D4											Ditto
Coupling tube	1		35312	D5											Ditto
Tube pin	4		35328												Ditto
Plug	1		35318	D6											Ditto
COLUMN	1		36868	D7											Ditto
Ball race (upper)	1	20	35309	D8											Ditto
Ball race lock nut	1		35503	D9											Ditto
Ball race (lower)	1	20	35310	D10											Ditto
Ball race ball	48	144	16053												Ditto
Ball race housing (lower)	1		35324	D11											Ditto

SPARE PARTS LIST

MORRIS MINOR (S.V. MODELS) 5-CWT. VAN

DESCRIPTION	No. Used	Std. Pkgs.	Commencing Chassis No. 101		Commencing Chassis No. 20801		Commencing Chassis No.		Commencing Chassis No.		Commencing Chassis No.		Commencing Chassis No.		REMARKS
			Part No.	Illus. No.	Part No.	Illus. No.	Part No.	Illus. No.	Part No.	Illus. No.	Part No.	Illus. No.	Part No.	Illus. No.	
STEERING (WORM AND WORM WHEEL TYPE)															
<i>—continued</i>															
Adjusting nut	1		85320	D12											Finishes at Chassis No. 20800
Adjusting nut lock washer	1	24	85321	D13											Ditto
Lock washer set screw	1		85501												Ditto
Adjusting bracket (to dash)	1		50286												Ditto
Adjusting bracket clamp	1		3450	D16											Ditto
Adjusting bracket clamp bolt	1		3478												Ditto
Bolt nut	1		85451												Ditto
Adjusting bracket stiffening piece	1		8804												Ditto
Bracket bolt (to dash)	2		2107												Ditto
Bolt nut	2	24	EZ503												Ditto
STEERING BOX (studded)	1		85326	D17											Ditto
Cover	1		85814	D18											Ditto
Cover gasket	1		85187												Ditto
Bush (long)	1	5	85315	D19											Ditto
" (short)	2	10	85316												Ditto
Stud	4		85500												Ditto
Stud nut	4	24	85451												Ditto
Worm	1		85317	D20											Ditto
Worm wheel	1		85327	D21											Ditto
Worm wheel felt washer	1	24	85320												Ditto
Thrust screw	1		80311	D22											Ditto
Thrust screw lock nut	1		80312												Ditto
Thrust screw washer	1	24	85323	D23											Ditto
Bolt	1		4669												Ditto
Bolt nut	1	48	EZ510												Ditto
Bolt bush	1	5	80202												Ditto
Vibro lock washer	1	24	85790												Ditto
STEERING LEVER	1		85179	D23											Ditto
Bolt	1	24	85537												Ditto
Bolt nut	1	24	85538												Ditto
Stop	2		85180	D24											Ditto
Stop plate	1		85181	D25											Ditto
Stop nut	2	24	85451												Ditto
STEERING (BISHOP TYPE)															
STEERING WHEEL	1			85820	D26										
Set screw	1	24		50705	D27										
Washer	1	20		50706	D28										
Key	1			85558	D29										
MAST (with cam)	1			87480	D30										
Ball cage with balls	2			87490	D31										
Ball cup for cam	2			87491	D32										
Ball race ball	48	144		16053											
COLUMN (with flange)	1			87482	D33										
Flange shim (.0024")	as req			87770	D34										
Flange bolt	4			87492	D35										
Felt bush	1			65154	D36										
Bush retainer	1			87489	D37										
Rubber ring	1			87498	D38										
Bracket (to fascia board)	1			50957	D39										
Bracket cap	1			50955	D40										
Bracket clamp screw	2			50956											
Bracket screw (to fascia board)	8			5919											

SPARE PARTS LIST

MORRIS MINOR (S.V. MODELS) 5-CWT. VAN

DESCRIPTION	No. Used	Std. Pkgs.	Commencing Chassis No. 101		Commencing Chassis No. 20801		Commencing Axle No. 8601		Commencing		Commencing		Commencing		REMARKS
			Part No.	Illus. No.	Part No.	Illus. No.	Part No.	Illus. No.	Part No.	Illus. No.	Part No.	Illus. No.	Part No.	Illus. No.	
STEERING (BISHOP TYPE)—continued															
Screw nut	8	24			EZ503										
Adjusting bracket (to dash)	1				50286										
Adjusting bracket clamp	1				51072										
Adjusting bracket stiffening piece	1				8804										
Bracket bolt	2	24			2107										
Bolt nut	2	24			EZ503										
Clamp bolt	1	24			3478										
Bolt nut	1	24			85451										
STEERING BOX	1				37479	D41									
Bolt	1				4669	D42									
Bolt nut	1	48			EZ510	D48									
Vibro lock washer	1	24			85790	D44									
Side cover	1				37483	D45									
Cover gasket	1				37487	D46									
Cover shim (.0024")	as req.				37484	D47									
" " (.005")	as req.				37485	D47									
" " (.010")	as req.				37486	D47									
Cover bolt	4				87402	D48									
Adapter for oil nipple	1				37497	D49									
ROCKER-SHAFT (with peg)	1				37481	D50									
Peg	1				37621	D51									
Felt washer	1				37488	D52									
STEERING LEVER	1				37498	D53									
Ball	1	24			35052	D54									
Ball nut	1	24			3505										
Clamp bolt	1				37494	D55									
Bolt nut	1				37495	D56									
REAR AXLE															
REAR AXLE HOUSING (Assembly)	1		36889	E1											
Spring seat and brake flange	2		35336	E2											
REAR AXLE COVER	1		37152	E3											
Gasket	1		35352	E4											
Screw	8	24	35469												
Screw nut	8	24	35451												
Dowel	8		35173												
Filler plug	1	6	CA1215	E6											
Filler plug washer	1	12	35509	E7											
Drain plug	1	12	35178	E8											
FRONT COVER (with differential bearing caps)	1		36887	E9											
Cap	2		35157	E10											
Cap stud	4		37322												
Cap stud nut	4	24	3505												
Gasket	1		35352	E11											
Dowel	2		35176												
Set screw (short)	6		35526												
" " (long)	2		36341												
Set screw nut	8	24	35451												
REAR AXLE SHAFT	2		35344	E12											
Oil retainer O/S	1						37688	E13							
" " N/S	1						37639	E14							

SPARE PARTS LIST

MORRIS MINOR (S.V. MODELS) 5-CWT. VAN

DESCRIPTION	No. Used	Std. Pkgs.	Commencing Chassis No. 101		Commencing Chassis No. 5088		Commencing Chassis No. 20301		Commencing Axle No. 6896		Commencing		Commencing		REMARKS
			Part No.	Illus. No.	Part No.	Illus. No.	Part No.	Illus. No.	Part No.	Illus. No.	Part No.	Illus. No.	Part No.	Illus. No.	
REAR AXLE <i>continued</i>															
REAR HUB	2		35343	E15											
Nut O/S	1	10	35174	E16											
" N/S	1	10	35175	E17											
Bearing	2	6	JA5716	E18											
Bearing nut lock washer	2	24	35346	E19											
Bearing housing with studs	2		37640	E20											
Housing gasket	2		35351	E21											
Felt	2	24	35347	E22					37642	E22					
Felt retainer	2	20	36810	E23					37641	E23					
PROPELLER SHAFT (with universal joint spiders)	1		35349	E24											
Fabric disc	2	6	3411	E25											
Disc bolt	12	24	3389												
Disc bolt nut	12	24	1706												
Universal joint spider (prop. shaft)	2		38077												
" " " (pinion)	1		35163	E26											
Spider slotted nut (pinion)	1		35556	E27											
Spider washer (pinion)	1		35567												
Universal joint cover	1						5430								
DRIVE GEAR AND PINION	1		35160	E28	36879	E28									
Pinion housing	1		35829	E29											
Pinion housing stud	4		35564												
Pinion housing stud nut	4		35777												
Pinion housing spring ring	1		35830	E30											
Pinion housing cap	1		35159	E31											
Pinion housing cap screw	2		35565												
Pinion housing packing	1						37150								
Pinion washer	1	24	35161	E33											
Pinion ball bearing	1	6	CA1157	E34											
Pinion roller bearing	1	6	35832	E35											
Pinion bearing distance piece	1		36525	E36											
Pinion shim (.008")	as req	24	35337	E37											
" " (.005")	as req	24	35338	E37											
" " (.007")	as req	24	35339	E37											
DIFFERENTIAL CASE	1 pr.		36134	E38											
Bolt	6	24	37153	E38/1											
Bolt nut	6	24	35777	E38/2											
Bearing	2	6	35341	E39											
Bearing nut	2	6	35167	E39/1											
Bearing nut lock washer	2	12	35342	E40											
Gear	2	6	35168	E41											
Pinion	2	12	35169	E42											
Pinion pin	1		35170	E43											
Pinion pin dowel	1		35171												

For cars prior to Axle No. 6896 always supply complete with 2 off each Part Nos. 37641 and 37642

SPARE PARTS LIST

MORRIS MINOR (S.V. MODELS) 5-GWT. VAN

DESCRIPTION	No. Used	Std. Pkgs.	Commencing Chassis No. 101		Commencing Chassis No. 13542		Commencing Chassis No. 15500		Commencing Chassis No.		Commencing Chassis No.		Commencing Chassis No.		REMARKS
			Part No.	Illus. No.	Part No.	Illus. No.	Part No.	Illus. No.	Part No.	Illus. No.	Part No.	Illus. No.	Part No.	Illus. No.	
HAND BRAKE LEVER															
HAND BRAKE LEVER.....	1		36470	G1											
Knob	1	6	35364	G3											
Stop.....	1						37326								
Spring	1		5716												
Pin.....	1		36472	G5											
Fulcrum pin	1		35301	G7											
Trigger	1		35300	G9											
Trigger knob (rubber)	1		51201												
Pawl	1	12	35223												
Pawl spring	1	6	35299	G12											
Pawl rod	1		35226	G14											
Pawl rod pin.....	1		35306												
Pawl rod jaw joint	1		35305	G18											
Pawl rod eye	1		35222	G19											
Quadrant	1		35224												
Ratchet.....	1		36089												
Ratchet collar	2		36091												
Screw (quadrant to cover)	1		35546												
Rivet (ratchet to quadrant)	2		36092												
" (grip to lever)	1		36849												
" (grip to pawl rod).....	1		36857												
" (pawl to lever).....	1		36754												
BRAKE LINKAGE															
BRAKE CROSS SHAFT (Assembly)...	1		37658	G21											
Steady bearing	1		35194	G21/1											
Bearing cap	1		35195	G21/2											
Bearing bolt (to cross member)....	2	24	971												
Bearing bolt nut	2	24	EZ504												
Bearing cap bolt	2	24	35534												
Bracket (bushed)	2		35192	G23											
Bracket bush.....	2	12	36469												
Bracket bolt	6	24	971												
Bracket bolt nut	6	24	EZ504												
Dowel	8/4		37666												Quantity reduced at Chassis No. 33779
Lever O/S	1		35191	G24											
" N/S	1		35191	G24											
" (foot)	1		36468	G27											
" (hand)	1		36468	G27											
Lever swivel pin	2	24	3464	G29											
Swivel pin nut	2	24	3327	G30											
BRAKE CABLE (Lever to cross shaft)	1		5131	G31											
Adjusting nut	1		5130	G32											
Adjusting spring	1		3458												
Trunion pin	1		5132												
BRAKE CABLE (front)	2		5136	G33	50398	G33									
Guide pulley (frame)	2	12	5128	G34											
" " (knuckle bolt)	2	12	5128	G35											
Pulley link plate	4	24	5127												
Pulley pin (frame bracket)	2	24	5137	G36											
" " (knuckle bolt)	2		5129												

SPARE PARTS LIST

MORRIS MINOR (S.V. MODELS) 5-GWT. VAN

DESCRIPTION	No. Used	Std. Pkgs.	Commencing Chassis No. 101		Commencing Chassis No. 20301		Commencing Chassis No. 21577		Commencing Chassis No. 33779		Commencing Chassis No.		Commencing Chassis No.		REMARKS	
			Part No.	Illus. No.	Part No.	Illus. No.	Part No.	Illus. No.	Part No.	Illus. No.	Part No.	Illus. No.	Part No.	Illus. No.		
BRAKE LINKAGE—continued																
Pulley bracket O/S (frame)	1		5188		50895											
" " N/S (frame)	1		5188	G36/1	50896	G36/1										
Bracket bolt	4/2	24	2128													Quantity reduced at Chassis No. 20301
Bolt nut	4/2	24	EZ504													Ditto
Retainer	2		5470													
Yoke pin	2		1781													
BRAKE CABLE (rear)																
Guide	2		3768	G87												
Guide bolt	2	24	971	G39												
Adjuster nut	4	24	3463	G40												
Adjuster spring	4	24	3453	G41												
Yoke pin	2		1781	G42												
BRAKE-ROD (to cross shaft)																
Collar	1				5853	G46										
Collar set screw	1				4567											
Adjuster spring	1	24	3453													
Adjuster nut	1	12	5130	G47												
Adjuster lock nut	1	12	5134	G48												Finishes at Chassis No. 20300
Yoke pin	1		1781													
Trunnion pin	1		5182	G49												
BRAKE PEDAL																
BRAKE PEDAL	1		37115	G50	87408	G50										
Washer	1		35561													
Pad (rubber)	1		37071													
Return spring	1		35188	G52												
Spring bracket	1		35838													
Stop	1		3509					51843								
FRONT WHEEL BRAKES																
BRAKE-DRUM	2		36473	G103												
Screw	6	48	35487	G104												
BRAKE BRACKET	2		36474	G180												
Bolt (short)	4		38079													
" (medium)	2		38080													
" (long)	2		38081													
Bolt nut	8		EZ510													
BRAKE-SHOE (Assembly)	4		35653	G131												
Liner and rivets	1	box	37760													
Liner rivet	as req.		16037													
Fulcrum pin	2	12	35233	G132												
Fulcrum pin nut	2		35486													
Fulcrum pin washer	2		35552													
Pull-off spring	2	24	35240	G133												
BRAKE CAM	2		35230	G184			87470	G134								
Key	2		35511													
Bush	2	12	35229	G135			37751	G135								
Washer (inner)	2		35231	G136												
" (outer)	2		35232	G137												
Lever O/S	1		36476													
" N/S	1		36475	G138												
Lever bolt	2	24	35554													
Bolt nut	2		36719													

SPARE PARTS LIST

MORRIS MINOR (S.V. MODELS) 5-CWT. VAN

DESCRIPTION	No. Used	Std. Pkgs.	Commencing Chassis No. 101		Commencing Chassis No. 20301		Commencing Chassis No. 21549		Commencing Chassis No.		Commencing Chassis No.		Commencing Chassis No.		REMARKS
			Part No.	Illus. No.	Part No.	Illus. No.	Part No.	Illus. No.	Part No.	Illus. No.	Part No.	Illus. No.	Part No.	Illus. No.	
REAR WHEEL BRAKES															
BRAKE-DRUM	2		86478	G108											
Screw	8	48	85401	G104											
BRAKE BRACKET O/S	1		86474	G130											
Ditto N/S	1		86474	G130											
Bolt	8		85508												
Bolt nut	8		EZ510												
BRAKE-SHOE (Assembly)	4		85658	G181											
Liner and rivets	1	box	87760												
Liner rivet	as req.		16037												
Fulcrum pin	2	12	85238	G182											
Fulcrum pin nut	2		85486												
Fulcrum pin washer	2		85552												
Pull-off spring	4/2		85240	G188											
BRAKE CAM	2		35230	G184			87470	G184							
Key	2		35511												
Bush	2	12	35229	G135			87751	G185							
Washer (inner)	2		35231	G186											
" (outer)	2		35232	G187											
Lever O/S	1		36113	G189											
" N/S	1		36113												
Lever bolt	2		36117												
Bolt nut	2		36719												
Lever swivel pin	2		3464												
Lever swivel pin nut	2		3327												
CHASSIS FRAME															
CHASSIS FRAME	1		5394	F1	5915	F1									
Side member O/S	1		*5398	F3											
" " N/S	1		*5899	F5											
Front cross member	1		*5895	F7											
Rear cross member	1		3371	F8	5905	F8									
Main cross member (front)	1		3387	F9											
" " " (rear)	1		3368	F11											
Main cross member bracket (front)	2		3349	F12											
" " " " O/S (rear)	1		3608	F14											
" " " " N/S (rear)	1		3607	F15											
Main cross member gusset	4		3326												
Rear cross tube (with plugs)	1		3500	F18											
Tube plug	2		3352												
Tube taper washer	2		3360												
Tube washer	2		4091												
Tube rod	1		3499	F19											
Rod nut	2	24	EZ513												
Dumb-iron O/S (front)	1		3682	F20											
" N/S (front)	1		3683	F21											
" (rear)	2		3498	F22											
Engine support bracket O/S (rear)	1		3734	F23											
" " " N/S (rear)	1		3735	F24											
Front spring bracket (rear)	2		3355	F25											
Rear spring bracket (front) O/S	1		3629	F26											
" " " (front) N/S	1		3628	F27											

IMPORTANT.—When ordering component parts marked * always state if required for "S" or "P" type. This information is stamped on front dumb-iron.

SPARE PARTS LIST

MORRIS MINOR (S.V. MODELS) 5-GWT. VAN

DESCRIPTION	No. Used	Std. Pkgs.	Commencing Chassis No. 101		Commencing Chassis No. 20801		Commencing Chassis No. 33770		Commencing Chassis No. 39026		Commencing Chassis No.		Commencing Chassis No.		REMARKS
			Part No.	Illus. No.	Part No.	Illus. No.	Part No.	Illus. No.	Part No.	Illus. No.	Part No.	Illus. No.	Part No.	Illus. No.	
CHASSIS FRAME—continued															
SHOCK ABSORBER BRACKET															
(rear top) O/S.....	1		3584	F28											
Ditto (rear top) N/S.....	1		3585	F30											
STEERING GEARBOX BRACKET	1		5396	F32											
Stiffener.....	1		8733												
BRACKET (petrol tank).....	2				5904										
BRACKET (starting handle).....	1		5397												
UNDERSHIELDS															
UNDERSHIELD.....	1		5400				58088								
Clip.....	4	24	2082												
Bolt.....	2	24	2128												
Bolt nut.....	2	24	EZ504												
EXHAUST PIPES AND SILENCER															
EXHAUST PIPE (and silencer unit)	1						52101	F36							
Ditto (front).....	1		5401	F38	50824	F39									Finishes at Chassis No. 33778
Gasket.....	1	24	3548	F40	50827	F41									
Flange.....	1	6	3546	F42	50826	F43									Finishes at Chassis No. 33778
Flange bolt.....	2	24	3142		3136										
Bolt nut.....	2	24	EZ504												
Sealing washer.....	1				50828	F44									
EXHAUST PIPE (rear).....	1		3638	F45											Finishes at Chassis No. 33778
Clip.....	1		3456												
Clip bolt.....	2	24	2128												
Bolt nut.....	2	24	EZ504												
SILENCER.....	1		4090	F47											Finishes at Chassis No. 33778
Clip (front).....	1		3457	F48											Ditto
" (rear).....	1		1800	F49											
Clip distance piece (rear).....	1	12	3783												
Clip bolt (front).....	1	24	071												Finishes at Chassis No. 33778
" " (rear).....	1	24	3278												
Clip bolt nut (front).....	1	24	EZ504												Finishes at Chassis No. 33778
" " " (rear).....	1	48	EZ510												
FUEL SYSTEM															
PETROLIFT.....	1						37592	F50							Finishes at Chassis No. 39025
Bolt.....	4						2554								Ditto
Bolt nut.....	4	24					EZ503								Ditto
PETROL PUMP.....	1								38065						
Bolt.....	2								5141						
PETROL TANK.....	1		3825	F51			52546	F53							
Strap assembly.....	2						50008	F54							
Strap (front).....	2		3620	F55											Finishes at Chassis No. 33778
" (rear).....	2		3619	F56											Ditto
Strap liner.....	2		3618				50004								
Strap end piece nut.....	4	24	EZ504				EZ510								
Strap bolt and nut (to dash).....	4	24	3615												Finishes at Chassis No. 33778
Strap washer (to dash).....	2		3235												Ditto
Support bracket (front).....	2						5954								

SPARE PARTS LIST

MORRIS MINOR (S.V. MODELS) 5-CWT. VAN

DESCRIPTION	No. Used	Std. Pkgs.	Commencing Chassis No. 101		Commencing Chassis No. 5596		Commencing Chassis No. 33779		Commencing Chassis No. 39026		Commencing Chassis No.		Commencing Chassis No.		REMARKS
			Part No.	Illus. No.	Part No.	Illus. No.	Part No.	Illus. No.	Part No.	Illus. No.	Part No.	Illus. No.	Part No.	Illus. No.	
FUEL SYSTEM—continued															
Filler cap	1	12	4845	F57			50839	F59							
Filler cap flange	1		35842												Finishes at Chassis No. 33778
Filler spout (on body)	1						52052	F61/1							
Spout hose	1						51821	F62							
Hose clip	2						LA7171	F68							
Tap	1		3829												Finishes at Chassis No. 33778
Tap washer (fibre)	1	24	2448												Ditto
" " (cork)	1		19640												Ditto
Air vent assembly	1						50897								
Strainer cap assembly	1						5706	F64							
Strainer cap gasket	1						5709								
Attachment (gauge)	1						37601								
Attachment screw	6						5297								
Adapter plate	1						5699								
PIPE (Assembly)	1		5414												Finishes at Chassis No. 33778
Ditto (Petrolift to carburetter)	1						50948								Finishes at Chassis No. 39025
Ditto (pump to carburetter)	1								52880						
Ditto (tank to Petrolift)	1						50164								Finishes at Chassis No. 39025
Ditto (tank to pump)	1								52856						
Union (right angle) (supply pipe)	1						4428								
Union nut	2/1		10427				2715								
Union nut (supply pipe)	1						3213								
Olive	1						2718								
Banjo adapter	1								52079						
RADIATOR															
RADIATOR	1		5409	F65	50143		52195								
Cap	1	6	5421	F69			5917	F69							
Cap rubber ring	1	12	1122				50261								
Badge	1		35846												
Drain tap	1	6	38078												
Drain plug	1	18	16138												
Drain tap and plug washer (fibre)	1	24	16139												
Mascot wings	1		36139	F70	19496	F71									
Calormeter	1		36138	F72	45759	F73									
Calormeter washer (rubber)	1		50114												
" " (fibre)	1		50113												
" " (steel)	1		50112												
" " (spring)	1		65139												
Hose (top)	1		5407	F74											
" (bottom)	1		5408	F75	52753	F76									
Hose clip (1 1/4") (bottom)	2	12	2611												
" " (top)	2	12	2611				50287								
Washer (rubber) (to frame)	3/4	24	4772												Quantity increased at Chassis No. 20301
Washer with flat (rubber) (to frame)															
O/S (lower)	1	24	5427												Finishes at Chassis No. 20301
Washer (steel) (to frame)	1/2	24	3716												Quantity increased at Chassis No. 20301
" (steel) (to frame)	2						3694								
" (steel) (to frame) O/S (lower)	1	24	5423												Finishes at Chassis No. 20300
Nut (to frame)	2	48	EZ510												
Lock nut (to frame)	2	48	19167												

SPARE PARTS LIST

MORRIS MINOR (S.V. MODELS) 5-CWT. VAN

DESCRIPTION	No. Used	Std. Pkgs.	Commencing Chassis No. 101		Commencing Chassis No. 5536		Commencing Chassis No. 20801		Commencing Chassis No. 33779		Commencing Chassis No.		Commencing Chassis No.		REMARKS	
			Part No.	Illus. No.	Part No.	Illus. No.	Part No.	Illus. No.	Part No.	Illus. No.	Part No.	Illus. No.	Part No.	Illus. No.		
RADIATOR—continued																
Stay rod	2		4944				51101		5918							
Stay rod nut	6/4	24	EZ504													Quantity reduced at Chassis No. 38779
Stay rod bracket O/S	1		4977													Finishes at Chassis No. 33778
" " " N/S	1		4978													Ditto
Stay rod bracket bolt with nut	2	24	3187													
Stay rod yoke	2/4	12	1765													Quantity increased at Chassis No. 33779
Stay rod yoke bolt	2/4		2107													Ditto
Stay rod yoke bolt nut	2/4	24	EZ508													Ditto
Stay rod eye bolt	2								4961							
Stay rod eye bolt nut	2	24							EZ504							
BONNET																
BONNET (unpainted)	1		3380													
Packing	2		3614													
Body protector (front)	2	24	4007													
" " (rear)	2	24	4708													
Body protector rivet	4		35758													
Body protector washer	8		35759													
Dome protector stud (top)	4	24	19106													
Handle	2	24	36147													
Handle fixing screw with nut	2		16468													
Fastener	2	10	36146													
Fastener stud	2	24	19098													
Fastener fixing screw with nut	6	48	36080													
Support	1	12	4769						50402							
Support plate	1		3611													
Support bolt	2	24	1985						3220							
Open rest O/S	1						50845									
" " N/S	1						50846									
Hinge rod	1		36392													
NUMBER-PLATES																
NUMBER-PLATE (front)	1		50276													
Screw and nut (to bar)	2		3825				51114									
Support bar	1		5416													
Support bar bolt	2	24	3140													
Support bar bolt nut	2	24	EZ504													
NUMBER-PLATE (rear)	1		5425													
Bracket	2		1462		5417											
Bracket screw and nut	2	24	3825													
Bolt and nut (to body)	4	24	3298													Finishes at Chassis No. 5535
Support clip	2								5971							
Support clip bolt	2								2795							
Support clip bolt nut	2								EZ504							
Bolt (to bracket)	2								1985							
Bolt nut	4								EZ503							

SPARE PARTS LIST

MORRIS MINOR (S.V. MODELS) 5-CWT. VAN

DESCRIPTION	Commencing Chassis No. 101		Commencing Chassis No. 20801		Commencing Chassis No.		Commencing Chassis No.		Commencing Chassis No.		Commencing Chassis No.		Commencing Chassis No.		REMARKS
	No. Used	Std. Pkgs.	Part No.	Illus. No.	Part No.	Illus. No.	Part No.	Illus. No.	Part No.	Illus. No.	Part No.	Illus. No.	Part No.	Illus. No.	
SPRINGS															
FRONT SPRING (Assembly) O/S	1		4030		50185										
Ditto N/S	1		36189		37104										
Top rebound leaf	2		36052		*37151										
" " "	2				†37188										
Second rebound leaf	2		36053		*37185										
" " "	2				†37184										
Main or third leaf	2		36344												
Fourth leaf	2		36345		37136										
Fifth leaf	2		37754		37137										
Sixth leaf	2		36055		37138										
Seventh leaf	2		36347		37139										
Leaf clip assembly (small)	4	12	36329		37880										
" " " (large)	4	12	35757		37879										
Clip bolt, nut and distance piece	8	24	35661												
Clip screw	8				35664										
Clip distance piece	8				38019										
Packing	2	12	3667												
Top clamp plate	2		36376												
Bottom clamp plate O/S	1		36377												
" " " N/S	1		36378												
Clamp plate screw	4	24	36368												
Bolt (to axle)	8	24	4941												
Bolt nut	8	24	FZ504												
Bolt lock nut	8	24	35855												
Rubber buffer	2	12	4641												
Buffer plate	2	12	4642												
Shackle	2		3328												
Shackle pin (dumb-iron)	2	12	3501												
" " (rear end)	4	12	3347												
Shackle pin nut	6	24	3454												
Shackle pin washer (dumb-iron)	2	24	4054												
" " " (rear end)	4	24	976												
REAR SPRING (Assembly) O/S	1		52631												
Ditto N/S	1		52632												
Top rebound leaf	2		38082												
Second rebound leaf	2		38083												
Main or third leaf	2		36371												
Fourth leaf	2		36372												
Fifth leaf	2		36059												
Sixth leaf	2		36060												
Seventh leaf	2		36061												
Eighth leaf	2		36374												
Ninth leaf	2		36375												
Leaf clip assembly (small)	4	12	35756		38103										
" " " (large)	4	12	36366		38102										
Clip bolt, nut and distance piece	8	24	35661												
Clip screw	8				35664										
Clip distance piece	8				38019										
Top clamp plate	2		35242												
Bottom clamp plate O/S	1		35658												
" " " N/S	1		35659												
Clamp plate screw	4	24	36367												

Finishes at Chassis No. 20800

Finishes at Chassis No. 35203

* Dowel raised on end for leaf clips
† Drilled for leaf clip dowel

SPARE PARTS LIST

MORRIS MINOR (S.V. MODELS) 5-CWT. VAN

DESCRIPTION	No. Used	Std. Pkgs.	Commencing Chassis No. 101		Commencing Chassis No. 20301		Commencing Chassis No. 20720		Commencing Chassis No. 33779		Commencing Chassis No.		Commencing Chassis No.		REMARKS
			Part No.	Illus. No.	Part No.	Illus. No.	Part No.	Illus. No.	Part No.	Illus. No.	Part No.	Illus. No.	Part No.	Illus. No.	
SPRINGS—continued															
Clip	4	12	4042												
Clip nut	8	24	EZ504												
Clip lock nut	8	24	35855												
Shackle	2		3328												
Shackle pin (front end)	2	12	3503												
" " (rear end)	4	12	3347												
Shackle pin lock washer (front end)	2	24	3609												
Shackle pin washer (rear end)	4	24	076												
Shackle pin nut	4	24	3454												
SHOCK ABSORBER (FRICTION)															
SHOCK ABSORBER O/S (front)	1		36232					37536							
Ditto N/S (front)	1		36233					37537							
Ditto O/S (rear)	1		36531					37538							
Ditto N/S (rear)	1		36532					37539							
Lining	4		36813												
Bush pin (front upper)	2		4762												
" " (rear upper)	2		4761												
" " (lower)	4		4761												
Bush pin nut	8	24	1819												
Bush pin clamp (top)	4		40202												
" " " (bottom)	4		40203												
Bush pin clamp bolt and nut	8		10437												
Rubber bush (split)	8		40261												
Rubber bush for centre plate bolt	4							19784							
Centre plate bolt nut	4							19897							
Fabric disc	4							37541							
Drum band with liner	4		36758												
Drum spring	4		36314												
Spider spring	4							37542							
Adjusting stud	4		19882					37540							
Adjusting stud brass nut	4		19883												
Adjusting stud spring (front)	2		19884					37629							
" " " (rear)	2		19884					37630							
WHEELS															
WHEEL (Enamelled)	5		36462		37478			37817							
Rim band (rubber)	5		35891												
Hub cover	5		5256		50941										
Hub cover securing screw	5				50945										
Hub cover securing screw washer	5				50195										
Hub cover securing nut (on wheel)	5				37767										
Stud (front)	6	24	35254		36990										
" " (rear)	6	24	35255												
Stud nut	12	48	4765		50225										
Spoke with nipple (inner short)	60		36463												Finishes at Chassis No. 20300
" " " (inner long)	60		36464												Ditto
" " " (inner)	120				37069			38021							
" " " (outer)	60		36194		37068			38020							
Spoke nipple for Part No. 36194	60	144	36196												Finishes at Chassis No. 20300
Spoke nipple	120/ 180	144	36504												

SPARE PARTS LIST

MORRIS MINOR (S.V. MODELS) 5-CWT. VAN

DESCRIPTION	No. Used	Std. Pkgs.	Commencing Chassis No. 101		Commencing Chassis No. 20801		Commencing Chassis No. 33779		Commencing Chassis No.		Commencing Chassis No.		Commencing Chassis No.		REMARKS
			Part No.	Illus. No.	Part No.	Illus. No.	Part No.	Illus. No.	Part No.	Illus. No.	Part No.	Illus. No.	Part No.	Illus. No.	
WHEELS—continued															
SPARE WHEEL CENTRE (Wood)	1	37676												
Bolt	1	35750												
Bolt nut	1	35848												
Hub with studs	1	3602												
Hub stud	8	3596												
Hub stud nut	8	4765		50225										
BATTERY AND CARRIER															
BATTERY (6-volt) (wet)	1	36618												
Ditto (6-volt) (dry)	1	36619												
Fixing bolt	2	35721												
Fixing bolt nut	2	16585												
Master switch	1						37980							
Master switch bracket	1						52245							
Master switch earthing strip	1						52237							
Master switch screw and nut	2						51900							
Master switch bracket bolt	2						2128							
Master switch bracket bolt nut	2						EZ504							
Carrier	1	8627												
Carrier support	1	3603												
Carrier bolt (to cross member)	3	24	1410												
" " (to frame)	3	24	1410												
Bolt nut	6	24	EZ502												
Terminal lug (positive)	1	18875												
" " (negative)	1	17622												
WINGS															
FRONT WING O/S	1	5124												
Ditto N/S	1	5125												
Bolt (to frame)	6	2554												
Bolt nut	6	24	EZ508												
Bolt and nut (to stay)	4	24	1360												
" " " (to stay) (top)	2	24	4075												
" " " (to securing strip)	6	24	3187		1360										
Washer (fibre) (to stay)	8/4	48	1020												Quantity reduced at Chassis No. 20801
" (steel) (to frame)	6	2182												
Stay O/S	1	3334												
" N/S	1	3335												
Stay bolt (to frame)	4	24	971												
Stay bolt nut	4	24	EZ504												
Securing strip	2	3595												
Securing strip bolt and nut	6	24	3190												
REAR WING O/S	1	5126												
Ditto N/S	1	5126												
SPLASHERS AND BONNET PLATFORM															
FRONT SPLASHER	1	3378												
Bolt	2	24	2128												
Bolt nut	2	24	EZ504												
Washer (to frame)	2	1404												
Piping (dumb-iron)	2						52672							

SPARE PARTS LIST

MORRIS MINOR (S.V. MODELS) 5-CWT. VAN

DESCRIPTION	No. Used	Std. Pkgs.	Commencing Chassis No. 101		Commencing Chassis No. 1444		Commencing Chassis No. 5090		Commencing Chassis No. 5588		Commencing Chassis No. 20301		Commencing Chassis No. 38779		REMARKS
			Part No.	Illus. No.	Part No.	Illus. No.	Part No.	Illus. No.	Part No.	Illus. No.	Part No.	Illus. No.	Part No.	Illus. No.	
SPLASHERS AND BONNET PLATFORM—contd.															
BONNET PLATFORM O/S	1		4770								51040				
Ditto N/S	1		4771								51041				
Rubber block	2	24	8751												
Bolt	2	24	8281												
Bolt O/S (rear)	1										2554		2107		
" N/S (rear)	1										2554				
Bolt nut	2/4	24	EZ508												
Washer ($\frac{9}{32} \times 1 \times .064$)	2		2132												
" ($\frac{11}{32} \times 1 \frac{1}{16} \times \frac{1}{2}$)	2		3716												Quantity increased at Chassis No. 20301
LAMP SUPPORT															
HEADLAMP BRACKET O/S	1		5410												
Ditto N/S	1		5410												
Reinforcement strip	2		5418												
Bolt and nut	6	24	5428												
RUNNING-BOARDS															
RUNNING-BOARD O/S (complete)	1		13690						37209		37589		87957		
Ditto N/S (complete)	1		13091						37210		37590		87958		
Pyramid rubber	as req.		EB2886												
Angle beading (55°)	2	lths.	8677								26997		28642		
Bolt	12										29559				
DASH, SHROUD AND FOOTBOARDS															
DASH SHROUD	1		3686										52482		
Bolt (to dash)	4/16	24	3452												Quantity increased at Chassis No. 20301
Bolt nut	4/16	24	EZ501												Ditto
DASHBOARD	1		5402										51368		
Side support O/S	1		3874										51996		
" " N/S	1		3875										51997		
Side support bolt (to dash)	10	24	971												Finishes at Chassis No. 33778
" " " (to frame)	4	24	971												Quantity reduced at Chassis No. 33779
Side support bolt nut	4/10	24	EZ504												
Side support packing piece	2										51189				
Washer (to dash)	8		3285												
" (to frame)	4										50248				Finishes at Chassis No. 33778
Mounting bracket	2												51341		
Mounting bracket bolt (to support)	4	24											971		
Ditto (to side support)	4												2128		
Mounting bracket bolt nut	8	24											EZ504		
SCUTTLE FRAME	1		3635												
Scuttle jointing (top)	1		3613												
" " (side)	2		3610												
INSTRUMENT PANEL (complete with switchbox, ammeter, warning light and switch levers)	1		36612			36894		37080		37511					
SWITCHBOX	1		36613		55132										
Securing spring	1				36820			55202							
Lever	1							65529							
Key	2		86614					55131							
AMMETER	1		36646												

SPARE PARTS LIST

MORRIS MINOR (S.V. MODELS) 5-GWT. VAN

DESCRIPTION	No. Used	Std. Pkgs.	Commencing	Commencing	Commencing	Commencing	Commencing	Commencing	Commencing	REMARKS
			Chassis No. 101	Chassis No. 5586	Chassis No. 20301	Chassis No. 33779	Chassis No.	Chassis No.	Chassis No.	
DASH, SHROUD AND FOOTBOARDS—contd.										
WARNING LIGHT	1		36615							
Cover with glass	1			41210						
Bulb	1		35586	40589						
FUSEBOX (and cut-out)	1		36616				37815			
Cover	1						55390			
Fuse (6 amp.)	2						45865			
" (25 amp.)	2		45046							
Bolt	2		3224							
Bolt nut	2		3188							
CUT-OUT	1						37816			
Cover	1						55389			
JUNCTION BOX	1			19470						
Screw and nut	2			5804						
PETROL GAUGE	1						37613			
SPEEDOMETER (complete)	1		36631	37033						
Bridge piece	1		36632							
Bridge piece nut	1		36638							
Cable (complete)	1		36636							
" (inner)	1		36637							
" (outer)	1		36638							
OIL GAUGE (complete)	1		36621				37858			
Bridge piece	1		36622							
Bridge piece nut	1		16703							
Pipe	1		1442				51750			
Pipe washer (leather)	1		19588							Finishes at Chassis No. 33778
" " (fibre)	1		3837							Ditto
Pipe union nut	1						51287			
Pipe union olive	1						51288			
HARNES CABLE (complete) (main)	1						37916			
FOOTBOARD SUPPORT O/S	1		3737							
Ditto N/S	1		3736							
Bolt (to frame)	2	24	2188							
Bolt nut	2	24	EZ503							
Bolt (to dash)	2	24	1410				5141			
Bolt nut	2	24	EZ502				EZ503			
Washer (to dash)	2		3275							Finishes at Chassis No. 33778
FERRULE (Wiring on dash)	1						50227			
CLIPS										
CLIP (Cable to frame)	4/5/3	24	1938							Quantity increased at Chassis No. 5586 and decreased at Chassis No. 20301
Ditto (Cable to frame)	1/3	24	3279							Quantity increased at Chassis No. 20301
Ditto (Cable to dash)	2	24	3684							
Ditto (Cable to dash)	2	24	2131							
Ditto (Dip switch cable to dash)	1	24		3279						
Ditto (Dip switch cable)	1	24	3802			50192				
Ditto (Horn cable)	3	24		3802		50192				
Ditto (Tail-lamp cable to frame)	3/5	24	5085				51093			Quantity increased at Chassis No. 20301
Ditto (Tail-lamp and petrol gauge cable)	6	24					5258			
Ditto (Harness to front cross member)	2						52080			
Ditto (Harness cable)	6						5365			
Ditto (Headlamp cable)	2					4824				

SPARE PARTS LIST

MORRIS MINOR (S.V. MODELS) 5-CWT. VAN

DESCRIPTION	No. Used	Std. Pkgs.	Commencing Chassis No. 101		Commencing Chassis No. 5536		Commencing Chassis No. 20301		Commencing Chassis No. 31761		Commencing Chassis No. 33779		Commencing Chassis No.		Commencing Chassis No.		REMARKS	
			Part No.	Illus. No.	Part No.	Illus. No.	Part No.	Illus. No.	Part No.	Illus. No.	Part No.	Illus. No.	Part No.	Illus. No.	Part No.	Illus. No.		
CLIPS—continued																		
CLIP (Cable to steering) (bottom)	1																	
Ditto (Oil pipe)	2																	
Ditto (Oil tin)	1																	
Ditto (Jack handle)	1																	
Ditto (Jack handle)	1																	
Ditto (Petrol pipe to frame)	2																	
Ditto (Petrol pipe)	2																	
Bolt for Part Nos. 2131, 50875, 50180 and 50812	2/8/6																	Quantity increased at Chassis Nos. 5536 & 83779
Bolt for Part No. 3279	1	24	1410															
Bolt (clip to frame)	1	24																
Bolt for Part Nos. 50812, 5865	7	24																
Bolt for Part No. 3161	2																	
Bolt for Part No. 8243	2																	
Nut for Part No. 1410	1	24	EZ502															Finishes at Chassis No. 5535
Nut for Part Nos. 2554, 2188, 2107, 1985 and 5141	4/17	24																
Nut for Part No. 3189	2																	
TOOLS																		
Box spanner ($\frac{3}{8}$ " x $\frac{7}{8}$ ")	1																	
" " ($\frac{1}{2}$ " x $\frac{9}{16}$ ")	1																	
" " ($\frac{5}{8}$ " x $\frac{1}{2}$ ")	1																	
Double-ended spanner ($\frac{1}{8}$ " x $\frac{3}{8}$ ")	1																	
" " ($\frac{3}{16}$ " x $\frac{1}{4}$ ")	1																	
Distributor spanner	1																	
Hammer	1																	
Jack (less handle)	1																	
Jack handle	1																	
Oilcan	1																	
Pliers	1 pr.																	
Adjustable spanner	1																	
Single-ended spanner ($\frac{7}{16}$ ")	1																	
Lubricating pump	1																	
Pump body	1																	
Nozzle complete	1																	
Nozzle cap	1																	
Body end cap	1																	
Plunger with chain	1																	
Screwdriver	1																	
Sparking plug box spanner	1																	
Tommy bar	1																	
Tappet spanner	1																	
Tappet spanner with feeler gauge	1																	
Tyre inflator complete	1																	
Wheel brace	1																	
Tyre lever	2																	

SPARE PARTS LIST

MORRIS MINOR (S.V. MODELS) 5-CWT. VAN

DESCRIPTION	No. Used	Std. Pkgs.	Commencing	Commencing	Commencing	Commencing	Commencing	Commencing	Commencing	REMARKS
			Chassis No. 101	Chassis No. 33779	Chassis No.	Chassis No.	Chassis No.	Chassis No.	Chassis No.	
CARBURETTER										
CARBURETTER (complete)	1		36129	87768						
Body	1		36131	H1						
Float-chamber	1		36130	H2/1	65213	H2				
Float-chamber holding-up bolt	1		36649	H3						
Float-chamber holding-up bolt washer (top) (fibre)	1		45123	H4						
Float-chamber holding-up bolt washer (bottom) (fibre)	1		CB2195	H5						
Float balance lever	2/1		16989	H6/2	65218	H6				
Float balance lever pin	1				65478	H6/1				
Float-chamber cover	1		16987	H7	65216	H8				
Float-chamber cover spring	1		21172	H9						Finishes at Chassis No. 33778
Float-chamber cover spring distance piece	1		21173	H10						Ditto
Float-chamber cover spring screw	1		21174	H11						Ditto
Float-chamber cover stud	1				65214	H12				
Float-chamber cover securing nut	1				65217	H13				
Securing nut fibre washer	1				36846					
Float	1		16986	H14	65215	H15				
Float needle	1		16988	H16	65219	H17				
Float needle seat	1				65220	H18				
Float tickler pin	1				65221	H19				
Float tickler spring	1				65222	H20				
Suction chamber with piston and rod	1		35284	H21						
Suction chamber screw (long)	1/2		21159	H22						Quantity increased at Chassis No. 33779
" " (short)	1		21160	H23						Finishes at Chassis No. 33778
Suction chamber oil cap	1		21158	H24						
JET (with head)	1		21177	H25	41163	H26				
Washer (top) (copper)	2		21154	H27						
" (bottom) (copper)	1		45186	H28						
Screw	1		21145	H29						
Screw washer (top) (brass)	1		21149	H30						
" " (bottom) (cork)	1		21150	H31						
Adjusting nut	1		21153	H32						
Adjusting spring	1		21146	H33						
Lever	1		16980	H34	41162	H35				
Lever spring	1				41239	H36				
Link	1		45120	H37						
Link pin (short)	2		35858	H38						
" " (long)	1		21142	H39						
Needle	1		16982	H40						
Needle screw	1		85859	H41						
Body (top half)	1		21147	H42						
" (bottom half)	1		21148	H43						
Gland spring	1		21155	H44	65223	H45				
Gland washer (brass)	1		21151	H46						
" " (cork)	1		21152	H47						
FILTER	1		21175	H48						

SPARE PARTS LIST

MORRIS MINOR (S.V. MODELS) 5-CWT. VAN

DESCRIPTION	No. Used	Std. Pkgs.	Commencing Chassis No. 101		Commencing Chassis No. 182		Commencing Chassis No. 5090		Commencing Chassis No. 5536		Commencing Chassis No. 20301		Commencing Chassis No. 33779		REMARKS	
			Part No.	Illus. No.	Part No.	Illus. No.	Part No.	Illus. No.	Part No.	Illus. No.	Part No.	Illus. No.	Part No.	Illus. No.		
CARBURETTOR—continued																
THROTTLE LEVER	1		35296	H49												
Spindle	1		35824	H50												
Disc	1		35297	H60												
Disc screw	2		21188	H61							45118		H61			
Stop screw	1		35823	H62												
Stop screw spring	1		35584	H63												
UNION (double-ended)	1		21176	H65											Finishes at Chassis No. 33779	
Bolt	1										45684		H64			
Washer (fibre)	1		21168	H66												
WINDSCREEN WIPER TUBE	1		35285													
LAMPS																
HEAD AND SIDELAMP (combined)	2		36595													37062
Reflector complete	2		36597													37173
Rim with glass	2		37887													37388
Rim securing screw	2		40606													
Rim securing angle piece	2		36601													
Glass	2		35576													37067
Glass cork packing	2		36599													
Bulb (head)	2	12	35585													37066
" (side)	2	12	35586													
Securing bolt with nut and washer	2		36600													
TAIL-LAMP (complete) (less bulb)	1		18341			36603										
Ruby light portion	1		37597													
Base portion	1		16609			36604										
Bulb	1	12	35586													
Bulb holder interior with cap and ferrule	1		18692													Finishes at Chassis No. 181
Bulb holder spring	1					36607										
Cable contact insulating washer (fibre)	2					36606										
Cable retainer	1										50623					
DASHLAMP (complete)	1		18429													Finishes at Chassis No. 5089
Front portion	1		18480				36895									
Base portion	1		18431													Finishes at Chassis No. 5089
Bulb	1	12	36608				35586									
ELECTRIC HORN																
HORN	1		35588								37507					
Bracket	1										37517					
Bracket bolt	2										2188					
Bracket bolt nut	2	24									EZ508					
Push and dipper switch	1								37065		37518			37913		
Push and dipper switch screw	2								37514							
Push bracket (assembly)	1													37912		
Push bracket cap	1													50955		
Push bracket cap screw	2													50956		
Push with bracket clip, screws and nuts	1		35711													Finishes at Chassis No. 2868
Push only	1		35589													Finishes at Chassis No. 5635
Push bracket and clip	1		3671													Finishes at Chassis No. 2868
Push screw and nut (to bracket)	2		2517													Ditto

SPARE PARTS LIST

MORRIS MINOR (S.V. MODELS) 5-CWT. VAN

DESCRIPTION	No. Used	Std. Pkgs.	Commencing Chassis No. 101		Commencing Chassis No. 5586		Commencing Chassis No. 33779		Commencing Chassis No.		Commencing Chassis No.		Commencing Chassis No.		REMARKS
			Part No.	Illus. No.	Part No.	Illus. No.	Part No.	Illus. No.	Part No.	Illus. No.	Part No.	Illus. No.	Part No.	Illus. No.	
COIL AND SPARKING PLUGS															
COIL	1		65086	J1											
Strap	1		65088	J2	65090	J2									
Terminal nut	1		19862	J3											
Bolt	2		2554												
Bolt nut	2		EZ508												Finishes at Chassis No. 5585
Washer	2		3275												Ditto
SPARKING PLUG	4		65082				65656								Ditto
DYNAMO															
DYNAMO	1		36662				37813								
Armature	1		36831	J4											
Driving end bracket assembly	1		36584	J5											
Driving end spacer	1		36589	J6											
Driving end felt	1		36590	J7											
Driving end felt retainer	1		36591	J8											
Driving end bearing	1		36586	J9											
Driving end bearing circlip	2		36587	J10											
Driving end bearing plate	1		36588	J11											
Commutator end bracket assembly	1		36665	J12											
Commutator end bracket bush	1		36581	J13											
Commutator end wick and spring	1		36582	J14											
Commutator end wick container	1		36583	J15											
Band cover	1		36592	J16											
Band cover screw	1		35620	J17											
Band cover screw nut	1		35021	J18											
Brush (main)	2		36578	J19											
" (control)	1		36579	J20											
Brush spring (main)	2		36593	J21											
" " (control)	1		36780	J22											
Resistance unit	1		36575												Finishes at Chassis No. 33778
Resistance wire	1		36576												Ditto
Fuse (8 amp.)	2		36798												Ditto
Terminal block assembly	1						38028	J28							

Type D41 (1) Type D4-3 Type D4A-9

DISTRIBUTOR																
DISTRIBUTOR	1						37814									Supersedes all previous types.
Cover	1		36386	J24	37169	J24	37169	J24								
Lubricator	1		35416	J25	35416	J25	37854	J25								
Condenser assembly	1		36383	J26	37168	J26	37168	J26								
Screw with contact	1		35440	J27	35440	J27	35440	J27								
Contact breaker assembly	1		45698	J28	37338	J28	37338	J28								
Arm with spring and contact	1		35445	J29	37171	J29	37171	J29								
Carbon and spring	1				41187		41187									
Driven dog	1		36119	J30	36119	J30	36119	J30								
Timing lever	1		36361	J31	36361	J31	36361	J31								
Lever set screw	1		36394		36394		36394									
Lever washer	1		36367		36367		36367									
Terminal nut	5				19862		65687	J32								
Terminal cable end	5				37187		37187									

SPARE PARTS LIST

MORRIS MINOR (S.V. MODELS) 5-CWT. VAN

DESCRIPTION	No. Used	Std. Pkgs.	Commencing Chassis No. 101		Commencing Chassis No. 5586		Commencing Chassis No. 20801		Commencing Chassis No. 83779		Commencing Chassis No.		Commencing Chassis No.		REMARKS
			Part No.	Illus. No.	Part No.	Illus. No.	Part No.	Illus. No.	Part No.	Illus. No.	Part No.	Illus. No.	Part No.	Illus. No.	
STARTER															
STARTER	1		36570												
Armature	1		36860	K1											
Driving end bracket	1		36571	K2											
Driving end bush	1		86572												
Driving end felt	1		36836												
Commutator end bracket assembly	1		36573	K3											
Bracket bush	1		85618	K4											
Band cover	1		85619	K5											
Cover screw	1		85620	K6											
Screw nut	1		35821												
Buffer sleeve	2		35624												
Buffer washer	1		35625												
Pinion and sleeve	1		30396	K7											
Brush	2		85618	K8											
Brush box	2		85680	K9											
Brush spring	2		85614	K10											
Main spring	1		86530	K11											
Spring cup	1		85628												
Bolt	2	24	20188												
"	1		86784												
Switch	1		45186		87031										
Switch knob	1		16788		87106										
Switch knob screw	1		16789												Finishes at Chassis No. 5585
Switch bracket	1		5505												
Switch bracket bolt	1		1265												
Switch screw and nut	8		2124												
WINDSCREEN															
WINDSCREEN	1		25941			28466		28664							
Glass	1		25887			28467									
Slat complete O/S	1		85644												Finishes at Chassis No. 20800
" " N/S	1		85645												Ditto
Quadrant O/S	1		86165			19112									Finishes at Chassis No. 33778
" " N/S	1		86166			19113									Ditto
Quadrant blade and pull	2							65886							
Quadrant slide channel	2							65887							
Quadrant slide with stud	2							65888							
Quadrant slide stud wing nut	2							65889							
Quadrant screw	2		19111												Finishes at Chassis No. 33778
Quadrant screw nut	2		17649												Ditto
Quadrant washer	4		18844												Ditto
Frame screw	4		85646												
Finger pull	1		87294												Finishes at Chassis No. 33778
Action wing nut	2		19110												Ditto
Weather rubber	1	lgth	65454					37982							
WINDSCREEN WIPER															
WIPER (complete)	1		19415		87164										
Arm and squeegee	1		EA525		87165										
Suction tube	1		EA528												
Rubber tubing	as req		EA562												
Tube clip	4		3277												

SPARE PARTS LIST

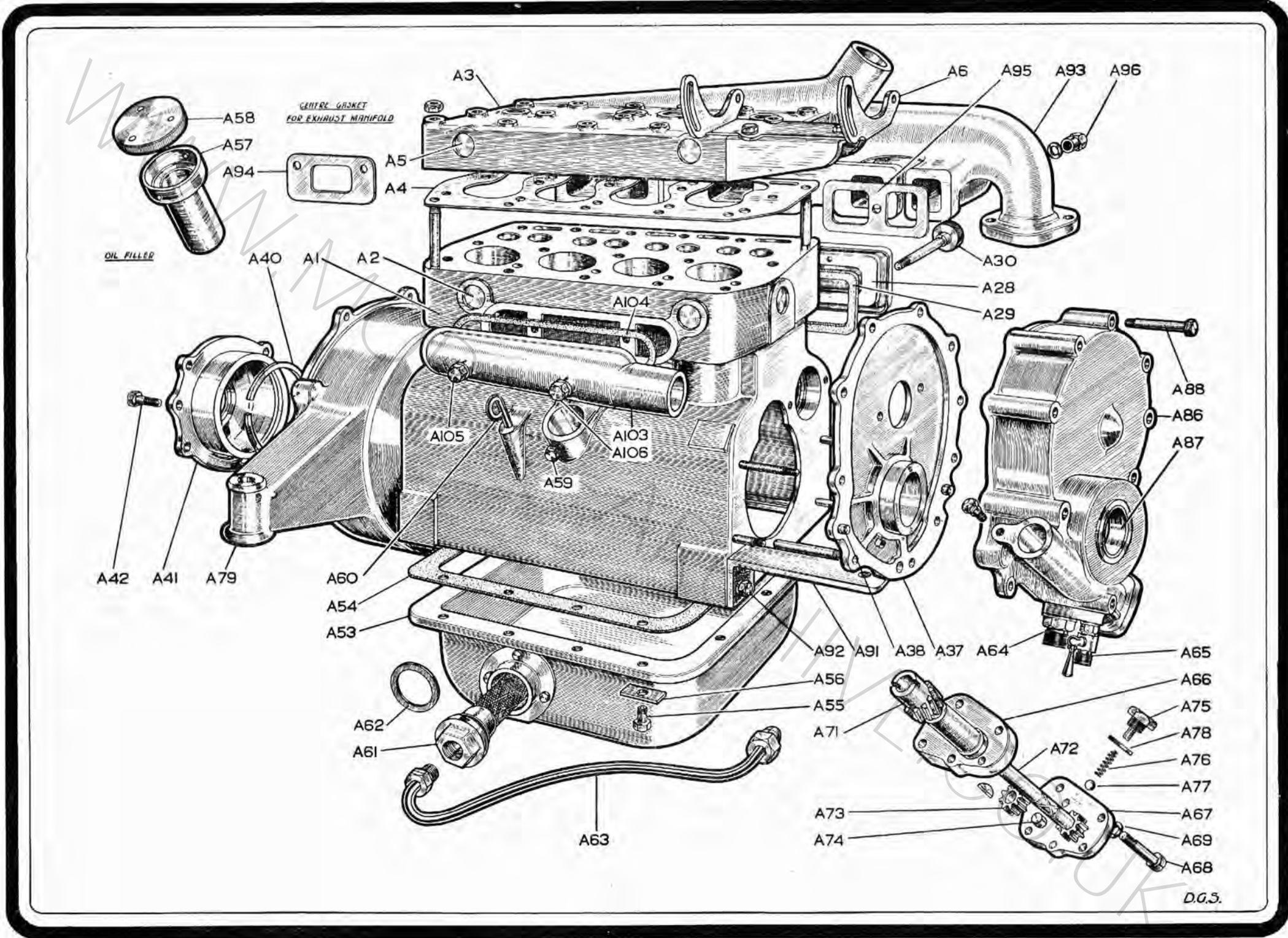
MORRIS MINOR (S.V. MODELS) 5-CWT. VAN

DESCRIPTION	No. Used	Std. Pkgs.	Commencing Chassis No. 101		Commencing Chassis No. 5536		Commencing Chassis No. 20301		Commencing Chassis No. 38779		Commencing Chassis No.		Commencing Chassis No.		REMARKS
			Part No.	Illus. No.	Part No.	Illus. No.	Part No.	Illus. No.	Part No.	Illus. No.	Part No.	Illus. No.	Part No.	Illus. No.	
BODY GLASSES															
DOOR GLASS (front)	2		25907							28687					
Ditto (rear)	2		25908							28688					
DOOR LOCKS															
DOOR LOCK O/S	1		36486												
Ditto N/S	1		36487		37228										
Outside handle O/S	1		19124		26030		28527			61202					
" " N/S	1		19124		26018		28519			61201					
" " (rear)	1				26033		28556								
Key	2				19155		65328								
" (rear)	2				19155		65328								
BUDGET LOCK R.H.	1		19227				36307			19227					
Ditto L.H.	1		19226				65428			19226					
Escutcheon	1		19159												Finishes at Chassis No. 5535
Key	1		28761												
STRIKING PLATE	2		38778							38105					
DOOR HINGES															
DOOR HINGE (top) O/S	1		36480							37986					
Ditto (top) N/S	1		36481							37987					
Ditto (centre) O/S	1		36482							37988					
Ditto (centre) N/S	1		36483							37989					
Ditto (bottom) O/S	1		36484							37940					
Ditto (bottom) N/S	1		36485							37941					
Ditto (rear top) O/S	1		36213							65899					
Ditto (rear top) N/S	1		36213							65400					
Ditto (rear bottom) O/S	1		36213							65401					
Ditto (rear bottom) N/S	1		36213							65402					
Back plate	8									65403					
SEAT FITTINGS															
Slide runner (top)	2				18817										Finishes at Chassis No. 20300
" " (bottom) (slotted)	1				18818										Ditto
" " (bottom) (plain)	1				18819										Ditto
Catch	1				18820										Ditto
Guide channel (plain)	1						29498			61653					
" " (slotted)	1						29504								Finishes at Chassis No. 38778
" " (with lever)	1									61650					
Roller channel (plain)	1						26743			61652					
" " (slotted)	1									61649					
" " (with lever)	1						27018								Finishes at Chassis No. 38778
Lever	1									65723					
Lever spring	1									65877					
Lever knob	1									55442					
MIRRORS															
MIRROR (No. 135)	1		36071												
Bracket	1		19114												
Securing screw	2		5249												

SPARE PARTS LIST

MORRIS MINOR (S.V. MODELS) 5-CWT. VAN

DESCRIPTION	Commencing Chassis No. 101		Commencing Chassis No.		Commencing Chassis No.		Commencing Chassis No.		Commencing Chassis No.		Commencing Chassis No.		REMARKS
	No. Used	Std. Pkgs.	Part No.	Illus. No.	Part No.	Illus. No.	Part No.	Illus. No.	Part No.	Illus. No.	Part No.	Illus. No.	
SUNDRIES													
Storm valance	1		25832										Finishes at Chassis No. 20800 Ditto
Lipped rubbing piping (86")	1	lgth	15561										
Wing piping		as req.	15567										
Licence holder	1		18662										
H.T. spacing washer	8		4209										
H.T. terminal insulator	1		5424										
Door buffer (rear)	2		55285										
Dovetail assembly	2		17716										
Door glass finger pull	2		36197										
Door glass hinge lock	2		86211										
Door pull handle	2		27045										
Door check strap (front)	2		10718										
" " " (rear)	2		14775										



ENGINE

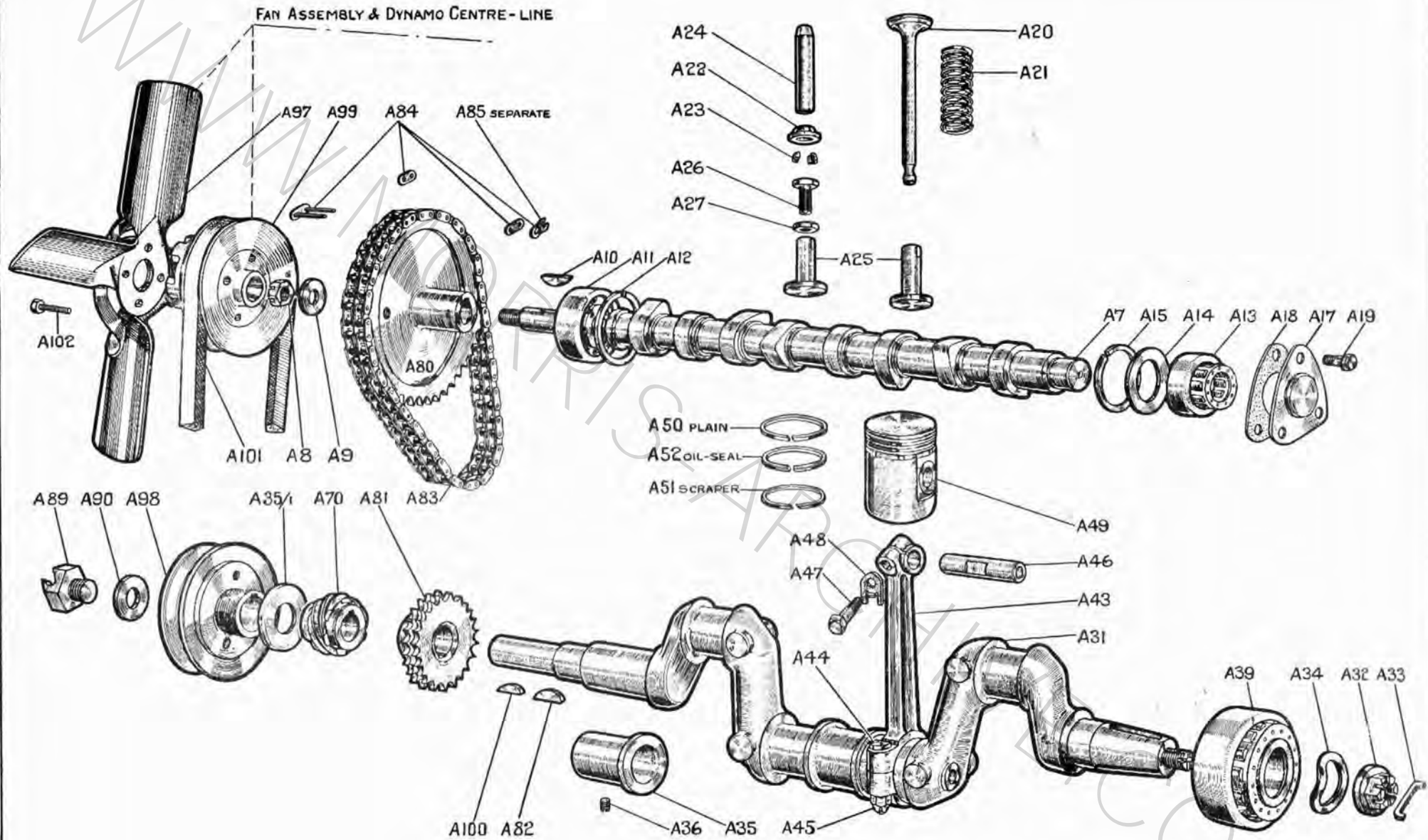
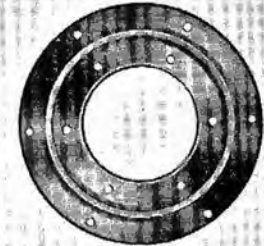
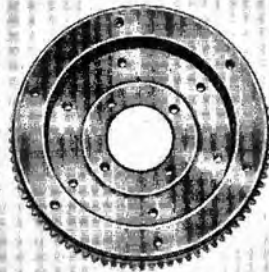
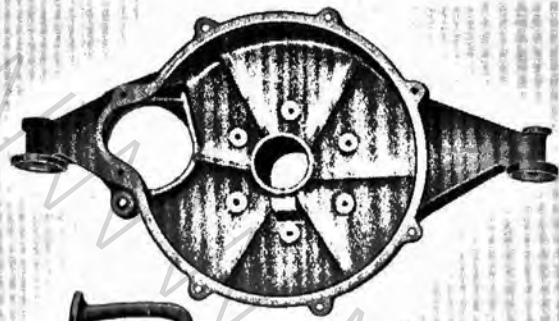


PLATE B



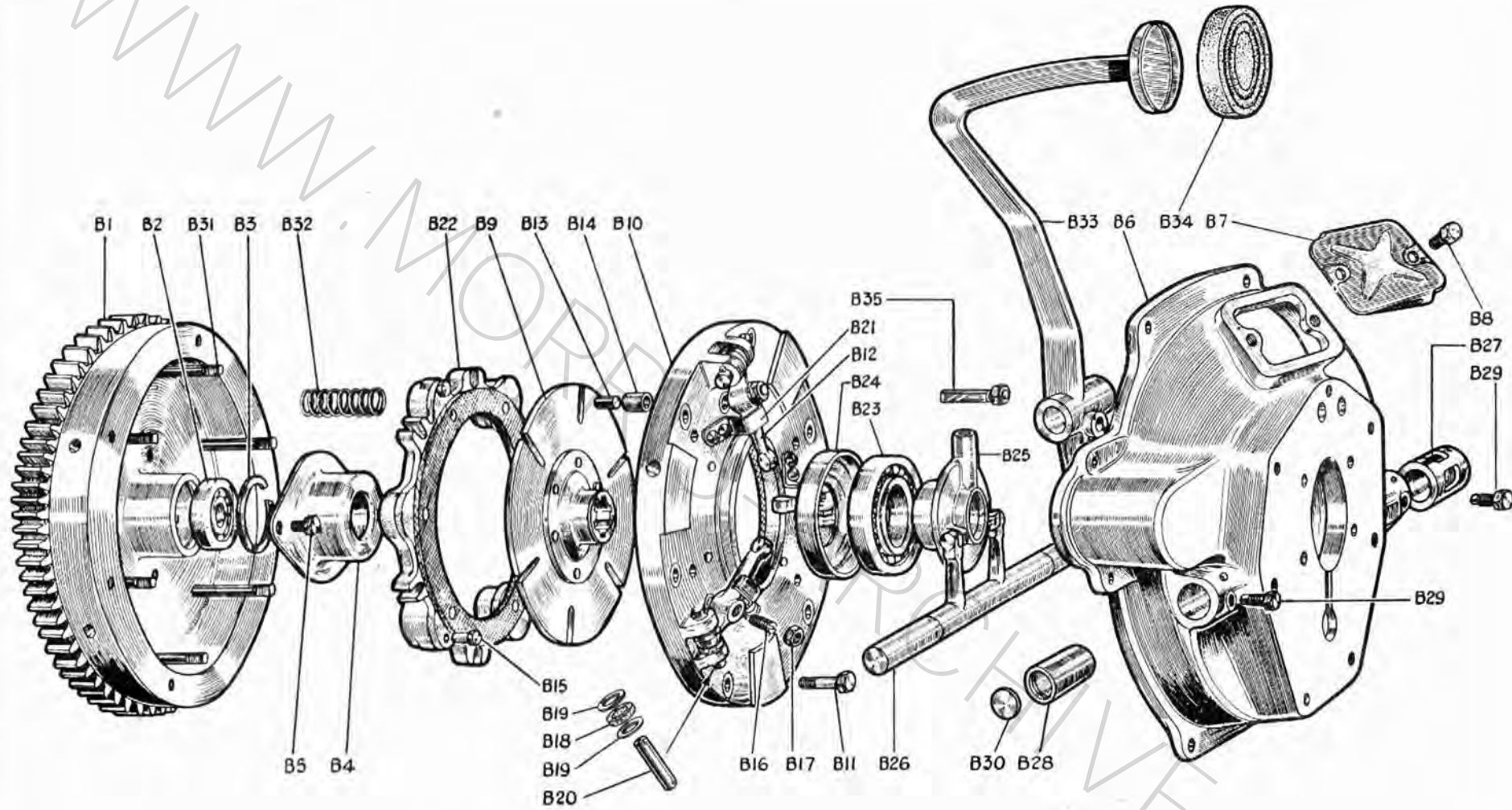
B36

B39

B7

B38

* Not used



D65.

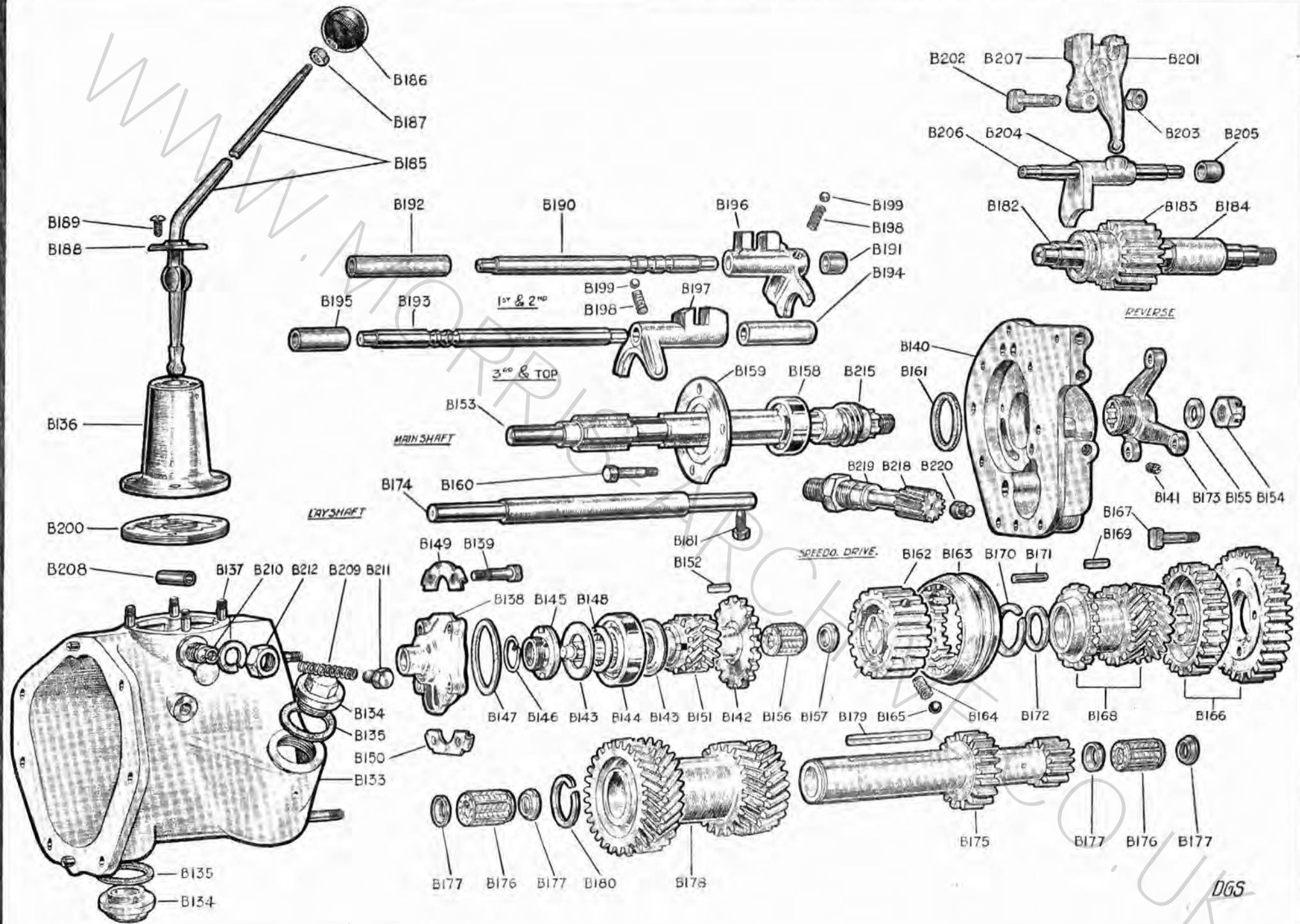
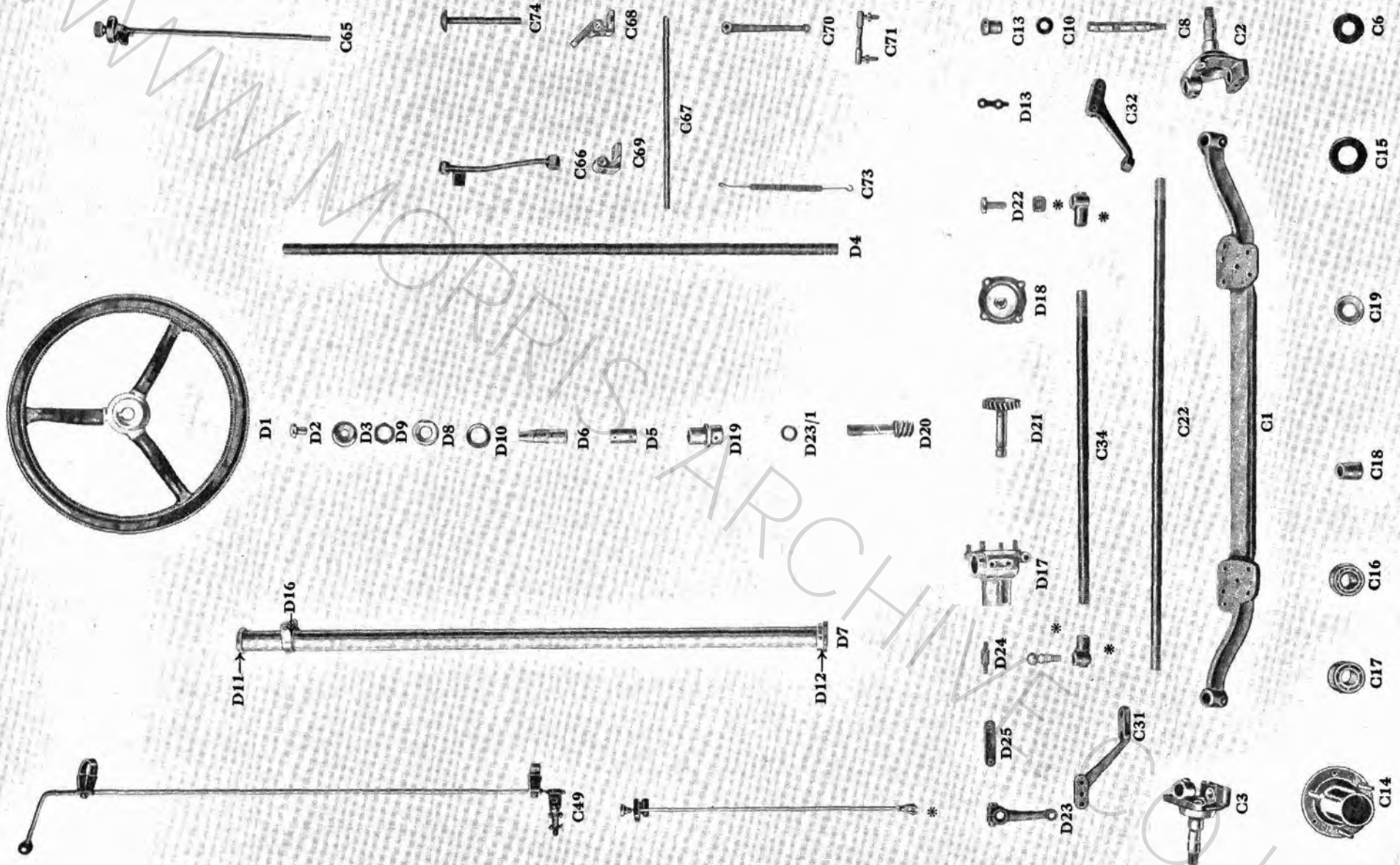


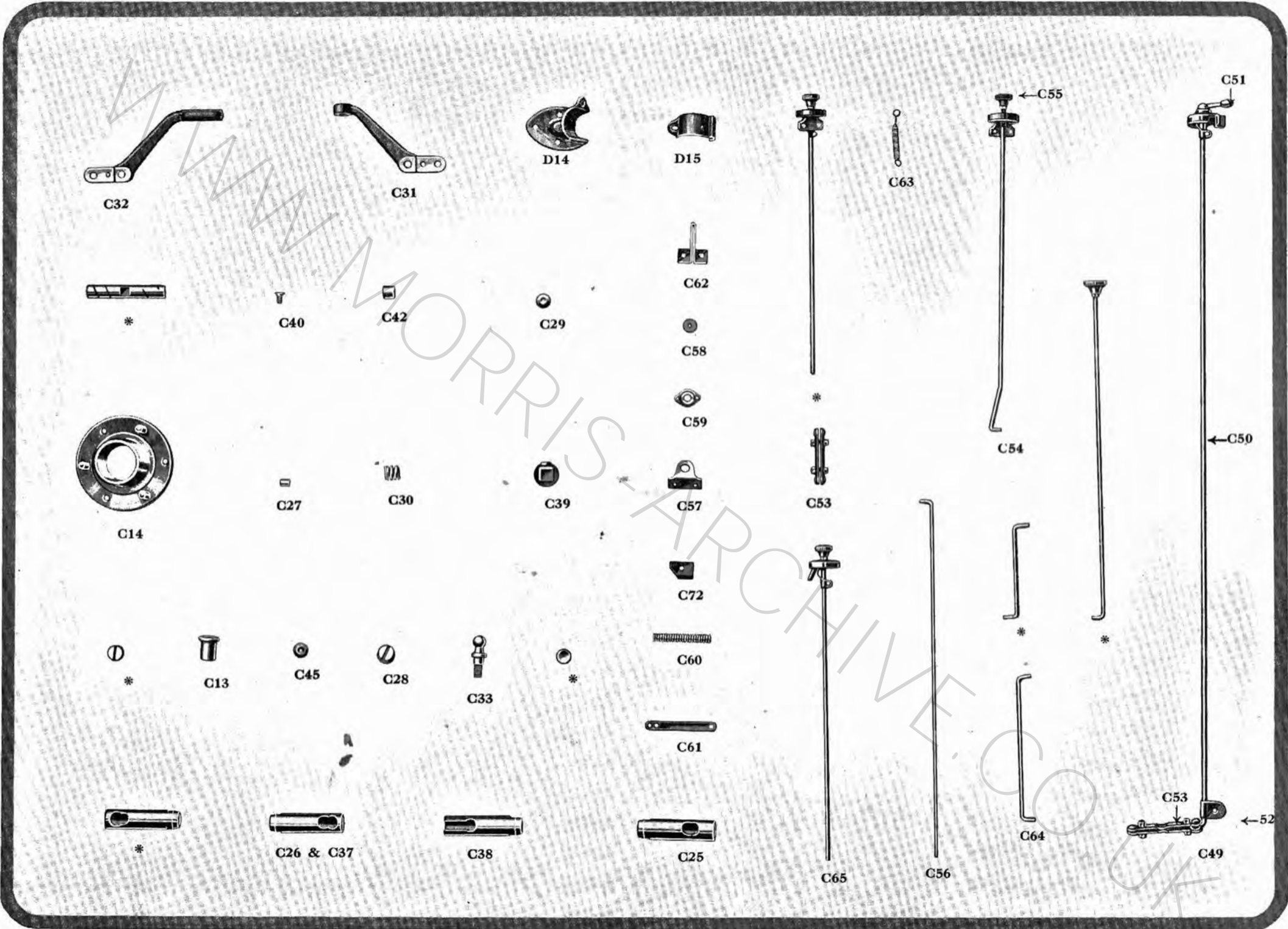
PLATE CD



* Not used

SPARE PARTS LIST
PLATE CD1 (SEE ALSO
 PLATE CD)

MORRIS MINOR (S.V. MODELS)
FRONT AXLE. STEERING. CONTROLS—MAGNETO AND CARBURETTER (UP TO CHASSIS NO. 20300)

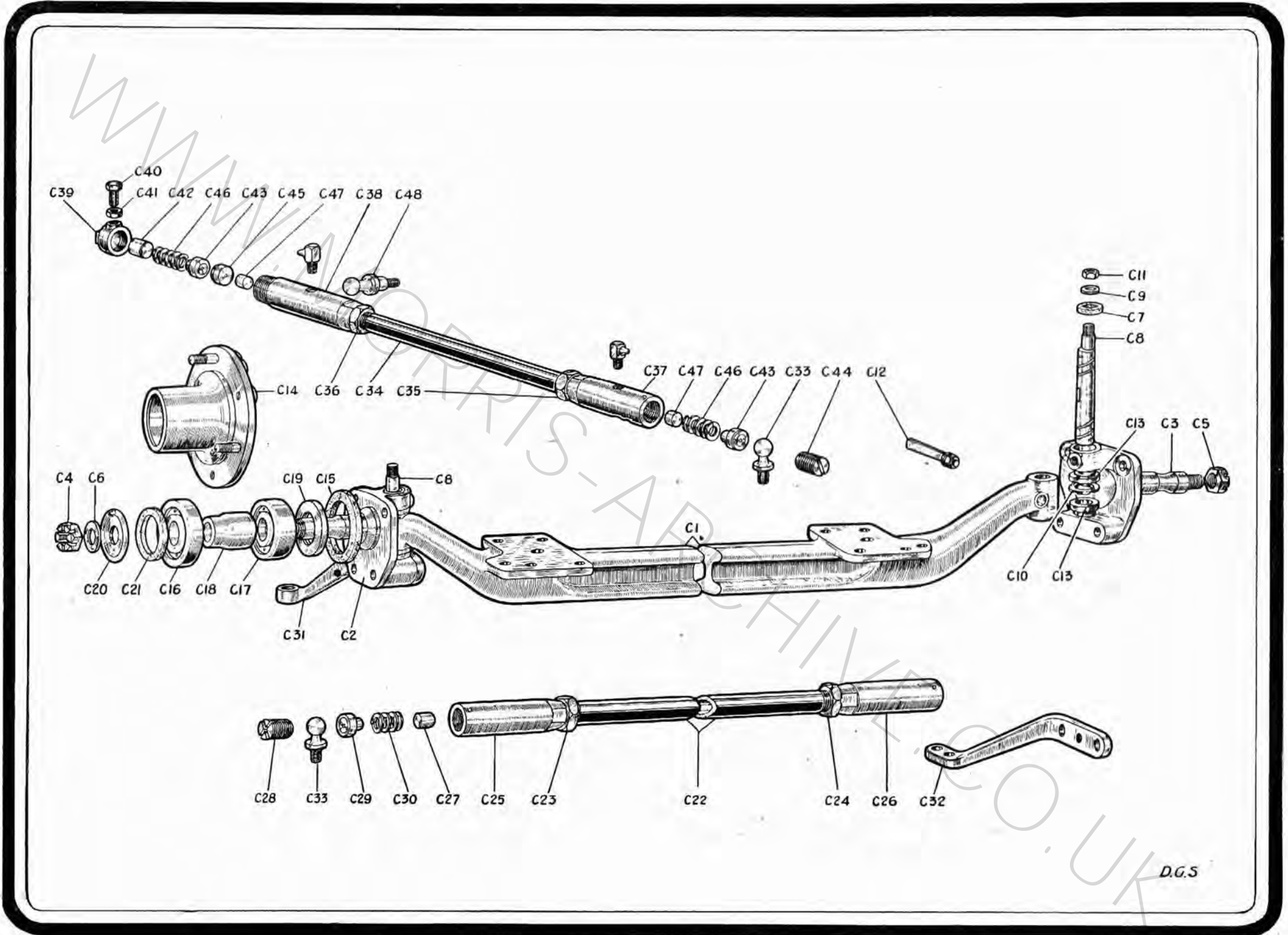


* Not used

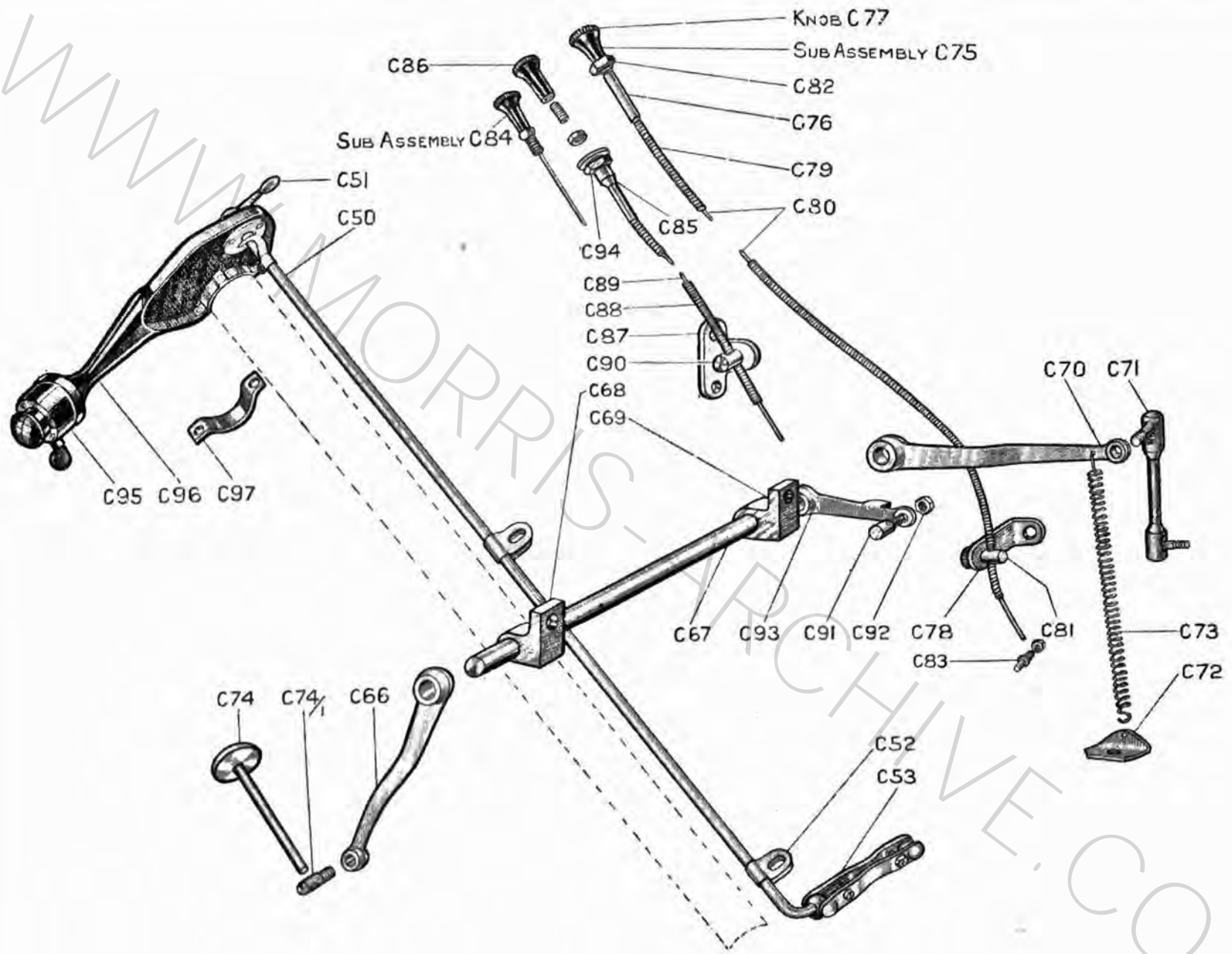
FRONT AXLE.

DRAGLINK.

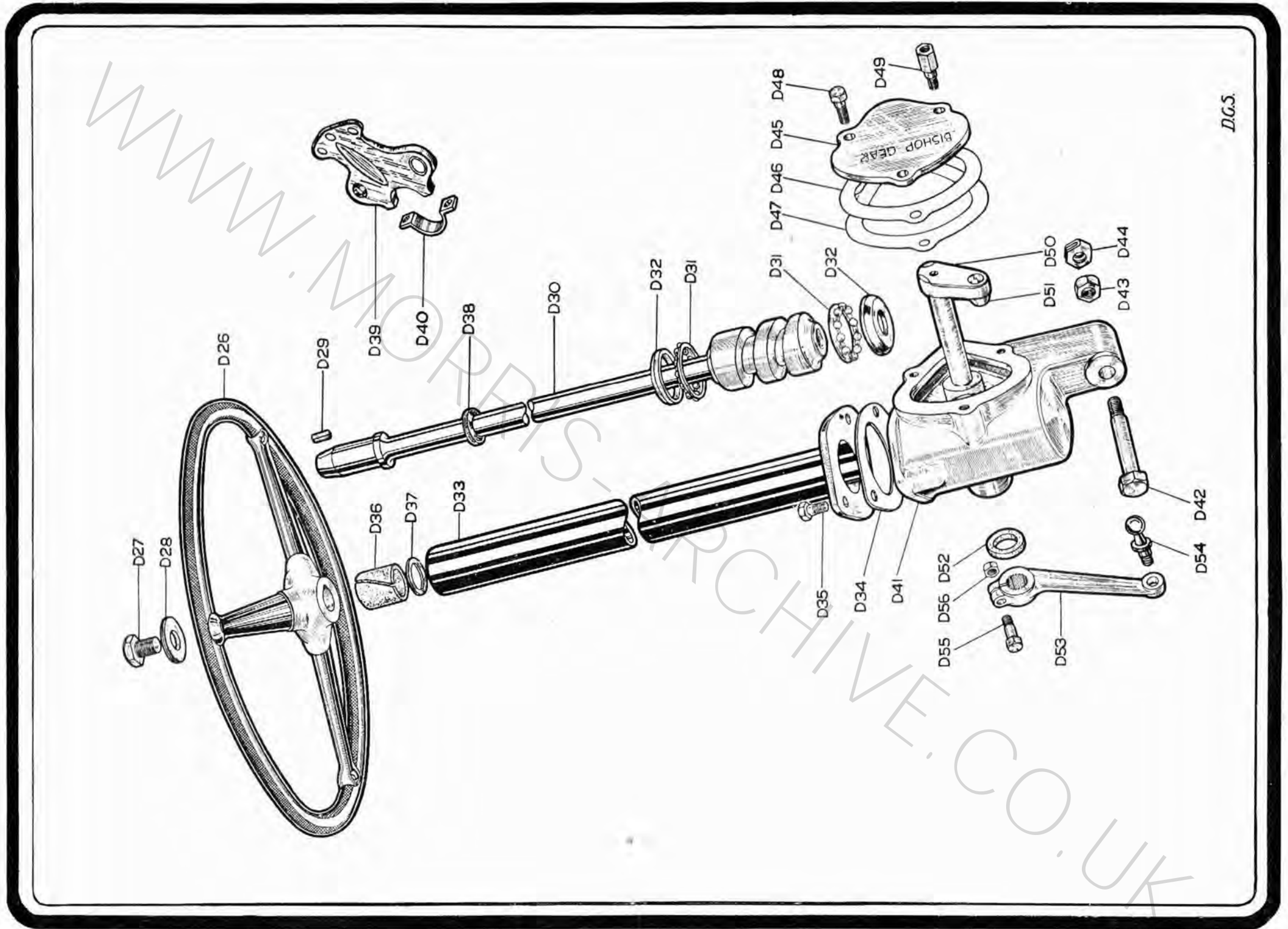
TRACK ROD

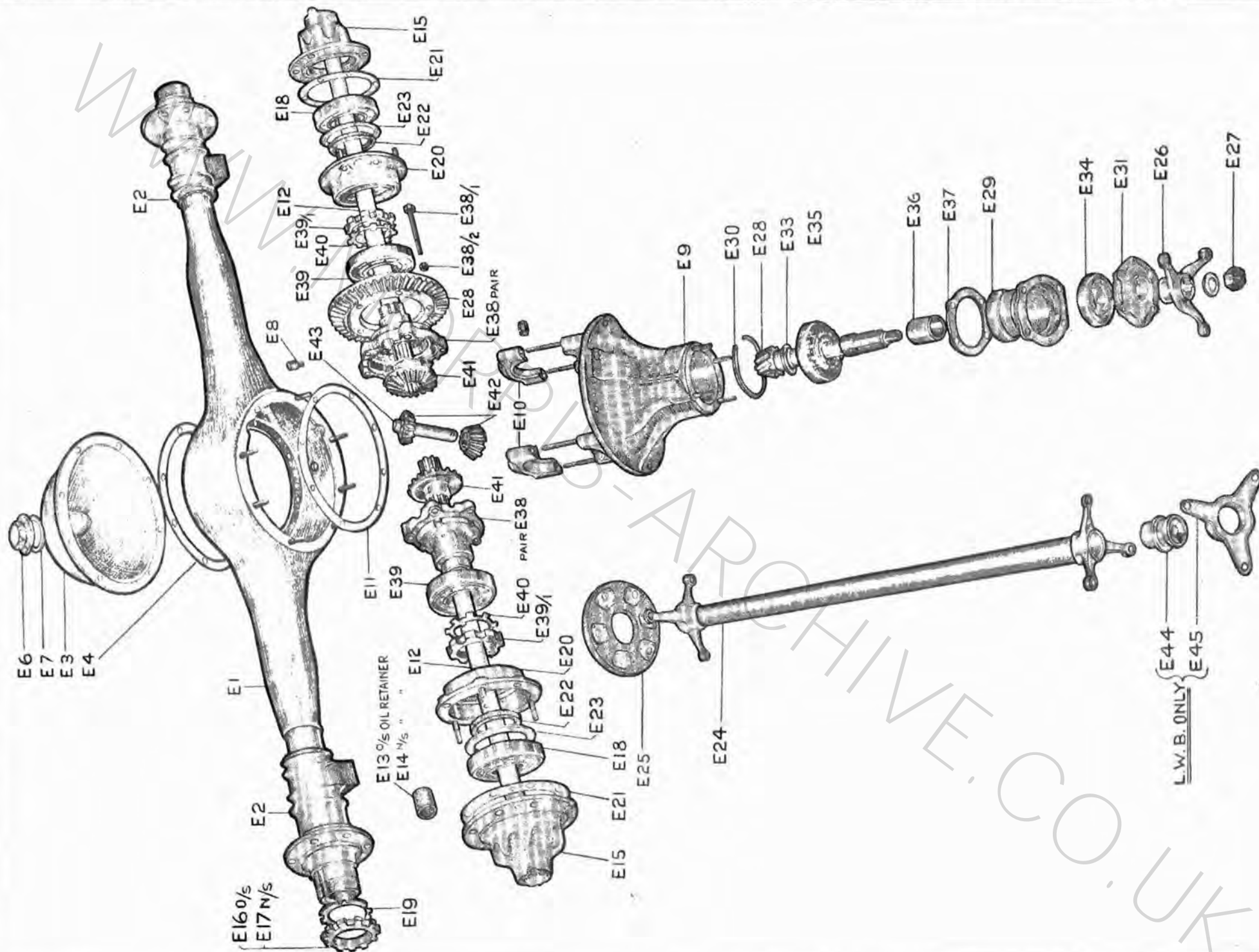


D.G.S

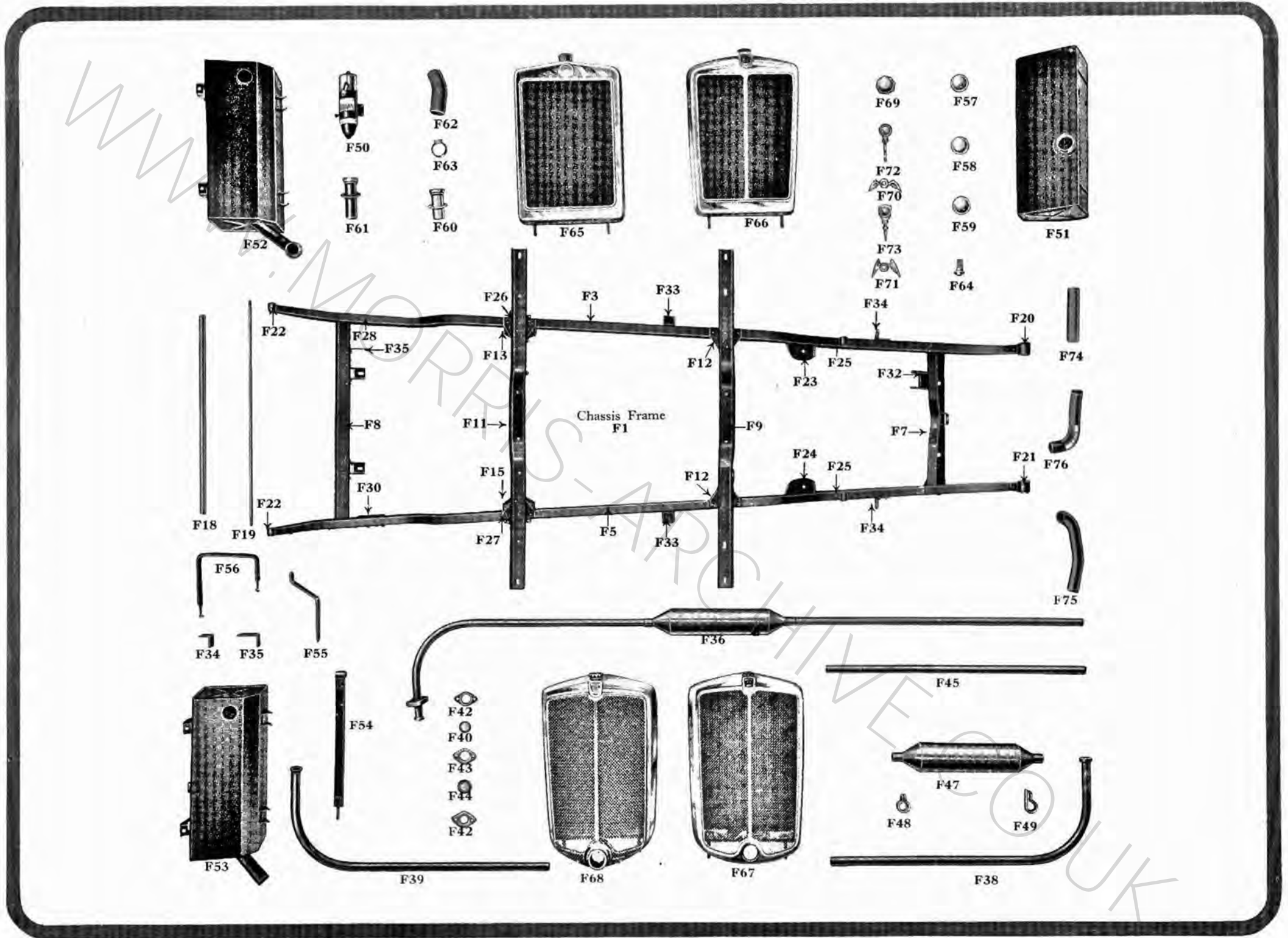


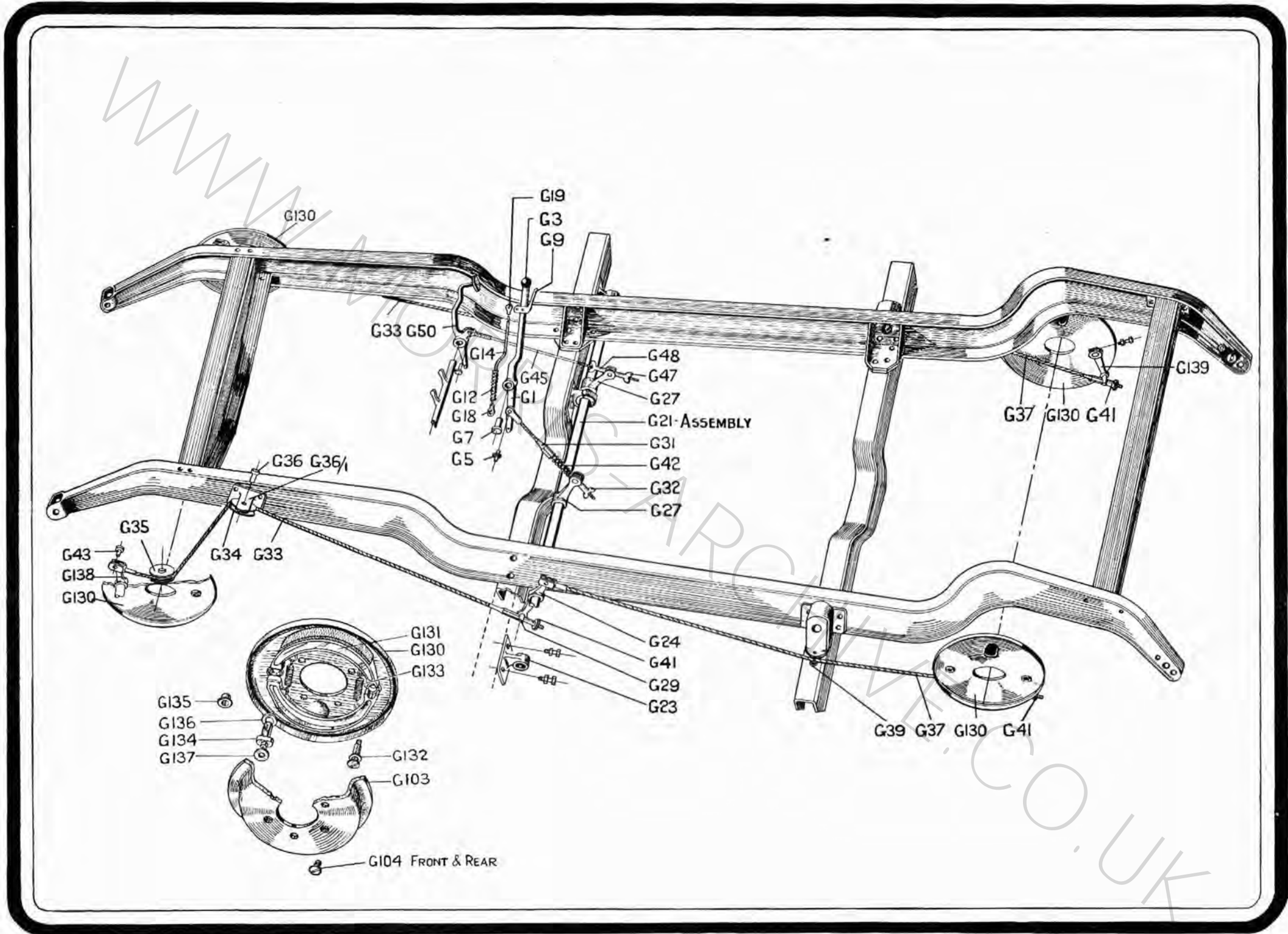
BE.



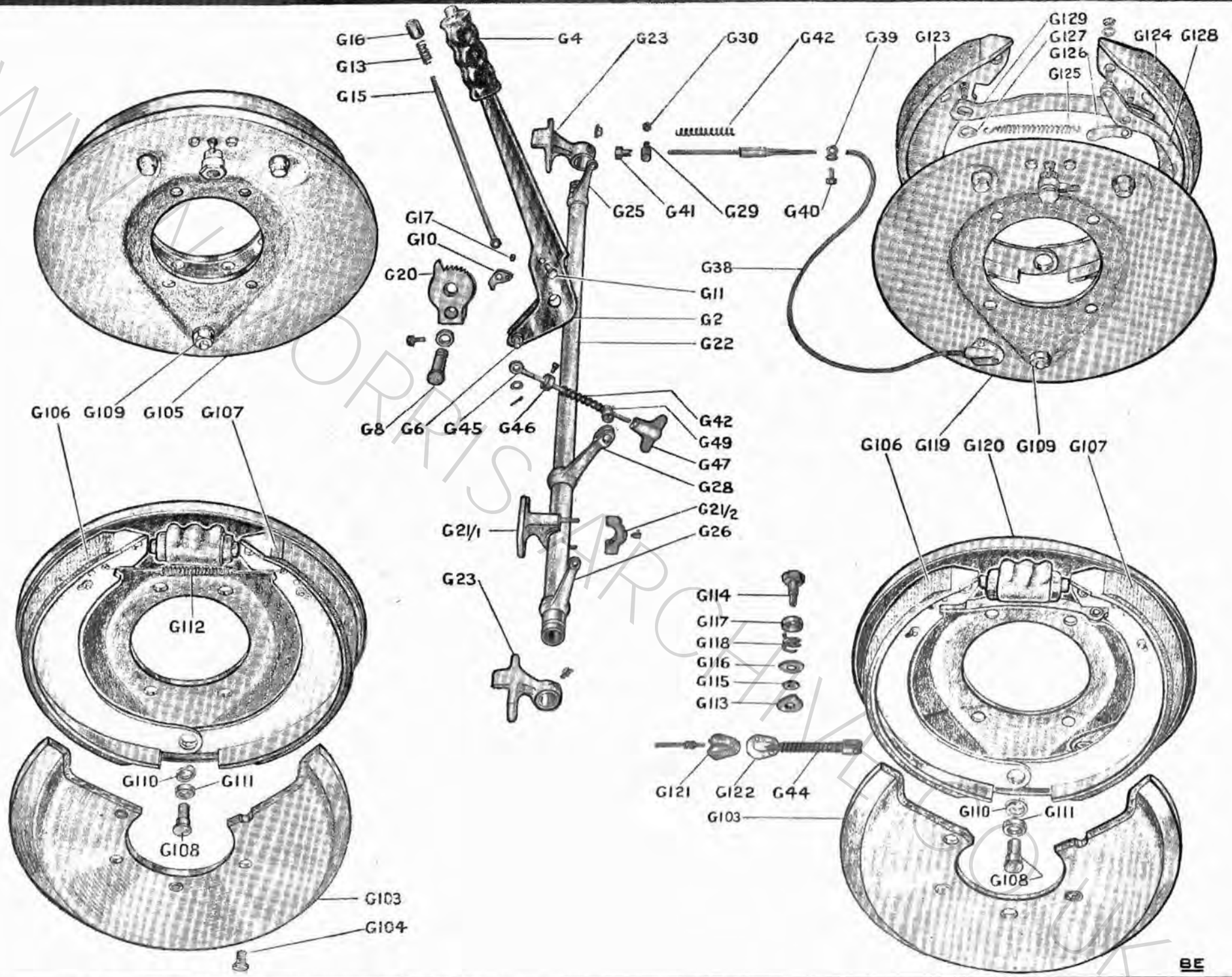


BE



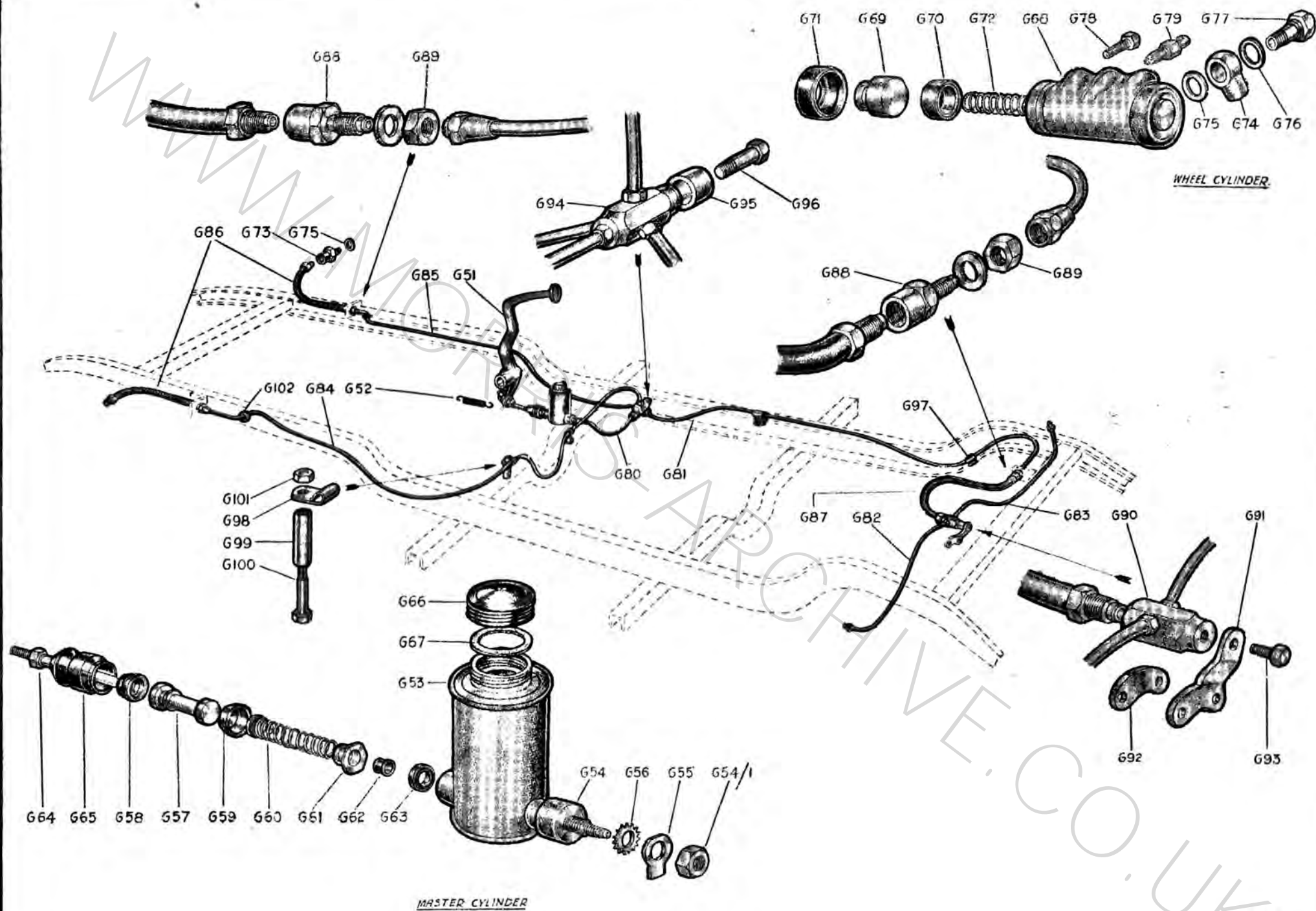


BRAKES—MECHANICAL (CHASSIS NO. 33779 ONWARDS)



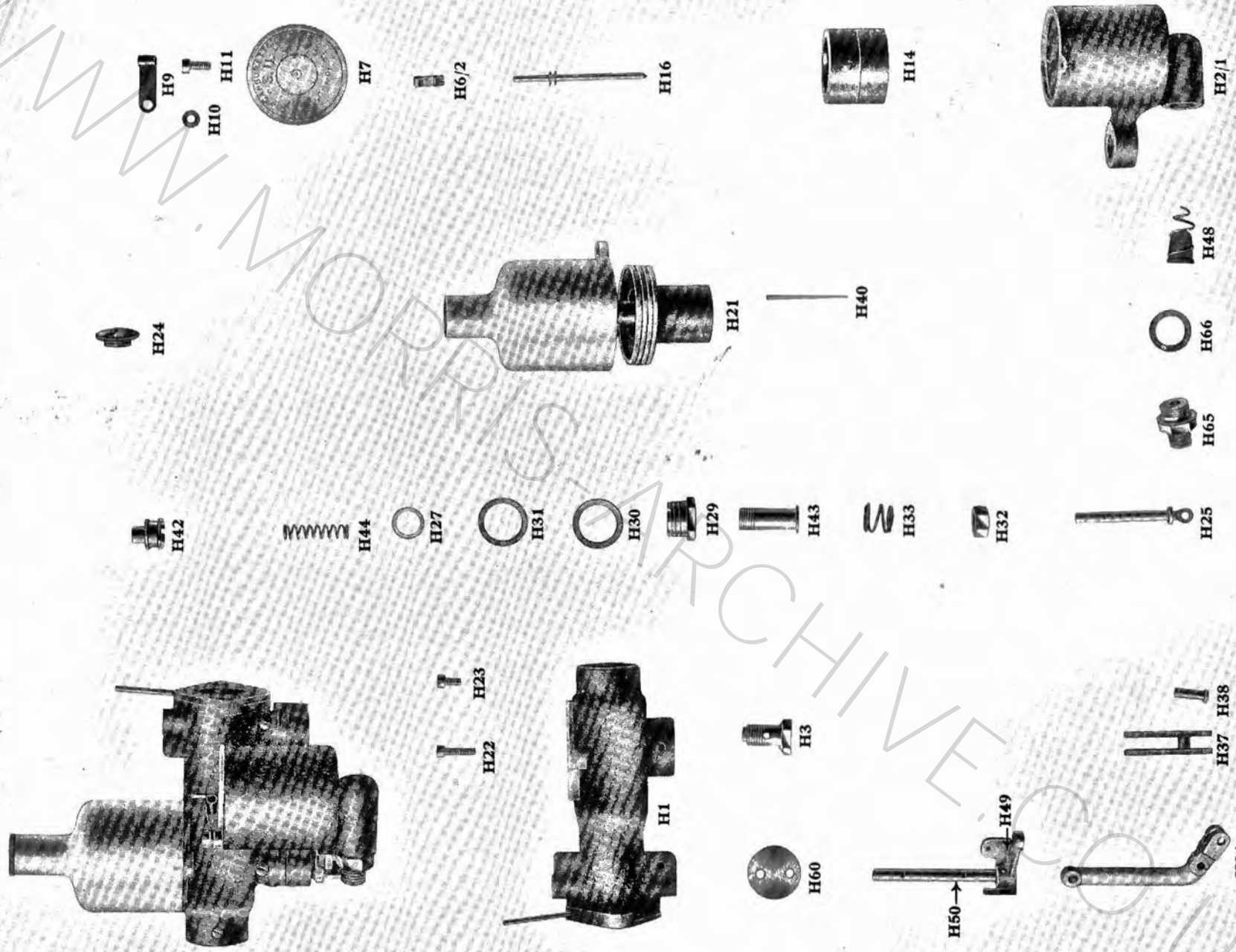
BE

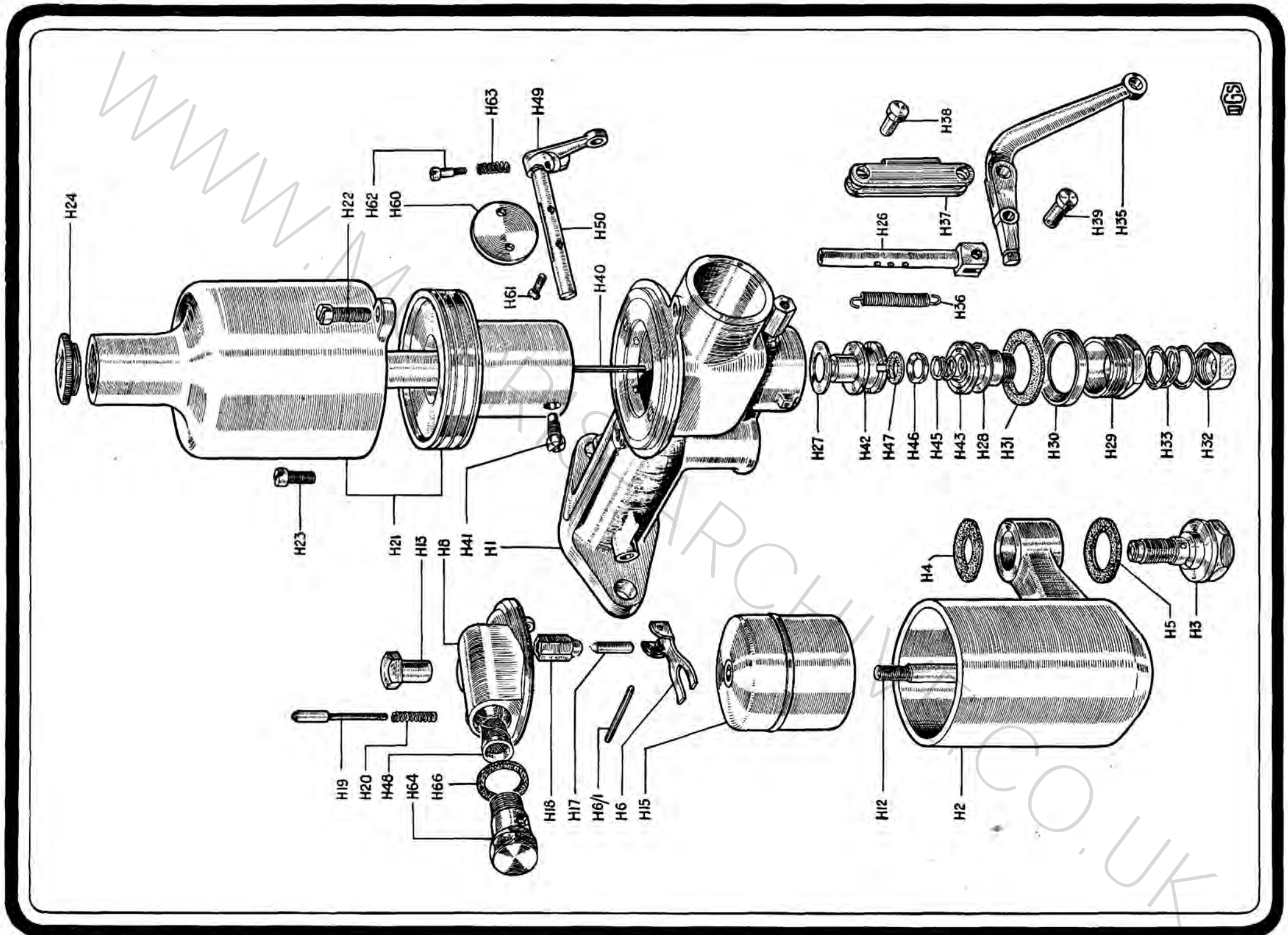
HYDRAULIC BRAKE CONTROLS



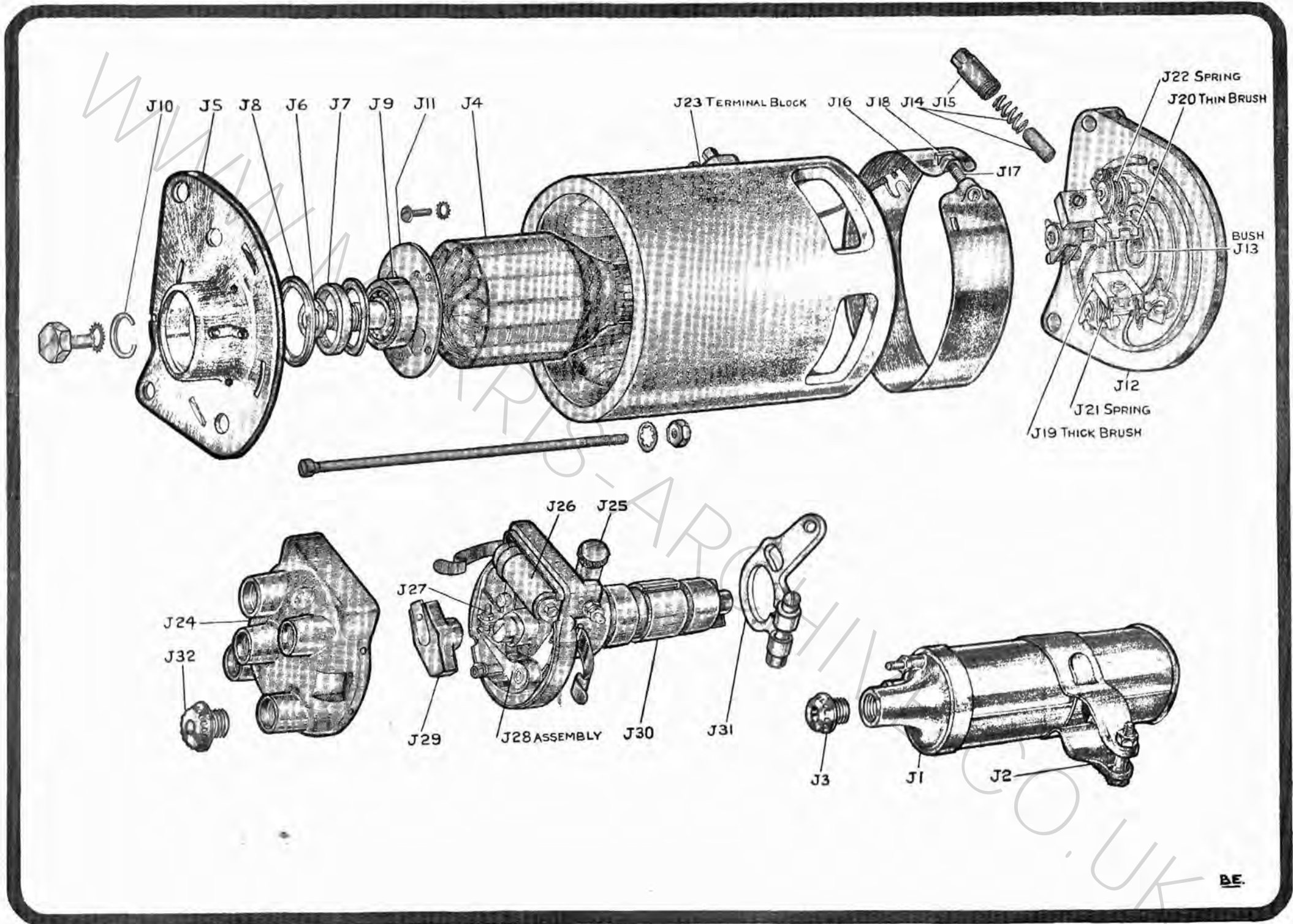
DG.5.

PLATE H

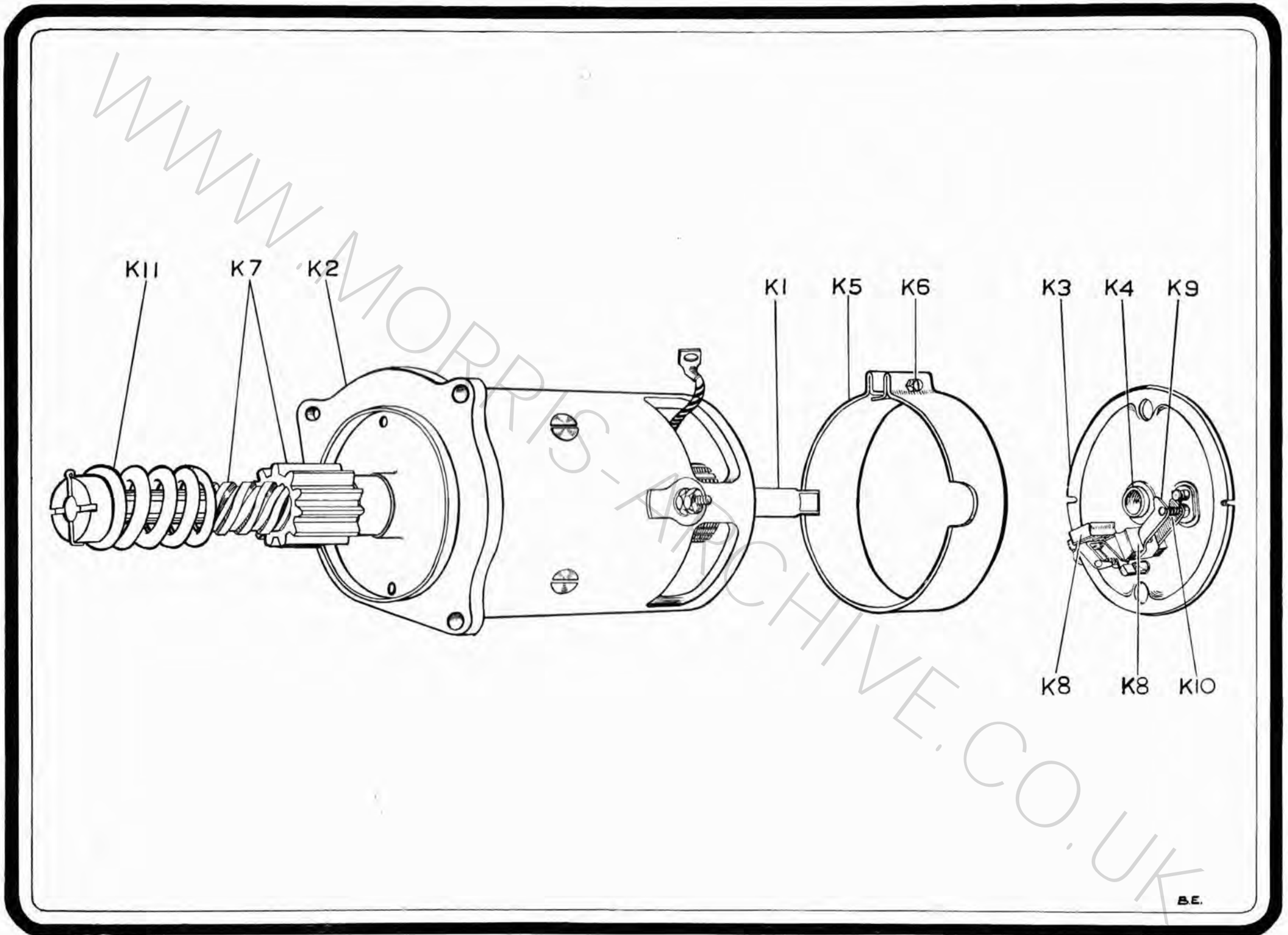




COIL, DYNAMO AND DISTRIBUTOR



STARTER



B.E.

The following amendments and additions must be immediately entered in your Illustrated Parts List dated 1st April, 1934, and on your stock records.
If not already stocked parts shown in columns 6 and 7 should be immediately ordered.

1 Page No.	2 Group Item No.	3 DESCRIPTION	4 No. Used	5 Std. Pkgs.	6 Part No.	7 Superseded by Part No.	8 At Chassis No.	9 At Engine No.	10 REMARKS
		CAMSHAFT, TAPPETS AND VALVES							
1	1	Camshaft	1		36552	38072		101	
		CONNECTING RODS, PISTONS AND GUDGEON PINS							
2	5	Clamp screw	4	48	36518	37089		101	
		STARTING HANDLE							
3	1	Starting handle assembly	1		35718	37977		30906	
3		" " " " " Van	1		35718			101	Add to List
		CLUTCH							
5	1	Clutch housing	1		37409				Add Remarks: Not required for Van
5	2	Clutch housing stud	6		37410				Ditto
5	3	Clutch housing stud nut	6	24	35451				Ditto
5	4	Clutch housing dowel	2		38073				Ditto
5	7	Clutch plate with centre	1		37082				Amend Part Number
5	85	Clutch pedal	1		37402				Add Remarks: Part No. 37402 continues for Van
		FRONT AXLE							
11	35	Lever bolt (long)	2		38081				Amend Quantity
11	36	" " (short)	2		38080				Ditto
		CONTROLS							
12	17	Rod bracket	1		5959	50335	5536		Amend Remarks to read: For cars prior to Chassis No. 9255 1 off Part Nos. 90367, 50333 and 2 off Part No. 50339 must also be used. Finishes at Chassis No. 20900
		STEERING (BISHOP TYPE)							
15	15	Bracket (to fascia board)	1		50957	38155	88779		
		REAR AXLE							
17	3	Universal joint cover	1		50841	52124	83779		
17	5	Universal joint cover extension..... 2-seater 4-speed	1		51109	52197	83779		
18	89	Universal joint spider (propeller shaft).....	2		38077				Amend Quantity
		HAND BRAKE LEVER							
17	16	Pawl	1	12	51872	52831	83779		Add Remarks: For cars prior to Chassis No. 41055 Part No. 52832 must also be used
18		Pawl rod guide bush	1		52898		83779		Add to List
18	8	Ratchet	1		51874				Delete from List
18	8	"	1		36089	52832	33779		Add Remarks: For cars prior to Chassis No. 41055 Part No. 52831 must also be used
18	17	Rivet (pawl to pawl rod)	1		38070				Delete from List
		CHASSIS FRAME							
28	20	Lockheed hose bracket	2		5900				Amend Quantity

1 Page No.	2 Group Item No.	3 DESCRIPTION	4 No. Used	5 Std. Pkgs.	6 Part No.	7 Superseded by Part No.	8 At Chassis No.	9 At Engine No.	10 REMARKS
UNDERSHIELDS									
28	1	Undershield	1		5400	53088	33779		
RADIATOR									
25	9	Calormeter	1		45759				Amend Part Number
SHOCK ABSORBERS (HYDRAULIC)									
28	10	Rebound adjusting screw with nut	4		65279				Delete from List
28	11	Rebound adjusting screw washer	4		65280				Ditto
29		Bolt nut washer (shake-proof) ($\frac{3}{8}$ "	4		55459		33779		Add to List
29		" " " (shake-proof) ($\frac{1}{8}$ "	4		55458		33779		Ditto
WHEELS									
29		Spare wheel bracket	1		38141		33779		Add to List, also add Remarks: Part No. 37942 used on first 250 bodies
BATTERY AND CARRIER									
29	1	Battery (6-volt) (wet)	1		05638				Amend Part Number
29	2	" (6-volt) (dry)	1		05639				Ditto
CLIPS									
32		Clip (starter switch cable)	1		52080		33779		Add to List
LAMPS									
35	11	Rim securing screw	2		40006	65683	101		
STARTER									
37		Switch screw and nut	3/2		2125		101		Add to List
WINDSCREENS									
38	4	Windscreen complete	1		27098	38107	5586		
38	32	Weather rubber	1 length		37982				Add Remarks: For "Worcester" type windscreen
38		" "	1 length		38142		33779		Add to List, also Remarks: For "Beatson" type windscreen
38		" "	1 length		41528		33779		Add to List, also Remarks: For "Auster" type windscreen
DOOR BUFFER AND PIN PLATES									
40	3	Door buffer (oversize)	4		62250				Amend Part Number
MIRRORS									
48	7	Securing screw	2		5429				Amend Part Number
FRONT AXLE									
45	35	Lever bolt (long)	2		38081				Amend Quantity
45	36	" " (short)	2		38080				Ditto
STEERING (BISHOP TYPE)									
47	15	Bracket (to fascia board)	1		50957	88155	33779		

1 Page No.	2 Group Item No.	3 DESCRIPTION	4 No. Used	5 Std. Pkgs.	6 Part No.	7 Superseded by Part No.	8 At Chassis No.	9 At Engine No.	10 REMARKS
HAND BRAKE LEVER									
49	14	Pawl	1	12	51872	52831	33779		Add Remarks: For cars prior to Chassis No. 41055 Part No. 52832 must also be used
50	4	Ratchet	1		51874	52832	33779		
UNDERSHIELDS									
55	1	Undershield	1		51819	53089	33779		
SHOCK ABSORBERS (HYDRAULIC)									
59	10	Rebound adjusting screw and nut	4		65279				Delete from List
59	11	Rebound adjusting screw washer	4		65280				Ditto
59		Bolt nut washer (shake-proof) ($\frac{3}{8}$ ")	4		55459		33779		Add to List
59		" " " (shake-proof) ($\frac{1}{8}$ ")	4		55458		33779		Ditto
CLIPS									
63		Clip (starter switch cable)	1		52080		33779		Add to List
LAMPS									
65	11	Rim securing screw	2		40606	65688	20801		
DOOR BUFFERS AND PIN PLATES									
70	2	Buffer (oversize)	8		62250				Amend Part Number
FRONT AXLE									
78	35	Lever bolt (long)	2		38081				Amend Quantity
78	36	" " (short)	2		38080				Ditto
CONTROLS									
74	28	Accelerator cross shaft	1		50735	51345	33779		
74		Accelerator cross shaft distance piece	1		51346		33779		Add to List
STEERING (BISHOP TYPE)									
76	15	Bracket (to fascia board)	1		50957	88155	33779		
CLIPS									
89	6	Clip (dip switch cable)	1	24	51092				Amend Part Number
89	7	" (horn cable)	3	24	51092				Ditto
LAMPS									
92	4	Rim securing screw	2		40606	65688	101		
WINDSCREEN									
94	1	Windscreen	1		28664	28747	33779		
94	2	Windscreen glass	1		28667				Amend Part Number
94	17	Windscreen weather rubber	1 length		37982				Delete Part No. 37982 from List
MIRRORS									
95	3	Securing screw	2		5429				Amend Part Number

WWW.MORRIS-ARCHIVE.CO.UK

The following amendments and additions must be immediately entered in your Illustrated Parts List dated 1st April, 1934, and on your stock records.
If not already stocked, parts shown in columns 6 and 7 should be immediately ordered.

1 Page No.	2 Group Item No.	3 DESCRIPTION	4 No. Used	5 Std. Pkgs.	6 Part No.	7 Superseded by Part No.	8 At Chassis No.	9 At Engine No.	10 REMARKS
		GEARBOX (FOUR-SPEED)							
8	24	Nut	1		36906	EZ510		20718	
		REAR AXLE							
16	39	Universal joint spider (propeller shaft)	1		38077		101		Delete from List
		HYDRAULIC BRAKES							
		MASTER CYLINDER AND SUPPLY TANK							
19	8	Head	1		37821		33779		Delete from List
19	4	Head gasket	1		37822		33779		Ditto
		REAR WHEEL BRAKES							
22	24	Lever O/S	1		37953		33779		Delete from List
22	25	" N/S	1		37954		33779		Ditto
		Lever and push rod assembly O/S	1		38203		33779		Add to List
		" " " " " N/S	1		38204		33779		Ditto
22	30	Lever push rod O/S	1		37951		33779		Delete from List
22	81	" " " N/S	1		37952		33779		Ditto
22	82	Push rod pivot pin	2		37956		33779		Ditto
		FUEL SYSTEM							
24	37	Union (right angle) (supply pipe)	1		4428	45320	5536		
		RADIATOR							
25	16	Hose clip (1½")	4	12	2611		101		Amend Quantity
25	17	" " (top)	2		50287		33779		Delete from List
		SPRINGS							
27	8	Shackle	2		3328	58085	101		
27	7	Shackle pin washer (dumb-iron)	2	24	4054		101		Delete from List
27	85	Shackle	2		3328	58085	101		
		SHOCK ABSORBERS (HYDRAULIC)							
28	8	Filler plug	4		65277		33779		Amend Part Number
		DASH, SHROUD AND FOOTBOARDS							
31	12	Support packing piece	31	12	51139		20301		Add Remarks : Finishes at Chassis No. 33778
32	18	Footboard support O/S	1		3737		101		Amend Part Number
32	19	" " N/S	1		3736		101		Ditto
		DISTRIBUTOR							
37		Lubricator stem	1		38178		DJ4A-8		Add to List
37	6	Contact breaker assembly	1		45098	45987	D41		
		WINDSCREENS							
38	4	Windscreen complete Saloon	1		29541	38268	101		
		STRIKER PLATES							
40	1	Striker plate O/S 2-seater	1		25830	28421	101		
40	2	" " N/S 2-seater	1		25829	28420	101		
40	5	" " O/S Saloon	1		25829	28420	101		
40	6	" " N/S Saloon	1		25880	28421	101		

1 Page No.	2 Group Item No.	3 DESCRIPTION	4 No. Used	5 Std. Pkgs.	6 Part No.	7 Superseded by Part No.	8 At Chassis No.	9 At Engine No.	10 REMARKS
		DOOR BUFFER AND PIN PLATES							
40	2	Door buffer Saloon	4		13408	55520	20801		
		SEAT FITTINGS							
41	8	Roller channel (plain) Tourer & Saloon	2/1/2		61652	66118	88779		
41	9	" " (slotted) Tourer & Saloon	2		61649	66117	88779		
		HOOD AND SIDESCREENS							
42	25	Strap	2		36775		101		Amend Part Number
		SUNDRIES							
44	2	Folding head draught strip	1		28886		5536		Ditto
		REAR AXLE							
48	82	Propeller shaft (with universal joint spiders)	1		51802		33779		Amend Part Number
48	40	Universal joint spider (propeller shaft)	2		38077		20801		Delete from List
		HYDRAULIC BRAKES							
		MASTER CYLINDER AND SUPPLY TANK							
51	8	Head	1		37821		33779		Delete from List
51	4	Head gasket	1		37822		33779		Ditto
		REAR WHEEL BRAKES							
54	6	Lever O/S	1		87953		33779		Delete from List
54	7	" N/S	1		87954		33779		Ditto
		Lever and push rod assembly O/S	1		38208		33779		Add to List
		" " " " N/S	1		38204		33779		Ditto
54	12	Lever push rod O/S	1		87951		88779		Delete from List
54	18	" " " N/S	1		87952		88779		Ditto
54	14	Lever push rod pivot pin	2		87956		88779		Ditto
		FUEL SYSTEM							
55	28	Union (right angle) (supply pipe)	1		4428	45820	20801		Amend Part Number
		RADIATOR							
56	16	Hose clip (1½")	4	12	2611		20801		Amend Quantity
56	17	" " (top)	2		50287		33779		Delete from List
		BONNET							
56	7	Domed protector stud (top)	4	24	19106		20801		Amend Part Number
		SPRINGS AND COMPONENTS							
58	8	Shackle	2		3328	58035	20801		
58	80	"	2		3328	58035	20801		
		DISTRIBUTOR							
67	Lubricator stem	1		88178		DJ4A/8		Add to List
		DOOR BUFFERS AND PIN PLATES							
70	1	Buffer Saloon	8		13408	55520	20801		
		SEAT FITTINGS							
71	6	Roller channel (plain)	1		61652	66118	88779		
71	7	" " (slotted)	2		61649	66117	88779		

1 Page No.	2 Group Item No.	3 DESCRIPTION	4 No. Used	5 Std. Pkgs.	6 Part No.	7 Superseded by Part No.	8 At Chassis No.	9 At Engine No.	10 REMARKS
		CONTROLS (MIXTURE AND SLOW RUNNING) (CABLE TYPE)							
75	18	Clamp bracket	1		51007	50780	33779		
75	22	Bracket	1		51008		20801		Add-Remarks: Finishes at Chassis No. 33778
		REAR AXLE							
78	14	Universal joint spider (propeller shaft)	2		38007		101		Delete from List
		FUEL SYSTEM							
83	20	Union (right angle) (supply pipe)	1		4428	45820	33779		
		RADIATOR							
83	17	Hose clip (top)	2		50287		33779		Delete from List
		SPRINGS							
85	9	Fifth leaf	2		30054		101		Amend Part Number
85	27	Shackle	2		3328	53035	101		
85	81	Shackle pin washer (dumb-iron)	2	24	4054		101		Delete from List
86	4	Shackle	2		3328	53035	101		
		DASH, SHROUD AND FOOTBOARDS							
86	10	Side support packing piece	2		51130		20801		Add Remarks: Finishes at Chassis No. 33778
		DISTRIBUTOR							
98		Lubricator stem	1		38178		DJ4A-9		Add to List
98	6	Contact breaker assembly	1		45003	45087	1041		
		WINDSCREEN							
94	1	Windscreen	1		20541	38203	101		
		SEAT FITTINGS							
95	8	Roller channel (plain)	1		01052	00118	33779		
95	9	" " (slotted)	1		01040	00117	33779		

WWW.MORRIS-ARCHIVE.CO.UK