

# MORRIS

MASTER LIST *of* SPARE PARTS

EIGHT  
Series E

*. . Issued by . .*

**MORRIS MOTORS LIMITED, COWLEY, OXFORD, ENGLAND**

Telephone - - - - - Oxford 7777  
Telex - - - - - Oxford Telex 7194  
Telegrams - - - - - "Voiturette," Telex, Oxford  
Cables - - - - - "Voiturette," Oxford  
Codes - Bentley's, Bentley's Second Phrase, A.B.C. (5th and 6th Editions), Western Union and Private

# IMPORTANT.

## MORRIS SPARE PARTS

When purchasing replacement parts or having repairs done, owners of Morris cars are requested to see that a label similar to the one illustrated here is attached to the invoice rendered. These labels are issued by Morris Motors Limited and constitute a guarantee that genuine Morris parts are supplied.

No better car maintenance service exists in the world than that provided by Morris Motors Limited, and no car demands less attention; but it is unfair to the makers to expect the continuance of their support if the structure of the car

has been disturbed by the use of replacement parts that are not genuine Morris parts.



Replacement parts that are not of genuine Morris manufacture cannot be relied upon to be of Morris specification, material and workmanship, and, therefore, the Company cannot be expected to extend their Guarantee to cars which have been fitted with parts not of their manufacture.

All authorised Morris Distributors and Dealers are under contract to supply only genuine Morris parts.

# SPARE PARTS LIST

## Introduction

In addition to showing our Factory part numbers, the plate illustrations have been lettered, and numbered in numerical sequence so that the illustrations may be readily coupled up with the printed descriptions of parts.

We reserve the right to make changes or improvements in the construction or equipment of our products at any time without obligating ourselves to install such changes on any cars previously sold.

It is our policy to adopt such improvements as soon as the advisability of making them has been thoroughly demonstrated.

It is therefore absolutely essential when ordering that PART NUMBERS, MODEL, CHASSIS AND ENGINE NUMBERS are quoted.

It will further assist in rendering prompt, efficient service by following the instructions for ordering parts as given on the succeeding pages.

### Liste des Pièces de Rechange

#### Introduction

Outre l'indication des numéros de fabrication des pièces, les figures des planches sont cotées et numérotées consécutivement, de manière à permettre de rapprocher facilement les illustrations des désignations des pièces imprimées dans le Catalogue.

Nous nous réservons le droit d'apporter des modifications ou des perfectionnements à la construction ou à l'équipement de nos produits à n'importe quel moment, sans nous obliger à installer ces modifications sur les voitures déjà vendues.

Nous avons pour principe d'adopter les perfectionnements dès que l'opportunité en est bien démontrée.

Il est donc absolument essentiel d'indiquer les NUMÉROS du CHASSIS et du MOTEUR lors de toute commande de pièces.

D'autre part on nous facilitera un service prompt et efficace en suivant les instructions pour commandes de pièces données dans les pages qui suivent.

### Lijst van Onderdeelen

#### Inleiding

Teneinde de onderdeelen volgens de lijstnummers gemakkelijk op de illustraties te kunnen vinden, zijn deze illustraties eveneens in numerieke volgorde gelletterd en genummerd.

Wij behouden ons steeds het recht voor veranderingen en/of verbeteringen aan te brengen in de samenstelling of uitrusting onzer producten zonder eenige verplichting onzerzijds deze aan te brengen op te voren verkochte wagens.

Het is onze gewoonte zulke verbeteringen in toepassing te brengen, zoodra de wenschelijkheid hiertoe duidelijk gebleken is.

Het is daarom absoluut noodzakelijk, bij het bestellen van onderdeelen, de CHASSIS-en MOTORNUMMERS te vermelden.

Het opvolgen der voorschriften, in de volgende bladzijden aangegeven, zal tot prompte en doeltreffende service bijdragen.

### Lista de Piezas de Recambio

#### Introducción

Además de indicar los números de fábrica de las piezas, las figuras de las láminas llevan letras y números consecutivos, de suerte que las ilustraciones puedan fácilmente relacionarse con las descripciones impresas de las piezas.

Nos reservamos el derecho de introducir en cualquier tiempo modificaciones o perfeccionamientos en la construcción o equipo de nuestros productos, sin que por ello estemos obligados a introducir tales modificaciones o perfeccionamientos en cualesquier automóviles vendidos anteriormente.

Llevamos por regla adoptar tales perfeccionamientos tan pronto como se haya demostrado concluyentemente su oportunidad.

Es, por lo tanto, absolutamente esencial que al pedir piezas de recambio se indique los NUMÉROS DEL CHASSIS Y DEL MOTOR.

Por otra parte contribuirá a asegurar un servicio rápido y satisfactorio, el que al pedir piezas de recambio sigan las instrucciones que se dan en las páginas siguientes.

### Ersatzteilverzeichnis

#### Einleitung

Ausser unseren Fabrikteilnummern tragen die Abbildungen noch Buchstaben und fortlaufende Nummern, sodass sie sofort an Hand der gedruckten Beschreibung der Teile leicht zu erkennen sind.

Wir behalten uns das Recht vor, zu jeder Zeit Aenderungen oder Verbesserungen in der Ausführung oder Ausrüstung unserer Erzeugnisse vorzunehmen, ohne uns zu verpflichten, derartige Aenderungen auch an bereits verkaufte Wagen anzubringen.

Wir haben es uns zum Grundsatz gemacht, derartige Verbesserungen einzuführen, sobald sich deren Brauchbarkeit als durchaus ratsam erweisen.

Es ist deshalb beim Bestellen von Teilen durchaus erforderlich, dass die Fahrgestell- und Motornummern angegeben werden.

Um eine prompte und sorgfältige Bedienung zu ermöglichen, wird die genaue Befolgung der auf den nachstehenden Seiten gegebenen Anweisungen empfohlen.

## Instructions for Ordering Parts

1. Stocks of spare parts for Morris cars are carried by authorised Morris Distributors and Dealers, who are able to execute expeditiously orders received from car owners. To obtain genuine Morris parts promptly it is always advisable to apply to the nearest Morris Distributor or Dealer in your locality.

In any case of difficulty please write to the Company.

2. In order to ensure prompt and correct execution of orders the following instructions should be carefully adhered to:—

Always state:—

- (a) MODEL.
- (b) CHASSIS and ENGINE NUMBERS.
- (c) PART NUMBER and DESCRIPTION as given in this list.
- (d) QUANTITY of each part required.
- (e) Definite FORWARDING INSTRUCTIONS, i.e. Post, Passenger or Goods Train.

3. In *Telegraphing*, use part number, code word, and give the CHASSIS NUMBER; always PRINT CODE WORD IN BLOCK CAPITALS and CONFIRM YOUR TELEGRAM BY LETTER OR ORDER at once. Give sufficient postal address for a parcel to find you. If away from home, give YOUR HOME ADDRESS IN ADDITION to dispatching instructions. Remember when sending a telegraphic money order that YOUR NAME AND ADDRESS MUST BE TELEGRAPHED AS A MESSAGE. If this is not done the order will arrive without any indication of the sender, as your signature on *back* of telegram is not telegraphed.

The following abbreviations may be used when Telegraphing orders:—

AIRWAYS	Send by Air Mail.
PASSENGER	Send by Passenger Train.
POST	Send by Parcel Post.
PASSCALL	Send by Passenger Train to be called for at Station.
GOODS	Send by Goods Train
C.O.D.	Send Cash on Delivery.

Always write in words the quantity of any particular part required, and use code word for name of part, thus: "PASSCALL TWO IMWAG PART 50444 CAR 1032," which would be deciphered by us as follows: "Send by Passenger Train, to be called for at Station, Two Front Hubs, Part No. 50444, for Car No. 1032."

Prefix letters in front of part numbers should always be quoted, except when code words are used, in which case the prefix letters are unnecessary.

4. In cases where there is any doubt, send the old part as a pattern, CARRIAGE PAID, clearly labelled with your name and address, and endorsed "PATTERN."

5. To ensure the instant dispatch of any part it is advisable to open a small deposit account.

### Claims for Shortages, etc.

All shipments are presumed to be complete, perfectly packed and in good order. When a damaged shipment is received, claim should be made immediately against the transportation company from whose hands shipment was taken. All claims for shortage or errors in packing must be made immediately upon receipt of shipment, and must be accompanied by the original packing slip.

### Proprietary Fittings

The Company only fits the highest grade and best-known proprietary fittings, but it gives no guarantee whatsoever in respect of tyres, lamps, distributors, electrical equipment, speedometers, clocks or any other proprietary fittings of any type supplied with its cars or otherwise inasmuch as such proprietary fittings are usually covered by a guarantee issued by their respective manufacturers.

All questions involving the replacement or repair of any such proprietary fittings should, therefore, be taken up direct with the manufacturers concerned, and not with Morris Motors Limited.

We will continue to execute direct orders for new proprietary parts as above, or same may be purchased from the nearest branch, service station, or agency of the respective makers.

The names and addresses of manufacturers of all proprietary fittings used on Morris cars are given on page ix.

### Claims under Guarantee

Claims for replacement or rectification of Morris parts under the guarantee should invariably be submitted for our consideration through an authorised Morris Distributor or Dealer, and it is advisable that a full technical report should accompany the alleged defective parts.

If a replacement part has already been obtained, the name and address of the Distributor or Dealer who supplied it should be stated.

In order that parts returned can be readily made up with the letter of advice and report, such PARTS MUST BE CLEARLY LABELLED WITH THE CHASSIS AND ENGINE NUMBERS, DEALER'S AND/OR OWNER'S NAME AND ADDRESS, and forwarded CARRIAGE PAID addressed to Morris Motors Ltd., Service Dept., Cowley, Oxford, England.

### Repairs and Patterns

Parts sent for repairs or as patterns must have carriage charges prepaid, and should be similarly labelled with sender's name and address for ready identification with letter of advice. Full instructions as to disposal of scrap parts must be given.

**MORRIS MOTORS LTD.**  
**COWLEY, OXFORD, ENGLAND**

Telephone:  
No. 7101 Oxford

Telex:  
Oxford Telex 3622

Telegrams:  
Voiturette, Telex, Oxford

Cables:  
Bentley's, Bentley's Second Floor,  
A.B.C. 5th & 6th Edinroad, Western  
Union and Private

Cables:  
Voiturette, Oxford

## Proprietary Fittings

The following Proprietary Equipment, and component parts, can be obtained by Dealers direct from the Manufacturers, as below, or will be supplied by the Service Department of Morris Motors Ltd. at list prices current from time to time.

All claims for replacement of alleged defective parts must be referred direct to the respective Manufacturers, or nearest Authorised Service Station.

<i>Name of Part.</i>	<i>Name and Address of Manufacturer.</i>	<i>Name of Part.</i>	<i>Name and Address of Manufacturer.</i>
Dynamo ... ..	Joseph Lucas Ltd., Great Hampton Street, Birmingham.	Petrol Gauge and Attachment (Elec.)	S. Smith & Sons (Motor Accessories) Ltd., Cricklewood Works, London, N.W. 2.
Starter ... ..	Ditto ditto	Speedometers and Cables ... ..	Ditto ditto
Starter Switch ... ..	Ditto ditto	Thermostat ... ..	Ditto ditto
Ignition Coil ... ..	Ditto ditto	Clocks ... ..	Ditto ditto
Distributor ... ..	Ditto ditto	Hydraulic Jacks ... ..	Ditto ditto
Switchbox ... ..	Ditto ditto	Oil Guns ... ..	Benton & Stone Ltd., Bracebridge Street, Birmingham.
Ammeter ... ..	Ditto ditto	Carburettors ... ..	The S.U. Carburetter Co. Ltd., East Works, Bordesley Green Road, Adderley Park, Birmingham.
Regulator Box ... ..	Ditto ditto	Petrol Pump ... ..	Ditto ditto
Cut-out ... ..	Ditto ditto	Tyres ... ..	Dunlop Rubber Co. Ltd., Fort Dunlop, Erdington, Birmingham.
Junction and Fusebox	Ditto ditto	Shock Absorbers (Armstrong)	Armstrong Patents Co. Ltd., Eastgate, Beverley, Yorks.
Battery ... ..	Ditto ditto	Shock Absorbers (Lexus)	Joseph Lucas Ltd., Dordrecht Road, Acton Vale, London, W.8.
Lamps ... ..	Ditto ditto	Mascot ... ..	Wilmot-Breeden Ltd., Eastern Works, Camden Street, Birmingham.
Electric Bulbs ... ..	Ditto ditto	Bumpers and Luggage Grid	Ditto ditto
Horn (Electric) ... ..	Ditto ditto	Radiators ... ..	To Authorised Morris Radiator Repair Stations.
Windscreen Wipers ... ..	Ditto ditto	Bendix Clutch Control ... ..	Bendix Ltd., King's Road, Tyseley, Birmingham.
Observation Mirrors ... ..	Ditto ditto	Sparking Plugs (A.C.) ... ..	The A.C. Sphinx Sparking Plug Co., Dunstable, Beds.
Direction Indicators and Bulbs ... ..	Ditto ditto	" " (Champion) ... ..	Champion Sparking Plug Co. Ltd., 83 Pall Mall, London, S.W.1.
		Oil Filter ... ..	Tecalemit Ltd., Great West Road, Brentford, Middx.
		Air Cleaner ... ..	A.C. Sphinx Ltd., Dunstable, Beds.



## Group Index

GROUP	PAGES	PLATE ILLUSTRATION	GROUP	PAGES	PLATE ILLUSTRATION
Engine ... ..	1-5	A	Bonnet ... ..	17-18	—
Flywheel and Clutch ... ..	5-6	B	Fuel System ... ..	18-19	H
Gearbox... ..	6-8	C	Number-plates ... ..	19	—
Rear Engine Mounting ... ..	8	C	Springs ... ..	19-20	H
Carburetter ... ..	9-10	D	Shock Absorbers ... ..	21	—
Controls ... ..	10-11	D	Brakes ... ..	21-24	J and K
Front Axle ... ..	11-12	E	Wheels ... ..	25	—
Rear Axle ... ..	12-13	F	Wings ... ..	25	—
Steering ... ..	13-14	G	Dash ... ..	25-26	—
Horn Push and Trafficator Control ... ..	14-15	G	Toeboards ... ..	26	—
Chassis Frame ... ..	15	H	Clips and Ferrules (Cable, etc.) ... ..	26-27	—
Bumpers ... ..	15-16	—	Electrical Equipment ... ..	27-30	L
Exhaust System ... ..	16	H	Body Details ... ..	30-38	—
Spare Wheel Carrier ... ..	16	—	Tools ... ..	38-39	—
Radiator ... ..	17	H			

# Alphabetical Index

A		PAGE			PAGE			PAGE
Absorber, Shock	...	21	Buffer, Seat	...	36	Clip, Exhaust Pipe	...	16
Abutment, Brake Cable Twin	...	21	Bulb, Direction Indicator	...	28	" Fume Vent Pipe	...	3
Arm, Distributor	...	28	" Instrument Panel	...	26	" Mirror Bracket	...	37
" Door Check	...	34	" Warning Light	...	26	" Petrol Pipe	...	18 & 19
" Steering	...	12	Bulbs, Lamps	...	28	" Seat Steady	...	36
" Steering Drop	...	14	Bumpers	...	15	" Tappet Breather Elbow	...	2
" Track Rod	...	11	Bush, Brake Pedal	...	23	Clips, Cable, etc.	...	26 & 27
" Windscreen Wiper	...	31	" Clutch Fork Shaft	...	6	" Carburetter Pipe	...	3
Armature, Dynamo and Starter	...	29	" Clutch Pedal	...	5	" Road Spring	...	19 & 20
Attachment, Hood	...	37	" Connecting Rod	...	1	Coil, Dynamo and Starter Field	...	29
" Petrol Gauge	...	18	" Dynamo Bearing	...	29	" Ignition	...	28
			" Gearbox Drive Gear	...	1	Condenser, Distributor	...	28
			" Layshaft	...	7	Connection, Oil Pump Shaft	...	4
			" Oil Pump Body	...	4	" Radiator Hose	...	17
			" Oil Pump Shaft	...	4	Connector, Starter Control	...	11
			" Reverse Gear	...	7	" Wiring Cable Snap	...	27
			" Road Spring	...	19 & 20	Contact Set, Distributor	...	28
			" Steering Knuckle	...	11	Control, Horn Push, Dipper Switch and Trafficator	...	14
			Button, Horn Push	...	14	" Mixture	...	10
			" Plug	...	26 & 38	" Starter	...	10
						" Windscreen	...	30
						Core, Radiator	...	17
						Cotter, Swivel Pin	...	11
						Cover, Brake Adjuster Cam	...	22 & 23
						" Carburetter Float-chamber	...	9
						" Cylinder Block Oil Seal	...	1
						" Distributor Moulding	...	28
						" Drive Gear Oil Seal	...	7
						" Gearbox	...	8
						" Oil Pump Body	...	4
						" Regulator	...	26
						" Shock Absorber	...	21
						" Spare Wheel	...	16
						" Steering Box Bottom End and Side	...	14
						" Tappet	...	2
						Crankshaft	...	1
						Crown Wheel and Pinion	...	13
						Cups, Brake Master and Wheel Cylinder	...	23 & 24
						Cylinder, Brake Master and Wheel	...	28 & 24
						Cylinder Block	...	1
						Cylinder Head	...	1
						<b>D</b>		
						Distributor	...	28
						Dog, Mainshaft Striking	...	6
						" Starting Handle	...	5
						Draglink	...	12
						Drum, Front and Rear Brake	...	22
						Dynamo	...	29
						<b>E</b>		
						End Draglink	...	12
						" Track Rod	...	11
						Envelope, Hood	...	37
						Excrider, Track Rod Dust	...	11
						Extension, Toeboard	...	26
						<b>F</b>		
						Fastener, Carpet Mat	...	37
						Ferrule, Bumper	...	15 & 16





**SPARE PARTS LIST**

**THE MORRIS EIGHT (Series "E")**

DESCRIPTION	Commencing Engine No. 501		Commencing Engine No.		Commencing Engine No.		Commencing Engine No.		Commencing Engine No.		Commencing Engine No.		Commencing Engine No.		REMARKS
	No. Used	Std. Pkgs.	Part No.	Illus. No.	Part No.	Illus. No.	Part No.	Illus. No.	Part No.	Illus. No.	Part No.	Illus. No.	Part No.	Illus. No.	
<b>CYLINDER BLOCK AND HEAD</b>															
CYLINDER BLOCK (with pistons, rings and gudgeon pins) .....	1		SA1501/6	A1											
Core hole plug .....	2	24	CA1056												
" " (camshaft) .....	1	24	X15002												
Oil seal cover .....	1		X15484	A2											
Oil seal cover gasket .....	1	12	X15008	A3											
Oil seal cover bolt .....	8	24	X15009	A4											
Dowel .....	2		X15016												
Oil gallery plug (front) .....	1		JA5712												
" " (rear) .....	1		X15898												
Oil feed plug .....	2		X22968												
CYLINDER HEAD .....	1		X15549	A5											
Gasket .....	1	10	X15567	A6											
Stud (short) .....	4	24	X15568	A7											
" (medium) .....	5	24	X15020	A8											
" (long) .....	4	12	X17207	A9											
Stud nut .....	18	24	QA11128	A10											
<b>CRANKSHAFT</b>															
CRANKSHAFT .....	1		X15547	A11											
Bush (drive gear) .....	1		OA10688	A12											
Gear .....	1		X15025	A13											
Gear key .....	1	24	JA5255	A14											
Oil thrower .....	1	6	X15027	A15											
Nut .....	1	6	X15029	A16											
Nut washer .....	1		X15424	A17											
Nut shim .....	as req.		X15080	A18											
Bearing (front) .....	1 pr.		SA1587/4	A19											
" (centre) .....	1 pr.		SA1587/5	A20											
" (rear) .....	1 pr.		SA1587/4	A21											
Bearing cap (front) .....	1		X15561	A22											
" " (centre) .....	1		X15561	A23											
" " (rear) .....	1		SA1526/1	A24											
Bearing cap seal (rear) .....	1		X15088	A25											
Bearing cap drain pipe (rear) .....	1		X15205	A26											
Bearing stud (front and centre) .....	4	24	X15878												
" " (rear) .....	2		X15089												
Bearing stud nut .....	6	48	CA1008												
Chain (timing) .....	1		X15047	A27											
<b>CONNECTING RODS, PISTONS AND RINGS</b>															
CONNECTING ROD assembly .....	4		SA1507/2	A28											
CONNECTING ROD and cap .....	4		SA1542												
Bush .....	8	10	X15555	A29											
Cap bolt .....	8	24	RA12022	A30											
Cap bolt nut .....	8	48	CB2094	A31											
GUDGEON PIN .....	4		RA12023	A32											
Clamp screw .....	4	48	RA12024	A33											
PISTON with rings and gudgeon pin .....	4		SA1508/6	A34											
Ring (top) .....	8	24	X15672	A35											
" (bottom) .....	4	24	X15673	A36											

**SPARE PARTS LIST**
**THE MORRIS EIGHT (Series "E")**

DESCRIPTION	No. Used	Std. Pkgs.	Commencing Engine No. 501		Commencing Engine No.		Commencing Engine No.		Commencing Engine No.		Commencing Engine No.		Commencing Engine No.		REMARKS
			Part No.	Illus. No.	Part No.	Illus. No.	Part No.	Illus. No.	Part No.	Illus. No.	Part No.	Illus. No.	Part No.	Illus. No.	
<b>CAMSHAFT, VALVES AND TAPPETS</b>															
CAMSHAFT .....	1		X15461	A87											
Gear .....	1		X15044	A38											
Gear key .....	1	24	JA5255	A39											
Thrust screw .....	1	24	MA8536	A40											
Thrust screw washer .....	1	24	X15168	A41											
Thrust screw lock washer .....	1	24	X15169	A42											
Thrust spring .....	1		X15170	A43											
Thrust spring rivet .....	2		X15171												
VALVE .....	8	12	X15048	A44											
Spring .....	8	16	X15608	A45											
Spring cap .....	8	24	X15165	A46											
Spring cap retainer .....	8	prs. 48	X15166	A47											
Guide .....	8	12	X15167	A48											
TAPPET .....	8		X15612	A49											
Adjusting screw .....	8	48	CA69	A50											
Adjusting screw lock nut .....	8	48	CA70	A51											
Cover .....	1		X15597	A52											
Cover gasket .....	1	12	X15598	A53											
Cover stud .....	2		X15005												
Cover stud wing nut .....	2	24	X15006	A54											
Cover stud washer .....	2	48	LA7088	A55											
Breather elbow clip .....	1		X15252	A56											
Breather elbow clip bolt .....	1		QA11252	A57											
Clip bolt nut .....	1	24	CA1254	A58											
<b>FRONT ENGINE SUPPORT AND TIMING CASE</b>															
FRONT BEARER PLATE .....	1		X15501	A59											
Gasket .....	1		X15011	A60											
Bolt .....	2	24	X15012	A61											
" (small head) .....	2		X15336	A62											
FRONT SUPPORT BLOCK .....	2		84636	A63											
Nut (to engine) .....	2	48	EZ510												
" (to frame) .....	4	24	EZ504												
Plain washer (to frame) .....	4		7670												
" " (to engine) .....	2		7656												
TIMING CASE .....	1		X15554	A64											
Gasket .....	1		X15057	A65											
Bolt (long) .....	1	24	X15058	A66											
" (short) .....	2		X15059	A67											
" (slotted head) .....	1		X15186	A68											
Packing (top) .....	1		X15191	A69											
" (bottom) .....	1		X15060	A70											
<b>DYNAMO FIXING AND PULLEY</b>															
Dynamo pulley .....	1		X15391	A71											
Dynamo bracket .....	1		X15588	A72											
Dynamo bracket bolt .....	2	24	JA5052	A73											
Dynamo swivel bolt (front) .....	1		CA1123	A74											
" " " (rear) .....	1	12	51588	A75											
Dynamo swivel bolt nut .....	2	24	CA1126	A76											

**SPARE PARTS LIST**

**THE MORRIS EIGHT (Series "E")**

DESCRIPTION	No. Used	Std. Pkgs.	Commencing Engine No. 501		Commencing Engine No.		Commencing Engine No.		Commencing Engine No.		Commencing Engine No.		Commencing Engine No.		REMARKS
			Part No.	Illus. No.	Part No.	Illus. No.	Part No.	Illus. No.	Part No.	Illus. No.	Part No.	Illus. No.	Part No.	Illus. No.	
<b>Dynamo Fixing and Pulley—continued</b>															
Dynamo swivel bolt washer (plain)	2	.....	X15176												
Dynamo bolt (adjusting)	1	24	JA5052	A77											
Dynamo bolt nut	1	24	CA1126	A78											
Dynamo bolt washer	1	.....	50289												
Dynamo link	1	.....	X15589	A79											
Dynamo link bolt	1	.....	OAI0077	A80											
<b>EXHAUST MANIFOLD</b>															
MANIFOLD	1	.....	SA1509/6	A81											
Gasket	1	12	X15551	A82											
Stud	4	24	LA7085	A83											
Stud nut	4	12	LA7084	A84											
Core plug	2	.....	X23002												
Gasket (carburetter)	1	48	8791	A85											
" (carburetter) (Hallite)	1	.....	X15615	A86											
Stud (carburetter)	2	.....	MA3662	A87											
Stud nut	2	24	CA1254												
<b>FUME PIPE</b>															
VENT PIPE	1	.....	82029	A88											
Clip	1	.....	82030	A89											
Clip bolt	1	24	86885	A90											
Clip bolt nut	1	24	EZ503	A91											
Support	1	.....	X15401	A92											
<b>CARBURETTER PIPE AND AIR SILENCER</b>															
PIPE..... 2-seater and Tourer	1	.....	X15585	A93											
Ditto ..... Saloons	1	.....	X15644	A93											
Bolt	2	24	CA1122	A94											
Clip	1	.....	X15587	A95											
Washer	1	.....	X15613												
SILENCER..... 2-seater and Tourer	1	.....	X15586	A96											
Ditto ..... Saloons	1	.....	X15647	A96											
Support..... 2-seater and Tourer	1	.....	X15649	A97											
" ..... Saloons	1	.....	X15646	A97											
Clip..... 2-seater and Tourer	1	.....	X15648	A98											
" ..... Saloons	1	.....	X15645	A98											
Clip bolt (to support)	1	.....	LB7905	A99											
Clip bolt nut	1	24	CA1254	A100											
Bolt (to cylinder head)	1	24	JA5384	A101											
<b>WATER INLET PIPE</b>															
PIPE	1	.....	X15509	A102											
Gasket	1	.....	X15582	A103											
Bolt	2	24	JA5052	A104											

**SPARE PARTS LIST**

**THE MORRIS EIGHT (Series " E ")**

DESCRIPTION	Commencing Engine No. 501		Commencing Engine No.		Commencing Engine No.		Commencing Engine No.		Commencing Engine No.		Commencing Engine No.		REMARKS
	No. Used	Std. Pkgs.	Part No.	Illus. No.	Part No.	Illus. No.	Part No.	Illus. No.	Part No.	Illus. No.	Part No.	Illus. No.	
<b>LUBRICATION SYSTEM</b>													
OIL PUMP assembly .....	1		SA1510/2										
Body with bushes .....	1		SA1511/1	A105									
Body bush .....	2		X15075	A106									
Body bolt .....	2		JA5003	A107									
Body gauze .....	1		X15626	A108									
Body cover .....	1		X15572	A109									
Body cover bolt .....	4		JA5117	A110									
Body cover stud fibre washer.....	1		X15620	A111									
Body cover stud spring washer....	1		X15580	A112									
Body hood plain washer .....	1		X15440	A118									
Body cover stud (for hood) .....	1		X15619										
Body cover stud nut .....	1		JA5668	A114									
Body hood .....	1		X15577	A115									
Body hood gasket .....	1		X15578	A116									
Body plug .....	1		JA5688										
Shaft .....	1		X15505	A117									
Shaft gear .....	1		X15080	A118									
Shaft bush .....	1		X15081	A119									
Shaft bush dowel .....	1		X15082	A120									
Shaft connection.....	1		X15088	A121									
Shaft connection pin .....	1		LA7086	A122									
Gear (driver) .....	1		X15078	A123									
Gear key .....	1	24	JA5255	A124									
Gear (driven).....	1		X15076	A125									
Gear pin .....	1		X15077	A126									
Distributor shaft assembly.....	1		SA1544/1	A127									
Distributor shaft .....	1		X15574										
Distributor drive sleeve .....	1		X15089										
Distributor drive sleeve pin .....	1		LA7086										
Release plug .....	1		X15091	A128									
Release plug lock wire .....	1		X15196										
Release pad .....	1		X15601	A129									
Release spring .....	1	24	X15093	A130									
Release spring ball .....	1	144	CA1230	A131									
SUMP .....	1		SA1535/1	A132									
Gasket.....	1	25	X15285	A133									
Drain plug .....	1	6	X15267	A134									
Drain plug washer .....	1	24	CA1216	A135									
Bolt (to block) (short) .....	8		X15268	A136									
" (to block) (medium) .....	2		X15507	A137									
" (to block) (long) .....	2		X15269	A138									
" (to gearbox).....	3	24	JA5052										
Oil level indicator .....	1		X15628	A139									
Oil filler .....	1		SA1512/3	A140									
Oil filler cap (with sleeve and washer)	1		SA1513/2	A141									
Oil test union .....	1		X15257	A142									
Oil test union washer .....	1	24	JA5411										
Tray .....	1		X15508	A143									
Tray bolt .....	3	24	JA5384	A144									
Tray washer .....	8		LA7087	A145									

**SPARE PARTS LIST**

**THE MORRIS EIGHT (Series "E")**

DESCRIPTION	No. Used	Std. Pkgs.	Commencing Engine No. 501		Commencing Engine No.		Commencing Engine No.		Commencing Engine No.		Commencing Engine No.		Commencing Engine No.		REMARKS
			Part No.	Illus. No.	Part No.	Illus. No.	Part No.	Illus. No.	Part No.	Illus. No.	Part No.	Illus. No.	Part No.	Illus. No.	
<b>STARTING HANDLE</b>															
HANDLE assembly .....	1		39161												
Guide .....	1		84298												
Guide bolt (to front cross member) .....	1	24	66859												
" (to frame) .....	1	24	66859												
Guide bolt nut .....	2	24	EZ504												
Dog .....	1	6	X15029	A16											
Dog shim .....	as req.		X15030	A18											
<b>FAN</b>															
Pulley (crankshaft) .....	1		X15485	A146											
Pulley washer .....	1		X15424	A17											
Pulley key .....	1	24	JA5255	A147											
Blade .....	1		X15055	A148											
Blade bolt .....	2	24	CA1122	A149											
Belt .....	1		X20538	A150											
<b>FLYWHEEL</b>															
FLYWHEEL (with starter ring) .....	1		SA1519/2	B1											
Bolt .....	4		X15101												
Bolt lock wire .....	1		CA1024												
Taper pin .....	2		X15102	B2											
<b>CLUTCH</b>															
PEDAL .....	1		X15602	B8											
Pad .....	1		X15670	B4											
" (rubber) .....	1		58180	B5											
Pad bolt .....	1	24	JA5052	B6											
Pad bolt nut .....	1	24	CA1126	B7											
Stop bolt .....	1		X15632	B8											
Stop bolt locknut .....	1		X22687	B9											
Lever .....	1		X15608	B10											
Lever stop bolt .....	1		X22832	B11											
Lever stop bolt lock nut .....	1		X22687	B12											
Lever spring .....	1		X15605	B18											
Lever taper pin .....	1		X15109	B14											
Lever spring washer .....	1		X15248												
Bush .....	1		84642	B15											
Pull-off spring .....	1		80494	B16											
Link .....	1		84640	B17											
Link pin .....	1		81326	B18											
Link pin washer .....	1		7651	B19											
Link nut (to pedal) .....	2	24	EZ504	B20											
Bolt (to frame brace) .....	1		39191	B21											
Bolt shakeproof washer .....	1		55506												
Bolt tie strip .....	1		84641												
Tie strip bolt (to cross member) .....	1	24	54515												
Tie strip bolt nut .....	1	24	EZ504												
Greaser .....	1		100325												

**SPARE PARTS LIST**

**THE MORRIS EIGHT (Series "E")**

DESCRIPTION	Commencing Engine No. 501		Commencing Engine No.		Commencing Engine No.		Commencing Engine No.		Commencing Engine No.		Commencing Engine No.		Commencing Engine No.		REMARKS
	No. Used	Std. Pkgs.	Part No.	Illus. No.	Part No.	Illus. No.	Part No.	Illus. No.	Part No.	Illus. No.	Part No.	Illus. No.	Part No.	Illus. No.	
<b>Clutch—continued</b>															
<b>FORK</b>															
FORK.....	1		X15111	B22											
Taper pin .....	1		X15109	B23											
Shaft .....	1		X15604	B24											
Shaft circlip.....	1		X15263	B25											
Shaft bush .....	2		X15115												
Thrust ring assembly .....	1		SA1523	B26											
Thrust plate .....	1		X15225	B27											
Thrust ring retaining wire .....	2		X19867	B28											
<b>COVER-PLATE assembly</b> .....	1		SA1522/1	B29											
Bolt (to flywheel).....	6	24	CA1122	B30											
Dowel .....	2		X19237	B31											
Lever.....	3		X15227	B32											
Lever spring .....	3		X15229	B33											
Lever anchor plate .....	3		X15233	B34											
Thimble .....	6		X15220	B35											
Spring .....	6	24	X15221	B36											
<b>PRESSURE PLATE</b> .....	1		X15219	B37											
Stud .....	3	24	X15234	B38											
Stud lock washer .....	3		X15235	B39											
Stud nut .....	3		X15232	B40											
Stud nut lock washer .....	3	24	X15231	B41											
<b>DRIVEN PLATE assembly</b> .....	1		SA1524	B42											
Lining .....	2		X15210	B43											
Lining rivet .....	10	144	X15211	B44											
<b>GEARBOX</b>															
<b>GEARBOX assembly</b> .....	1		SA1516/3												
Casing .....	1		SA1514/3	C1											
Drain plug .....	1	6	CA1215	C2											
Drain plug gasket .....	1	24	CA1216	C3											
Oil level indicator .....	1		X15017	C4											
Bolt (to block) .....	4	24	CA1258	C5											
" (to sump) .....	3	24	JA5052												
<b>MAINSHAFT (with bush)</b> .....	1		SA1531/2	C6											
Bearing .....	1		X15625	C7											
Bearing plate .....	1		X15518	C8											
Bearing guard .....	1		X15624	C9											
Bearing circlip .....	1		X15517	C10											
Circlip .....	1		X15120	C11											
Sliding hub (1st and 2nd) .....	1		X15403	C12											
Sliding hub spring .....	6		X15669	C13											
Sliding hub ball .....	6		X15173	C14											
Sliding hub and cone assembly (top and 3rd) .....	1		SA1503/1	C15											
Sliding hub spring .....	6		X15127	C16											
Sliding hub ball .....	6		X15173	C17											
Striking dog .....	1		X15124	C18											
1st speed gear.....	1		X15560	C19											
2nd speed gear with cone .....	1		SA1543	C20											
3rd speed gear .....	1		X15490	C21											
Plunger .....	2		MA3756	C22											
Plunger spring .....	2		MA3757	C23											
Thrust washer .....	2	12	X15178	C24											

**SPARE PARTS LIST**

**THE MORRIS EIGHT (Series "E")**

DESCRIPTION	No. Used	Std. Pkgs.	Commencing Engine No. 501		Commencing Engine No.		Commencing Engine No.		Commencing Engine No.		Commencing Engine No.		Commencing Engine No.		REMARKS
			Part No.	Illus. No.	Part No.	Illus. No.	Part No.	Illus. No.	Part No.	Illus. No.	Part No.	Illus. No.	Part No.	Illus. No.	
<b>Gearbox—continued</b>															
Distance piece .....	1		X15522	C25											
Universal joint flange .....	1		X15545	C26											
Universal joint flange nut .....	1		X17356	C27											
Universal joint flange washer .....	1		QA11200	C28											
<b>LAYSHAFT</b>	1		X15528	C29											
Bush .....	2		X15182	C80											
Gear unit with bushes .....	1		SA1517/1	C81											
Thrust washer (front) .....	1		X15524	C82											
"    "    (rear) .....	1		X15525	C83											
Screw .....	1		X15185	C84											
Plug .....	2		X15188	C85											
<b>DRIVE GEAR (with bush)</b>	1		SA1521/1	C86											
Bearing .....	1		X15625	C87											
Bearing guard .....	1		X15119	C88											
Bearing circlip .....	1		X15517	C89											
Bearing tab washer .....	1		X15182	C40											
Bearing nut .....	1		X15181	C41											
Spigot bearing .....	1		X15075	C42											
Oil seal cover .....	1		X15518	C43											
Oil seal cover gasket .....	1		X15514	C44											
Oil seal cover bolt .....	3	12	X15175	C45											
Oil seal cover plain washer .....	1		X15278	C46											
<b>REVERSE GEAR (with bush)</b>	1		SA1515/1	C47											
Bush .....	1		X17842	C48											
Shaft .....	1		X15527	C49											
Shaft screw .....	1		X17846	C50											
Shaft plug .....	1		LA7895	C51											
<b>FIRST and SECOND GEAR SHIFTER</b>	1		X15531	C52											
Shaft .....	1		X15666	C53											When issued for cars prior to Engine No. 19086 always supply in addition 1 off Part No. X15668
Shaft screw .....	2		MA8641	C54											
2nd speed gear stop .....	1		X22851	C55											
Ball .....	1	144	CA1279	C56											
Ball spring .....	1		X15668	C57											
<b>THIRD and FOURTH GEAR SHIFTER</b>	1		X15529	C58											
Shaft .....	1		SA1545/1	C59											When issued for cars prior to Engine No. 19086 always supply in addition 1 off Part No. X15668
Shaft screw .....	2		MA8641	C60											
Ball .....	1	144	CA1279	C61											
Ball spring .....	1		X15668	C62											
Selector .....	1		X15634	C63											
<b>REVERSE GEAR SELECTOR</b>	1		X15588	C64											
Shaft .....	1		X15667	C65											When issued for cars prior to Engine No. 19086 always supply in addition 1 off Part No. X15668
Shaft screw .....	2		MA8641	C66											
Shaft steady .....	1		X22850	C67											
Plunger .....	1		X17186	C68											
Plunger spring .....	1		MA8645	C69											
Plunger ball .....	1	144	CA1279	C70											
Plunger ball spring .....	1	24	MA8648	C71											
Ball .....	1		CA1279	C72											
Ball spring .....	1		X15668	C73											
<b>REVERSE GEAR SHIFTER LEVER</b>	1		X15536	C74											
Pin .....	1		X17350	C75											
Pin nut .....	1		JA5088	C76											
Pin washer .....	1		X15176	C77											
Pin (centre) .....	1		X15535	C78											
"    (bottom) .....	1		X15537	C79											

**SPARE PARTS LIST**

**THE MORRIS EIGHT (Series "E")**

DESCRIPTION	Commencing Engine No. 501		Commencing Engine No.		Commencing Engine No.		Commencing Engine No.		Commencing Engine No.		Commencing Engine No.		Commencing Engine No.		REMARKS
	No. Used	Std. Pkgs.	Part No.	Illus. No.	Part No.	Illus. No.	Part No.	Illus. No.	Part No.	Illus. No.	Part No.	Illus. No.	Part No.	Illus. No.	
<b>Gearbox—continued</b>															
INTERLOCK BALL.....	2	144	CA1279	C80											
Pin.....	1		MA8648	C81											
Pin rivet.....	1		MA8649												
Hole plug.....	1		MA8650												
COVER.....	1		X15538	C82											
Ditto (rubber).....	1		84188												
Screw (to propellor shaft tunnel) ..	2		80408												
" (to propellor shaft tunnel) ..	1		89822												
Gasket.....	1		X15539	C83											
Stud.....	4	24	CB1717	C84											
Stud nut.....	4	24	CA1128	C85											
Plug.....	1		SA1840	C86											
Plug gasket.....	1	24	CA1216	C87											
CHANGE SPEED LEVER.....	1		SA1532/1	C88											
Knob.....	1		QA11672	C89											
Knob lock nut.....	1		MA8654	C90											
Felt washer.....	1		X22672	C91											
Felt washer retainer.....	1		X22673	C92											
Felt washer retainer screw.....	1		X22674	C93											
Supporting spring.....	1		X22676	C94											
Snug.....	2		X22852	C95											
<b>SPEEDOMETER GEARS</b>															
CASING.....	1		X15540	C96											
Gasket.....	1		X15541	C97											
Stud (long).....	2		X15542	C98											
" (medium).....	1		X20167												
" (short).....	8	24	CB1717	C99											
Stud nut.....	4	24	CA1128	C100											
Bearing.....	1		QA11033	C101											
Bearing guard.....	1		X15119	C102											
Bearing felt washer.....	1		X19147	C103											
GEAR.....	1		X15543	C104											
PINION.....	1		X15544	C105											
Bearing.....	1		X20517	C106											
Bearing screw.....	2	24	CB1979	C107											
Bearing screw lock wire.....	1		CB1980												
<b>REAR ENGINE MOUNTING</b>															
MOUNTING RUBBER.....	2		84637	C108											
Nut (to engine).....	2	48	EZ510	C109											
Bolt (to speedometer casing).....	2	24	66841	C110											
Bolt shakeproof washer.....	4		55459												
Nut (to cross member).....	4	24	EZ504												
Plain washer (to cross member) ..	4		95272												

**SPARE PARTS LIST**

**THE MORRIS EIGHT (Series " E ")**

DESCRIPTION	No. Used	Std. Pkgs.	Commencing Chassis No. 101		Commencing Chassis No.		Commencing Chassis No.		Commencing Chassis No.		Commencing Chassis No.		Commencing Chassis No.		REMARKS
			Part No.	Illus. No.	Part No.	Illus. No.	Part No.	Illus. No.	Part No.	Illus. No.	Part No.	Illus. No.	Part No.	Illus. No.	
<b>CARBURETTER</b>															
CARBURETTER complete .....	1		X15599												
Body .....	1		39224	D1											
Filter .....	1		21175	D2											
FLOAT-CHAMBER with stud .....	1		65213	D3											
Stud .....	1		65214	D4											
Cover .....	1		65216	D5											
Cover cap .....	1		67566	D6											
Cover nut .....	1		65217	D7											
Holding-up bolt .....	1		36649	D8											
Holding-up bolt washer (top) .....	1		45123	D9											
" " " (bottom) .....	1		47162	D10											
FLOAT .....	1		65215	D11											
Balance lever .....	1		65218	D12											
Balance lever pin .....	1		65478	D13											
Needle .....	1		46728	D14											
Needle seat .....	1		66579	D15											
Tickler pin .....	1		65221	D16											
Tickler pin spring .....	1		65222	D17											
SUCTION CHAMBER with piston and rod .....	1		39232	D18											
Oil cap .....	1		21158	D19											
Oil cap washer .....	1		46144												
Screw (long) .....	1		21160	D20											
" (short) .....	1		21159												
THROTTLE SPINDLE .....	1		39225	D21											
Disc .....	1		16978	D22											
Disc screw .....	2		47146	D23											
Lever (clip on) .....	1		39226	D24											
Lever clamp bolt .....	1		46655	D25											
Lever clamp bolt nut .....	1		46656	D26											
Lever (and jet) (intermediate) .....	1		39227	D27											
Lever pivot pin .....	1		67578	D28											
Lever pivot pin washer .....	1		39229												
Stop lever .....	1		39230	D29											
Stop lever adjusting screw .....	2		35823	D30											
Stop lever adjusting screw spring .....	2		35584	D31											
JET with head .....	1		41163	D32											
Link .....	1		39231	D33											
Link pin (long) .....	1		21142	D34											
" " (short) .....	2		35858	D35											
Lever .....	1		39228	D36											
Lever return spring .....	1		66929	D37											
Screw .....	1		67145	D38											
Needle .....	1		16982	D39											
Needle screw .....	1		35859	D40											
Copper washer (top) .....	1		21154	D41											
" " (bottom) .....	1		67148	D42											
Body (top half) .....	1		67146	D43											
" (bottom half) .....	1		67147	D44											
Sealing washer (langite) .....	1		21150	D45											
" " (brass) .....	1		21149	D46											
Gland washer (cork) .....	1		65967	D47											
" " (brass) .....	1		21151	D48											
Gland spring .....	1		65223	D49											
Adjusting nut .....	1		21153	D50											

**SPARE PARTS LIST**

**THE MORRIS EIGHT (Series "E")**

DESCRIPTION	Commencing Chassis No. 101		Commencing Chassis No.		Commencing Chassis No.		Commencing Chassis No.		Commencing Chassis No.		Commencing Chassis No.		Commencing Chassis No.		REMARKS
	No. Used	Std. Pkgs.	Part No.	Illus. No.	Part No.	Illus. No.	Part No.	Illus. No.	Part No.	Illus. No.	Part No.	Illus. No.	Part No.	Illus. No.	
<b>Carburettor—continued</b>															
Adjusting spring .....	1		21146	D51											
BANJO UNION BOLT .....	1		53164	D52											
Fibre washer .....	2		21168	D53											
<b>ACCELERATOR</b>															
PEDAL .....	1		84740	D54											
Roller .....	1		82757	D55											
Roller felt washer .....	1		54895	D56											
Sleeve .....	1		82756	D57											
Bearing .....	1		84741	D58											
Bearing "U" bolt .....	1		84742	D59											
"U" bolt nuts .....	2	24	EZ503	D60											
Lever .....	1		84746	D61											
Lever clamp bolt .....	1	24	66849	D62											
Lever clamp bolt nut .....	1	24	EZ503	D63											
Lever clamp bolt washer .....	1		38878	D64											
Washer .....	1		7656												
Return spring (carburettor lever) ..	1		84752	D65											
Return spring bracket .....	1		84180	D66											
Cable assembly .....	1		84743												
Cable (male) .....	1		95196	D67											
" (female) .....	1		66633	D68											
Cable stop bracket .....	1		84744	D69											
Cable stop bracket clip .....	1		39216	D70											
Cable stop bracket clip bolt .....	1		39217	D71											
Cable clip (cylinder head) .....	1		X15616	D72											
Cable clip bolt .....	1	24	X15009	D73											
Cable clip screw .....	1		39218	D74											
Cable clip screw nut .....	1	24	3138	D75											
Cable nut (to stop bracket) .....	1	24	EZ503	D76											
Cable pin (carburettor lever) .....	1		50638	D77											
Cable pin nut .....	1	24	EZ503	D78											
Cable pin washer .....	1		7669	D79											
Cable eye bolt .....	1		95243	D80											
<b>MIXTURE CONTROL</b>															
CONTROL assembly .....	1		84534	D81											
Sub-assembly (male) .....	1		39251	D82											
" (female) .....	1		39250	D83											
Wire .....	as req.		66634	D84											
Pin (carburettor lever) .....	1		50638	D85											
Pin nut .....	1	24	EZ503	D86											
Pin washer .....	1		7669	D87											
Washer (panel) .....	1		50320												
Body lock nut .....	1		37526	D88											
<b>STARTER CONTROL</b>															
CONTROL assembly .....	1		84564	D89											
Sub-assembly (male) .....	1		39253	D90											
" (female) .....	1		39252	D91											
Clamp screw (to dash) .....	1		3429												
Clamp screw nut .....	1		36914												

**SPARE PARTS LIST**

**THE MORRIS EIGHT (Series "E")**

DESCRIPTION	No. Used	Std. Pkgs.	Commencing Chassis No. 101		Commencing Axle No. 13731		Commencing No.		Commencing Chassis No.		Commencing Chassis No.		Commencing Chassis No.		REMARKS
			Part No.	Illus. No.	Part No.	Illus. No.	Part No.	Illus. No.	Part No.	Illus. No.	Part No.	Illus. No.	Part No.	Illus. No.	
<b>Starter Control—continued</b>															
Connector .....	1		39257	D92											
Connector screw .....	2		39258	D93											
Body lock nut .....	1		87533	D94											
Wire .....	as req.		66334	D95											
<b>FRONT AXLE</b>															
AXLE BEAM .....	1		100454	E1	100527	E1									
STEERING KNUCKLE O/S .....	1		100542	E2	100690	E2									
Ditto N/S .....	1		100543	E3	100691	E3									
Bush .....	4	12	100448	E4											
Nut O/S .....	1		52991	E5											
" N/S .....	1		52992	E6											
Washer .....	2	12	100677	E7											
Lock stop .....	2		100526	E8											
Grease retainer .....	2	12	100678	E9											
Grease retainer felt .....	2	24	37000	E10											
Plug .....	2		100017	E11											
SWIVEL PIN .....	2	10	81881	E12											
Cotter .....	2	24	1681	E13											
Cotter nut .....	2	24	EZ504	E14											
Thrust washer .....	2	12	81882	E15											
Felt washer .....	2		100658	E16											
Felt washer retainer .....	2		100659	E17											
Bolt (top) .....	2	24	82113	E18											
Bolt washer .....	2		38878	E19											
Bolt shakeproof washer .....	2		55764	E20											
Greaser .....	4		100525												
FRONT HUB (with studs) .....	2		100647	E21											
Bearing (large) .....	2	6	35152	E22											
" (small) .....	2	6	53851	E23											
Bearing distance piece .....	2		35147	E24											
Distance washer .....	2	10	35146	E25											
Felt washer .....	2	24	35154	E26											
TRACK ROD assembly .....	1		100648												
Ditto (bare) .....	1		100462	E27											
End O/S .....	1		100474	E28											
" N/S .....	1		100475	E29											
End plug .....	2		100427	E30											
End cup .....	2		100476	E31											
End dust excluder .....	2	12	53012	E32											
Spring plunger .....	2	12	53014	E33											
Plunger spring .....	2	24	53015	E34											
Ball end .....	2		100477	E35											
Ball end nut .....	2	24	3505	E36											
Ball end dust excluder (inner) .....	2		100496	E37											
" " " (outer) .....	2		100497	E38											
Lock nut O/S .....	1	12	35497	E39											
" " N/S .....	1	12	35499	E40											
Greaser .....	2		16226	E41											
Arm O/S .....	1		100458	E42											
" N/S .....	1		100459	E43											
Arm key .....	2		30217	E44											
Arm nut .....	2		16335	E45											

Finishes at Axle No. 17370

**SPARE PARTS LIST**

**THE MORRIS EIGHT (Series "E")**

DESCRIPTION	No. Used	Std. Pkgs.	Commencing Chassis No. 101		Commencing Chassis No.		Commencing Chassis No.		Commencing Chassis No.		Commencing Chassis No.		Commencing Chassis No.		REMARKS
			Part No.	Illus. No.	Part No.	Illus. No.	Part No.	Illus. No.	Part No.	Illus. No.	Part No.	Illus. No.	Part No.	Illus. No.	
<b>Front Axle—continued</b>															
DRAGLINK .....	1		95182	E46											
End (steering end) .....	1		84281	E47											
End lock nut .....	1	12	85497	E48											
End plug (inner) .....	1		85948												Finishes at Chassis No. 19004
End cup .....	1	20	85946	E49											
Ball .....	1		100477	E50											
Ball nut .....	1	24	8505	E51											
Ball cup .....	1	20	85945	E52											
Ball cup spring .....	1	20	85948	E53											
End plug (outer) .....	1	20	83010	E54											
End (drop arm) .....	1		84282	E55											
End lock nut .....	1	12	85497	E56											
End plug (inner) .....	1		85948												Finishes at Chassis No. 19004
End plug spring .....	1	20	85948	E57											
Ball cup .....	1	20	85945	E58											
Ball .....	1		100477	E59											
Ball nut .....	1	24	8505												
End plug (outer) .....	1	20	85944	E60											
Greaser .....	1		4798	E61											
" .....	1		16226	E62											
STEERING ARM .....	1		100456	E63											
Key .....	1		80217	E64											
Nut .....	1		16335	E65											
SHOCK ABSORBER SUPPORT .....	2		84450	E66											
Nut .....	2	48	EZ510	E67											
Shakeproof washer .....	2		55459												
<b>REAR AXLE</b>															
AXLE HOUSING .....	1		100466	F1											
Dowel .....	8		85173												
Drain plug .....	1	20	958	F2											
Filler plug .....	1	6	CA1215	F3											
Filler plug washer .....	1		100479	F4											
Clip (brake hose) .....	1		100553												
Clip bolt .....	1	24	66835												
DIFFERENTIAL CARRIER .....	1		100499	F5											
Gasket .....	1		85352	F6											
Bolt .....	8	12	66836	F7											
Bolt nut .....	8	24	EZ504	F8											
Bearing cap .....	2		81970	F9											
Bearing cap bolt .....	4		81988	F10											
Bearing cap dowel .....	4		81971	F11											
DIFFERENTIAL CASE .....	1 pr.		86134	F12											
Bolt .....	6	12	80086	F13											
Bolt nut .....	6	24	85777	F14											
Bearing .....	2	6	85341	F15											
Adjusting nut .....	2	6	81819	F16											
Adjusting nut lock screw .....	2	24	915	F17											
Adjusting nut lock washer .....	2	24	81820	F18											
Pinion .....	2	12	85169	F19											
Pinion pin .....	1	10	85170	F20											
Pinion pin dowel .....	1		85171	F21											
Gear .....	2	6	85168	F22											

**SPARE PARTS LIST**

**THE MORRIS EIGHT (Series "E")**

DESCRIPTION	Commencing Chassis No. 101		Commencing Chassis No.		Commencing Chassis No.		Commencing Chassis No.		Commencing Chassis No.		Commencing Chassis No.		Commencing Chassis No.		REMARKS
	No. Used	Std. Pkgs.	Part No.	Illus. No.	Part No.	Illus. No.	Part No.	Illus. No.	Part No.	Illus. No.	Part No.	Illus. No.	Part No.	Illus. No.	
<b>Rear Axle—continued</b>															
<b>CROWN WHEEL AND PINION</b> . . . . .	1		100329	F23											
Pinion nut . . . . .	1	12	80496	F24											
Pinion nut washer . . . . .	1	12	80497	F25											
Pinion shim .002" . . . . .		as req.	81977	F26											
" " .003" . . . . .		as req.	81978	F26											
" " .0045" . . . . .		as req.	81975	F26											
" " .010" . . . . .		as req.	81976	F26											
Pinion flange . . . . .	1		81980	F27											
Pinion bearing (front) . . . . .	1		81933	F28											
" " (rear) . . . . .	1	6	35832	F29											
Pinion bearing circlip . . . . .	2		81972	F30											
Pinion bearing distance piece . . . . .	1		100265	F31											
Pinion housing . . . . .	1		100890	F32											
Pinion housing cap . . . . .	1		81982	F33											
Pinion housing cap screw . . . . .	2		53003	F34											
Pinion housing cap stud . . . . .	4		80718	F35											
Pinion housing cap stud nut . . . . .	4	24	EZ504	F36											
Pinion housing packing . . . . .	1		81979	F37											
<b>REAR HUB</b> . . . . .	2		100296	F38											
Bearing housing with studs . . . . .	2		100473	F39											
Bearing housing gasket . . . . .	2		80179	F40											
Bearing . . . . .	2		54889	F41											
Bearing spacer . . . . .	2		100469	F42											
Felt . . . . .	2	24	37642	F43											
Felt retainer . . . . .	2	12	37641	F44											
Nut O/S . . . . .	1	10	35174	F45											
" N/S . . . . .	1	10	35175	F46											
Nut lock washer . . . . .	2	24	35346	F47											
Greaser . . . . .	2		83730	F48											
<b>AXLE DRIVE SHAFT</b> . . . . .	2		100468	F49											
Oil retainer O/S . . . . .	1		53020	F50											
" " N/S . . . . .	1		53021	F51											
<b>PROPELLER SHAFT assembly</b> . . . . .	1		67476												
Tubular shaft . . . . .	1		67040	F52											
Flange yoke . . . . .	2		66400	F53											
Sleeve yoke . . . . .	1		66401	F54											
Journal assembly . . . . .	2		67267	F55											
Journal gasket . . . . .	8		66438	F56											
Journal gasket retainer . . . . .	8		66439	F57											
Needle bearing assembly . . . . .	8		67253	F58											
Needle bearing snap ring . . . . .	8		66007	F59											
Dust cap . . . . .	1		66405	F60											
Steel washer . . . . .	1		66406	F61											
Felt washer . . . . .	1		66407	F62											
Greaser . . . . .	1		50262	F63											
Coupling bolt . . . . .	8		54643	F64											
Coupling bolt nut . . . . .	8		35777												
<b>STEERING</b>															
<b>WHEEL</b> . . . . .	1		84201	G1											
Key . . . . .	1		19835	G2											
Lock nut . . . . .	1		84107	G3											
<b>MAST with cam</b> . . . . .	1		39138	G4											
Ball cup for cam . . . . .	2		37491	G5											

**SPARE PARTS LIST**

**THE MORRIS EIGHT (Series "E")**

DESCRIPTION	Commencing Chassis No. 101		Commencing Chassis No.		Commencing Chassis No.		Commencing Chassis No.		Commencing Chassis No.		Commencing Chassis No.		Commencing Chassis No.		REMARKS
	No. Used	Std. Pkgs.	Part No.	Illus. No.	Part No.	Illus. No.	Part No.	Illus. No.	Part No.	Illus. No.	Part No.	Illus. No.	Part No.	Illus. No.	
<b>Steering—continued</b>															
Ball cage with balls .....	2		37490	G6											
Ball .....	20		35935												
ROCKER-SHAFT with peg .....	1		38144	G7											
Peg .....	1		37621	G8											
Felt washer .....	1	24	81879	G9											
DROP ARM .....	1		84866	G10											
Clamp bolt.....	1		54627	G11											
Clamp bolt nut.....	1	24	EZ504	G12											
Clamp bolt shakeproof washer .....	1		55458												
COLUMN TUBE .....	1		39139	G13											
Felt bush (top end).....	1		65154	G14											
Felt bush retaining ring .....	1		65155	G15											
Oil filler clip .....	1		67528	G16											
Bracket .....	1		106094	G17											
Bracket clamp .....	1		106095	G18											
Bracket clamp bolt .....	2	24	66835	G19											
Bracket clamp bolt nut .....	2	24	EZ503	G20											
Bracket clamp packing .....	1		106089	G21											
Ferrule .....	1		84329	G22											
STEERING BOX .....	1		39137	G23											
Bolt (to frame) .....	2		4993	G24											
Bolt nut .....	2	48	EZ510												
Bottom end cover .....	1		67525	G25											
Bottom end cover shim .0024" .....		as req	38149	G26											
" " " " .005" .....		as req	38150	G26											
" " " " .010" .....		as req	38151	G26											
Bottom end cover gasket.....	1		38152	G27											
Bottom end cover bolt .....	4	24	54515	G28											
Olive .....	1		67529	G29											
Olive nut .....	1		67530	G30											
Side cover .....	1		37483	G31											
Side cover shim .0024" .....		as req	37484	G32											
" " " " .005" .....		as req	37485	G32											
" " " " .010" .....		as req	37486	G32											
Side cover gasket .....	1		37487	G33											
Side cover bolt .....	3	24	54515	G34											
<b>HORN PUSH AND TRAFFICATOR CONTROL</b>															
CONTROL assembly .....	1		39248												
Top cover assembly.....	1		67639	G35											
Horn push button .....	1		67741	G36											
Horn push button retainer .....	1		67742	G37											
Horn push button spring .....	1		67743	G38											
Horn push button spring spacer .....	1		67744	G39											
Horn push contact assembly.....	1		67640												
Indicator switch base assembly .....	1		67641	G40											
Indicator switch rotor assembly .....	1		47466												
Indicator switch lever assembly .....	1		67642	G41											
Indicator switch lever knob .....	1		67084	G42											
Indicator striker ring .....	1		67645	G43											
Striker ring felt .....	1		67646	G44											
Stator tube .....	1		39249	G45											

**SPARE PARTS LIST**

**THE MORRIS EIGHT (Series "E")**

DESCRIPTION	No. Used	Std. Pkgs.	Commencing Chassis No. 101		Commencing Chassis No. 921		Commencing Chassis No. 25206		Commencing Chassis No.		Commencing Chassis No.		Commencing Chassis No.		REMARKS
			Part No.	Illus. No.	Part No.	Illus. No.	Part No.	Illus. No.	Part No.	Illus. No.	Part No.	Illus. No.	Part No.	Illus. No.	
<b>Horn Push and Trafficator Control—continued</b>															
Stator tube clamp plate .....	1		67647	G46											
Clamp plate bolt .....	1		67704	G47											
Cable .....	1		66990												
Locating ring with screw .....	1		67755	G48											
Locating ring screw .....	1		41530	G49											
<b>CHASSIS FRAME</b>															
FRAME assembly .....	1		84812	H1			95207								Part No. 95207 also fitted to Chassis Nos. 23981 to 24000 and 24896 to 25000
Cross member assembly (front) .....	1		95089	H2											
Wing valance bracket (front) O/S .....	1		84864	H5											
" " (front) N/S .....	1		84865	H6											
Engine bracket (front) O/S .....	1		84909	H7											
" " (front) N/S .....	1		84910	H8											
Engine bracket stiffener O/S .....	1				95079										Also fitted to Chassis Nos. 888 to 917 and finishes at Chassis No. 3272 (except Nos. 3301 to 4464 and 5001 to 5080)
" " N/S .....	1				95080										Ditto
Spring buffer plate (front) .....	2		84299												
" " (rear) .....	2		84294												
Clutch and brake pedal return spring bracket .....	1		84445	H9											
Clutch and brake pedal support bracket .....	1		84810	H10											
Pedal bracket stop .....	1		95165	H11											
Front spring bracket (rear) O/S .....	1		95153	H12											
" " (rear) N/S .....	1		95154												
Rear spring bracket (front) .....	2		84291												
Rear spring bracket plate (rear, outer) O/S .....	1		84884												
Ditto (rear, outer) N/S .....	1		84885	H13											
Ditto (rear, inner) .....	2		84314												
Rear spring bracket tube (rear) .....	2		83955												
Exhaust pipe bracket (3rd cross member) .....	1		84851												
Hose bracket (rear) .....	1		84297												
<b>BUMPERS</b>															
BUMPER (front) .....	1		84517												
Bar (C.P.) .....	1		39818												
Bar bolt (to spring) .....	3	24	66491												
Bar bolt nut .....	3	48	EZ510												
Main spring .....	1		39817												
Bolt .....	2		84519												
Bolt shakeproof washer .....	2		38382												
Ferrule O/S .....	1		84520												
" N/S .....	1		84521												
BUMPER (rear) .....	1		84518												
Bar (C.P.) .....	1		39820												
Bar bolt (to spring) .....	3	24	66491												
Bar bolt nut .....	3	48	EZ510												
Main spring .....	1		39819												

**SPARE PARTS LIST**

**THE MORRIS EIGHT (Series "E")**

DESCRIPTION	No. Used	Std. Pkgs.	Commencing Chassis No. 101		Commencing Chassis No.		Commencing Chassis No.		Commencing Chassis No.		Commencing Chassis No.		Commencing Chassis No.		REMARKS
			Part No.	Illus. No.	Part No.	Illus. No.	Part No.	Illus. No.	Part No.	Illus. No.	Part No.	Illus. No.	Part No.	Illus. No.	
<b>Bumpers—continued</b>															
Bracket O/S .....	1	.....	84557												
"    N/S .....	1	.....	84558												
Bracket bolt (to frame) .....	4	.....	58870												
Bracket bolt nut .....	4	24	EZ518												
Bolt (to bracket) .....	2	.....	80427												
Bolt nut .....	2	24	1819												
Ferrule O/S .....	1	.....	84523												
"    N/S .....	1	.....	84524												
<b>EXHAUST SYSTEM</b>															
EXHAUST PIPE and silencer unit ..	1	.....	84858	H14											
Flange (front) .....	1	.....	84854	H15											
Flange bolt .....	2	.....	51589												
Flange bolt nut .....	2	.....	8558												
Gasket (front) .....	1	.....	50821	H16											
Clip (front) .....	1	.....	84869	H17											
Clip support .....	1	.....	84871	H18											
Clip support bolt (to frame) .....	2	24	66885												
Clip support bolt nut .....	2	24	EZ508												
Clip stud (to support) .....	1	.....	84870	H19											
Clip stud nut .....	4	24	EZ504	H20											
Clip (centre) .....	1	.....	84270	H21											
Clip bolt (to frame) .....	2	24	66885												
Clip bolt nut .....	2	24	EZ508												
Clip clamp bolt .....	1	.....	67591	H22											
Clip clamp bolt nut .....	1	24	EZ508	H23											
Clip clamp bolt washer .....	1	.....	88878	H24											
Clip (rear) .....	1	.....	84272	H25											
Clip bolt (to frame) .....	2	24	66885												
Clip bolt nut .....	2	24	EZ508												
Clip clamp bolt .....	1	.....	67591	H26											
Clip clamp bolt nut .....	1	24	EZ508	H27											
Clip clamp bolt washer .....	1	.....	88878	H28											
<b>SPARE WHEEL CARRIER</b>															
CARRIER well .....	Saloons	1	.....	84409											
Bracket .....	Saloons	1	.....	107071											
Bracket strap .....	Saloons	1	.....	106102											
Packing .....	Saloons	1	.....	95046											
Bracket .....	2-seater and Tourer	1	.....	84806											
Bracket stud ..	2-seater and Tourer	2	.....	54637											
Stud nut .....	2-seater and Tourer	2	.....	100847											
Bolt (to body) ..	2-Seater and Tourer	4	24	66851											
Bolt nut .....	2-Seater and Tourer	4	24	EZ508											
COVER (black) ..	2-seater and Tourer	1	.....	39278											
Ditto (colours)															
2-seater and Tourer		1	.....	39237											
Securing screw	2-seater and Tourer	1	.....	84847											
Distance piece	2-seater and Tourer	1	.....	84848											
HUB COVER ..	2-seater and Tourer	1	.....	83237											

**SPARE PARTS LIST**

**THE MORRIS EIGHT (Series "E")**

DESCRIPTION]	No. Used	Std. Pkgs.	Commencing Chassis No. 101		Commencing Chassis No. 6096		Commencing Chassis No.		Commencing Chassis No.		Commencing Chassis No.		Commencing Chassis No.		REMARKS	
			Part No.	Illus. No.	Part No.	Illus. No.	Part No.	Illus. No.	Part No.	Illus. No.	Part No.	Illus. No.	Part No.	Illus. No.		
<b>RADIATOR</b>																
RADIATOR case (primed) .....	1		84892	H29												
Case screw (to core) .....	2		80402													
Case screw nut .....	2	24	EZ508													
Core .....	1		95084	H30												
Grille complete .....	1		84691	H31												
Grille nut (to case) .....	7	24	8188													
Grille washer (to shell) .....	1		83672													
Badge .....	1		39054													
Badge washer .....	1		83672													
Badge motif plate .....	1		84692	H32												
Cap .....	1		36708	H33												
Cap rubber ring .....	1		83087	H34												
Mascot .....	1		84591	H35												
Mascot nut .....	1	24	EZ503													
Mascot shakeproof washer .....	1		62281													
Drain tap .....	1		32678	H36												
Drain tap washer .....	1	24	16139	H37												
Packing block .....	2		50414	H38												
Nut (to frame) .....	2		53225													
Lock nut (to frame) .....	2	12	35479													
Bolt (to valance) .....	10		66840													
Bolt washer .....	10		7648													
Hose connection (top) .....	1		84554	H39												
" " (bottom) .....	1		84563	H40	95085	H40										
Hose shield (bottom) .....	1		84899													
Hose clip (top) .....	2		84583	H41												
" " (bottom) .....	2		83856	H42												
Starting handle bracket .....	1		84393													
Starting handle bracket bolt (to radiator) .....	2	24	1619													
Bolt nut .....	2		EZ501													
" " (to shell) .....	1	24	8188													
Webbing .....	1		84865													
Webbing rivet .....	2		16697													
<b>BONNET</b>																
BONNET (top) .....	1		84877													
Hinge link (short) .....	2		84378													
" " (long) .....	2		84379													
Hinge support bracket O/S .....	1		84382													
" " " N/S .....	1		84383													
Hinge bracket .....	2		84598													
Hinge assembly O/S .....	1		84599													
" " " N/S .....	1		84600													
Hinge bolt (to bonnet) .....	4	24	66835													
Bracket bolt (to body) .....	6	24	66859													
Lock O/S .....	1		95040													
" " " N/S .....	1		95041													
Lock screw (to bracket) .....	4		3429													
Lock screw nut .....	4		36914													
Lock catch .....	2		84218													
Lock catch nut .....	2	24	EZ503													
Lock key .....	1		106046													

When supplied for Chassis Prior to No. 5472 and for Nos. 5501 to 5912, 6001 to 6095 always issue 1 off bottom hose Part No. 95085

Part No. 95085 also fitted to Chassis Nos. 5472 to 5500 and 5913 to 6000 Finishes at Chassis No. 5471 (except Nos. 5501 to 5912 and 6001 to 6095)

**SPARE PARTS LIST**

**THE MORRIS EIGHT (Series "E")**

DESCRIPTION	No. Used	Std. Pkgs.	Commencing Chassis No. 101		Commencing Chassis No. 3175		Commencing Chassis No.		Commencing Chassis No.		Commencing Chassis No.		Commencing Chassis No.		REMARKS
			Part No.	Illus. No.	Part No.	Illus. No.	Part No.	Illus. No.	Part No.	Illus. No.	Part No.	Illus. No.	Part No.	Illus. No.	
<b>Bonnet—continued</b>															
Lock grommit .....	2		84578												
Motif .....	1		84604												
Top support rod .....	1		84832												
Top support rod clip .....	1		84833												
Rod clip screw (to bonnet) .....	1		3429												
Rod clip screw nut .....	1		36914												
Buffer (on dash) .....	4		105045												
Buffer screw .....	4		7920												
<b>FUEL SYSTEM</b>															
<b>PETROL TANK</b>															
Cap .....	1		84814	H43											
Cap stud .....	1		84202	H44											
Cap washer .....	1		84203												
Cap washer .....	1		84204	H45											
Cap chain .....	1		84238												
Filler .....	1	Saloon	84401	H46											
" .....	1	2-Seater and Tourer	84401	H46	95159										
Filler clip .....	1		95181	H47											
Filler packing .....	1		95182	H48											
Filler insert tube .....															
2-Seater and Tourer	1		81600	H49											Finishes at Chassis No. 3174
Filler hose ....	1	2-Seater and Tourer	52459	H50											Ditto
Filler hose clip 2-Seater and Tourer	2		LA7171	H51											Ditto
Filler grommit (body) ....	1	Saloon	84404	H52											
" .....		(body)													
2-seater and Tourer	1		84109	H52											
Spout grommit (floor) .....	1		82769	H53											
Strainer cap assembly .....	1		5706	H54											
Strainer cap washer .....	1		5709	H55											
Gauge attachment .....	1		39121												
Gauge attachment screw .....	6		83089												
Right angle union .....	1		45320	H56											
Union nut (supply pipe) .....	1	12	3213	H57											
Strap .....	2		84402	H58											
Strap packing .....	2		84497	H59											
" .....	2	(top)	84498	H60											
Strap nut .....	2	24	EZ504	H61											
Strap lock nut .....	2	24	35855												
Strap pin .....	2		84809	H62											
PUMP .....	1		38727	H63											
Bolt (to dash) .....	2	24	66840												
Union (to carburetter pipe) .....	1		55684												
" .....	1	(to tank pipe)	81405												
Union elbow .....	1			H64											
Union nut .....	2		2715	H65											
Union olive .....	2		2718	H66											
Insulated terminal .....	1		47090	H67											
PIPE (tank to pump) .....	1		95212	H68											
Ditto (pump to carburetter) ....	1		53184	H69											
Clip (to toe board) .....	1	24	3161												
" .....	1	24	3161												
" .....	3		95100												

**SPARE PARTS LIST**

**THE MORRIS EIGHT (Series "E")**

DESCRIPTION	No. Used	Std. Pkgs.	Commencing Chassis No. 101		Commencing Chassis No. 1213		Commencing Chassis No. 10834		Commencing Chassis No.		Commencing Chassis No.		Commencing Chassis No.		REMARKS
			Part No.	Illus. No.	Part No.	Illus. No.	Part No.	Illus. No.	Part No.	Illus. No.	Part No.	Illus. No.	Part No.	Illus. No.	
<b>Fuel System—continued</b>															
Clip (to dash).....	1	24	3161												
Clip bolt .....	2	24	66835												
Clip bolt nut .....	2	24	EZ503												
<b>NUMBER-PLATES</b>															
PLATE (front) .....	1		84178												
Bracket .....	2		84225												For cars prior to Chassis No. 4804 always issue in pairs
Bracket screw (to bumper) .....	2		67501												
Bracket screw nut .....	2	24	EZ503												
Screw (to bracket) .....	2		39349												
Screw nut .....	2	24	EZ503												
PLATE (rear) .....	1		84432												
Screw (to body) .....	2		39355												
Washer (rubber) .....	2		84665												
<b>SPRINGS</b>															
<b>FRONT SPRING</b>															
Main leaf .....	2		84667	H70											
Second leaf .....	2		39168												
Third leaf with clips .....	2		39169												
Fourth leaf .....	2		39170												
Fifth leaf .....	2		39171												
Leaf clip .....	2		39172												
Leaf clip bolt and nut .....	4		67719	H71											
Leaf clip distance piece .....	4		67559	H72											
Leaf clip nut .....	4		67562	H73											
Dowel pin and nut .....	4		39236	H74											
Clip .....	4		84541	H75											
Clip nut .....	8	48	EZ510	H76											
Clip lock nut .....	8	12	35479	H77											
Clip pad .....	4	24	1416	H78											
Buffer .....	2		84542	H79											
Plate .....	2		84408	H80											
Eye bush (front) .....	2		84407	H81											
" " (rear) .....	2		84169	H82											
Bush (in frame) .....	2		84169												
Shackle plate .....	4		84801	H83		84802	H83								Part No. 84802 also fitted to Chassis Nos. 9584 to 10000 and 10368 to 10700
Shackle bolt .....	2		83270	H84											
Shackle bolt nut .....	2		20361	H85											
Shackle bolt washer .....	4		82611	H86											
Shackle pin .....	4		84170	H87											
Shackle pin nut .....	8		84597	H88											
Shackle pin shakeproof washer .....	8		55506												
Shackle pin felt washer .....	8		84172	H89											
Greaser (front end) .....	2		100525												
" (rear end) .....	2		84594												
" (rear end) .....	2		84593												
REAR SPRING O/S .....	1		84668		84900										Part No. 84900 also fitted to Chassis Nos. 784 to 900 and 1183 to 1211
Ditto N/S .....	1		84669	H90	84901	H90									

**SPARE PARTS LIST**

**THE MORRIS EIGHT (Series "E")**

DESCRIPTION	No. Used	Std. Pkgs.	Commencing Chassis No. 101		Commencing Chassis No. 1218		Commencing Chassis No. 5781		Commencing Chassis No. 10884		Commencing Chassis No.		Commencing Chassis No.		REMARKS
			Part No.	Illus. No.	Part No.	Illus. No.	Part No.	Illus. No.	Part No.	Illus. No.	Part No.	Illus. No.	Part No.	Illus. No.	
<b>Springs—continued</b>															
Main leaf .....	2		89178												Finishes at Chassis No. 783 (except Nos. 901 to 1182 and 1212)
Second leaf .....	2		89179											Also fitted to Chassis Nos. 784 to 900 and 1183 to 1211	
Third leaf .....	2		89180												Ditto
"    " (with clips) .....	2				89888									Finishes at Chassis No. 783 (except Nos. 901 to 1182 and 1212)	
Fourth leaf .....	2				89889										Ditto
Fourth leaf with clips .....	2		89181											Also fitted to Chassis Nos. 784 to 900 and 1183 to 1211	
Fifth leaf .....	2		89182												Ditto
"    " (with clips) .....	2				89840									Finishes at Chassis No. 783 (except Nos. 901 to 1182 and 1212)	
Sixth leaf .....	2				89841										Part No. 89842 also fitted to Chassis Nos. 784 to 900 and 1183 to 1211
"    " (with clips) .....	2		89188											Finishes at Chassis No. 783 (except Nos. 901 to 1182 and 1212)	
Seventh leaf .....	2		89184		89842										Part No. 89843 also fitted to Chassis Nos. 784 to 900 and 1183 to 1211
Eighth leaf .....	2		89185											Finishes at Chassis No. 783 (except Nos. 901 to 1182 and 1212)	
Leaf clip (large) .....	4		89188	H91	87557	H91									Part No. 87557 also fitted to Chassis Nos. 784 to 900 and 1183 to 1211
"    " (small) .....	4		89187	H92	89848	H92								Part No. 89843 also fitted to Chassis Nos. 784 to 900 and 1183 to 1211	
Leaf clip bolt and nut .....	8		87559	H98											Part No. 89844 also fitted to Chassis Nos. 784 to 900 and 1183 to 1211
Leaf clip distance piece .....	8		87582	H94										Finishes at Chassis No. 4617 (except Nos. 5001 to 5391 and 5501 to 5780)	
Dowel pin and nut .....	2		87857	H95	89844	H95									Also fitted to Chassis Nos. 4918 to 5000 and 5392 to 5500
Shock absorber plate O/S .....	1		89189											Ditto	
"    "    " N/S .....	1		89190	H96											Ditto
Clip .....	4		84538	H97										Ditto	
Clip nut .....	8	48	EZ510	H98											Ditto
Clip lock nut .....	8	12	85479	H99										Ditto	
Clip guide plate .....	2		84785	H100											Ditto
Buffer .....	2		84406	H101										Ditto	
Packing .....	2		95088	H102											Ditto
Packing piece (steel) .....	2					95180								Ditto	
Eye bush (rear) .....	2		84169	H103											Ditto
Bush (in frame) .....	4		95050	H104										Ditto	
Silentbloc bush (front) .....	2		88987	H105											Ditto
Silentbloc bolt .....	2		84264	H106										Ditto	
Silentbloc bolt nut .....	2		84194	H107											Ditto
Silentbloc bolt shakeproof washer ..	4		55506											Ditto	
Silentbloc fibre washer .....	4		84891	H108											Ditto
Shackle plate (outer) .....	2		95049	H109										Ditto	
"    " (inner) .....	2		95062												Ditto
Shackle pin (bottom) .....	2		84170	H110										Ditto	
"    " (top) .....	2		95060	H111											Ditto
Shackle pin nut .....	6		84597	H112										Ditto	
Shackle pin shakeproof washer .....	6		55506												Ditto
Shackle pin felt washer (bottom) ..	4		84172	H118										Ditto	
Greaser (rear end) .....	2		84594												Ditto

**SPARE PARTS LIST**

**THE MORRIS EIGHT (Series "E")**

DESCRIPTION	No. Used	Std. Pkgs.	Commencing Chassis No. 101		Commencing Chassis No. 25206		Commencing Chassis No.		Commencing Chassis No.		Commencing Chassis No.		Commencing Chassis No.		REMARKS
			Part No.	Illus. No.	Part No.	Illus. No.	Part No.	Illus. No.	Part No.	Illus. No.	Part No.	Illus. No.	Part No.	Illus. No.	
<b>SHOCK ABSORBERS</b>															
ABSORBER (front) O/S	1		39192												
Ditto (front) N/S	1		39198												
Ditto (rear) O/S	1		39194												
Ditto (rear) N/S	1		39195												
Link (front) O/S	1		39259												
" (front) N/S	1		39260												
" (rear)	2		39261												
Link pin nut (to support)	4	24	1819												
Link pin shakeproof washer	4		65751												
Link pin nut (to arm)	4	48	EZ510												
Link pin shakeproof washer (top)	4		55459												
Cover	4		39262												
Cover packing	4		39264												
Cover screw	24		39263												
Filler plug	4		39265												
Filler plug washer	4	24	JA5276												
Support (front)	2		84450												
Support nut	2	48	EZ510												
Support nut shakeproof washer	2		55459												
Bolt (to frame)	8	12	51011												
Bolt nut (to frame) (rear)	4	48	EZ510												
Bolt shakeproof washer	8		55459												
Fluid	1 qt.		39846												
"	1 pt.		39847												
<b>BRAKES</b>															
HAND BRAKE LEVER	1		84274	J1											
Trigger	1		84662	J2											
Trigger distance piece	1		53700	J3											
Trigger rivet	1		53049	J4											
" (to pull rod)	1		53049	J5											
Trigger rod	1		54019	J6											
Trigger rod spring	1		51866	J7											
Trigger rod yoke	1		54020	J8											
Pawl	1		53614	J9											
Pawl rivet	1		38136	J10											
" (to yoke)	1		53048	J11											
Fulcrum rivet	1		82707	J12											
Fulcrum rivet washer	1		53699												
Trunnion	1		84276	J18	95234										
Ratchet	1		84275	J14											
Ratchet bolt (to frame)	2	24	54515	J15											
Ratchet bolt nut	2	24	EZ504												
CABLE assembly	2		39222	J16	39388										
Twin abutment	1		84452	J17											
Abutment bolt	2	24	66851	J18											
Clip	2		95101												
Adjuster spring	2	24	3453												
Adjuster spring washer	2		38878		7669										
Adjuster nut	2	24	3463	J19											

Part No. 95234 also fitted to Chassis Nos. 23981 to 24000 and 24896 to 25000

Part No. 39388 also fitted to Chassis Nos. 23981 to 24000 and 24896 to 25000  
Finishes at Chassis No. 23980 (except Nos. 24001 to 24896 and 25001 to 25205)  
Ditto

Part No. 7669 also fitted to Chassis Nos. 23981 to 24000 and 24896 to 25000

**SPARE PARTS LIST**

**THE MORRIS EIGHT (Series "E")**

DESCRIPTION	Commencing Chassis No. 101		Commencing Chassis No.		Commencing Chassis No.		Commencing Chassis No.		Commencing Chassis No.		Commencing Chassis No.		Commencing Chassis No.		REMARKS
	No. Used	Std. Pkgs.	Part No.	Illus. No.	Part No.	Illus. No.	Part No.	Illus. No.	Part No.	Illus. No.	Part No.	Illus. No.	Part No.	Illus. No.	
<b>FRONT WHEEL BRAKES</b>															
DRUM .....	2		100292	J20											
Screw .....	4	24	54923												
PLATE assembly O/S.....	1		39126	J21											
Ditto N/S .....	1		39126	J22											
Bolt (to knuckle) .....	8		82818												
Bolt nut .....	8	48	EZ510												
SHOE assembly (front) O/S .....	1		87948	J28											
Ditto (front) N/S.....	1		87944												
Ditto (rear) O/S .....	1		87944	J24											
Ditto (rear) N/S .....	1		87948												
Linings and rivets .....	1 box		87909												
Lining rivet .....	as req.		88445												
Steady pin .....	4		88195	J25											
Pull-off spring .....	2		87894	J26											
Anchor pin .....	2		88786	J27											
Anchor pin nut .....	2		66895	J28											
Anchor pin circlip .....	2		66888	J29											
Thackeray washer .....	2		39382												
Adjuster cam .....	4		87945												
Adjuster cam pin .....	4		87946	J80											
Adjuster cam spacing washer .....	4		87947												
Adjuster cam friction washer .....	4		87948												
Adjuster cam dust cover .....	4		87949	J81											
Adjuster cam spring .....	4		87950												
<b>REAR WHEEL BRAKES</b>															
DRUM .....	2		100292	J82											
Screw .....	4	48	54689												
PLATE assembly O/S.....	1		39127	J88											
Ditto N/S .....	1		39128	J84											
Bolt (to housing) .....	8		53889												
Bolt nut .....	8	48	EZ510												
Dust cover .....	2		88788	J85											
Dust cover cap .....	2		88789	J86											
Dust cover joint.....	2		87907	J87											
Dust cover bolt .....	4		88840												
Dust cover bolt nut .....	4	24	3188												
SHOE assembly (front) O/S .....	1		87948	J88											
Ditto (front) N/S.....	1		87944												
Ditto (rear) O/S.....	1		87944	J89											
Ditto (rear) N/S.....	1		87948												
Linings and rivets .....	1 box		87909												
Lining rivet .....	as req.		88445												
Steady pin .....	4		88195												
Pull-off spring .....	2		87902	J40											
Spring anchor plate O/S (large) ..	1		38196	J41											
" " " N/S (large) ..	1		38197												
" " " (small) .....	2		87904	J42											
Anchor pin .....	2		88786	J43											
Anchor pin nut .....	2		66895	J44											
Anchor pin circlip .....	2		66888	J45											
Thackeray washer .....	2		39382	J46											

**SPARE PARTS LIST**

**THE MORRIS EIGHT (Series "E")**

DESCRIPTION	No. Used	Std. Pkgs.	Commencing Chassis No. 101		Commencing Chassis No.		Commencing Chassis No.		Commencing Chassis No.		Commencing Chassis No.		Commencing Chassis No.		REMARKS
			Part No.	Illus. No.	Part No.	Illus. No.	Part No.	Illus. No.	Part No.	Illus. No.	Part No.	Illus. No.	Part No.	Illus. No.	
<b>Rear Wheel Brakes—continued</b>															
Adjuster cam .....	4		37945	J47											
Adjuster cam pin .....	4		37946	J48											
Adjuster cam spacing washer .....	4		37947	J49											
Adjuster cam friction washer .....	4		37948	J50											
Adjuster cam dust cover .....	4		37949	J51											
Adjuster cam spring .....	4		37950	J52											
Lever assembly O/S .....	1		38203	J53											
"    "    N/S .....	1		38204												
Lever pivot pin washer .....	2		67137	J54											
Lever pivot pin nut .....	2	24	3327	J55											
<b>BRAKE PEDAL</b>															
PEDAL .....	1		X15552	K1											
Pad .....	1		X15670	K2											
" (rubber) .....	1		53160												
Pad bolt .....	1	24	JA5052												
Pad bolt nut .....	1	24	CA1126												
Pin .....	1		X15584												
Bush .....	1		84643	K3											
Pull-off spring .....	1		53120	K4											
Bolt (to frame brace) .....	1		39191	K5											
Bolt shakeproof washer .....	1		55506	K6											
Bolt tie strip .....	1		84641												
Tie strip bolt (to cross member) ...	1	24	66859												
Tie strip bolt nut .....	1	24	EZ504												
Greaser .....	1		100525												
<b>MASTER CYLINDER AND SUPPLY TANK (HYDRAULIC BRAKES)</b>															
<b>MASTER CYLINDER and supply tank assembly .....</b>															
Barrel and supply tank with head and gasket .....	1		39386												
Head nut .....	1		89130	K7											
Head nut shakeproof washer .....	1		75417	K8											
Piston .....	1		46578	K9											
Secondary cup .....	1		37827	K10											
Cup .....	1		37828	K11											
Spring and retainer .....	1		37829	K12											
Circlip .....	1		38490	K13											
Valve body .....	1		37831	K14											
Valve body cup .....	1		37832	K15											
Valve body washer .....	1		19753	K16											
Push rod assembly .....	1		37833	K17											
Push rod nut .....	1	48	39133	K18											
Boot .....	1		EZ510												
Outlet connection .....	1		37835	K19											
			39132	K20											



**SPARE PARTS LIST**

**THE MORRIS EIGHT (Series "E")**

DESCRIPTION	Commencing Chassis No. 101		Commencing Chassis No. 1870		Commencing Chassis No.		Commencing Chassis No.		Commencing Chassis No.		Commencing Chassis No.		Commencing Chassis No.		REMARKS
	No. Used	Std. Pkgs.	Part No.	Illus. No.	Part No.	Illus. No.	Part No.	Illus. No.	Part No.	Illus. No.	Part No.	Illus. No.	Part No.	Illus. No.	
<b>WHEELS</b>															
WHEEL (black) .....	5		84508												
Hub cover .....	5/4		83287		95178										
" " .... 2-door F.H. Saloon	4		84647		95179										
Stud (front) .....	12		100291												
" (rear) .....	12		100848												
Stud nut .....	24		100347												
<b>WINGS</b>															
FRONT WINGS O/S .....	1		95176												
Ditto N/S .....	1		95177												
Bolt (to body) .....	8		67571												
" (to valance) .....	12	24	54515												
Bolt nut (to valance) .....	12	24	EZ504												
Bolt washer .....	18		7651												
" " .....	2		7652												
Valance O/S .....	1		84370												
" N/S .....	1		84371												
Valance bolt (to frame) .....	8	24	54515												
" " (to body) .....	6	24	54515												
Valance bolt nut (to frame) .....	8	24	EZ504												
Valance bolt washer (to body) .....	6		7651												
Valance stud (to support bracket) .....	4		84623												
Valance stud nut .....	4	24	EZ504												
Valance stud shakeproof washer .....	4		55458												
Valance hole cover N/S .....	1		84373												
Valance hole cover bolt .....	3	24	66835												
Valance hole cover plain washer .....	1		38378												
Packing .....	2		84621												
Mud flap O/S .....	1		95144												
" " N/S .....	1		95145												
Mud flap bracket .....	2		95143												
Mud flap rivet .....	2		39124												
Mud flap rivet washer .....	2		39123												
REAR WING O/S .....	1		84433												
Ditto N/S .....	1		84434												
Protector O/S .....	1		84671												Finishes for 2-seater, Tourer and 2-door Saloon at Chassis No. 15855
" N/S .....	1		84672												Ditto
Protector washer .....	12		39123												Ditto
Protector rivet .....	12		39124												Ditto
Screw (to body) .....	16		67571												
Screw washer .....	16		7652												
<b>DASH</b>															
FACIA PANEL .....	1		106067												
Ditto .... 2-seater and Tourer	1		39372												
Tray rail .... 2-seater and Tourer	1		106186												
Tray rail bolt .2-seater and Tourer	4	24	66835												
Tray rail screw .....	2		39322												
Tray angle piece .....	1		106092												
Tray angle bolt .....	2		66851												
Tie rod .....	1		106155												
Tie rod screw .....	1		84114												
" " .....	1		7398												

**SPARE PARTS LIST**

**THE MORRIS EIGHT (Series "E")**

DESCRIPTION	No. Used	Std. Pkgs.	Commencing Chassis No. 101		Commencing Chassis No.		Commencing Chassis No.		Commencing Chassis No.		Commencing Chassis No.		Commencing Chassis No.		REMARKS
			Part No.	Illus. No.	Part No.	Illus. No.	Part No.	Illus. No.	Part No.	Illus. No.	Part No.	Illus. No.	Part No.	Illus. No.	
<b>Dash—continued</b>															
Tie rod screw nut .....	1	24	3188												
<b>INSTRUMENT PANEL only</b> .....	1		39166												
Ditto (moulding) .....	1		106068												
Plug button .....	1		93478												
Screw, C.P. ....	2		39276												
Screw nut .....	2		39277												
Screw (to scuttle).....	8		39327												
Switch .....	1		39254												
Bulb .....	2		39366												
Warning light rim and glass .....	1		41219												
Warning light bulb .....	1		40589												
Bridge piece (instruments) .....	1		39326												
<b>SWITCHBOX</b> .....	1		39218												
Ignition lock .....	1		66240												
Key .....	2		66208												
Tab washer .. 2-seater and Tourer	1		95237												
<b>OIL GAUGE</b> .....	1		39197												
Pipe .....	1		84702												
Pipe nut .....	2		88568												
Pipe olive.....	2		88569												
<b>SPEEDOMETER</b> .....	1		39352												
Cable complete .....	1		39233												
" (inner) .....	1		39234												
" (outer) .....	1		39235												
<b>PETROL GAUGE</b> .....	1		39187												
<b>JUNCTION BOX and regulator</b> .....	1		39077												
Regulator .....	1		39087												
Regulator cover .....	1		67252												
Resistance (68 ohms.) .....	1		67210												
" (25 amp.) .....	1		45046												
Screw .....	2		39214												
Screw nut .....	2	24	3188												
Screw washer .....	2		93326												
<b>HARNESS CABLE (main)</b> .....	1		39255												
<b>TOEBOARDS</b>															
<b>BOARD O/S</b> .....	1		84285												
Ditto N/S (and gearbox cover) ..	1		84283												
Screw (to gearbox cover) .....	3		80403												
" (to chassis).....	12		80402												
Screw nut .....	2	24	EZ508												
Screw washer .....	3		64401												
Extension .....	1		84390												
Extension screw (to body).....	2		80403												
Extension screw washer .....	2		64401												
Greaser hole plug .....	1		82181												
<b>CLIPS AND FERRULES (CABLE, ETC.)</b>															
<b>CLIP (harness to valance)</b> .....	1		5365												
Ditto (harness to toolbox) .....	1		5365												
Ditto (harness to front cross-member) .....	2		95102												

**SPARE PARTS LIST**

**THE MORRIS EIGHT (Series "E")**

DESCRIPTION	No. Used	Std. Pkgs.	Commencing Chassis No. 101		Commencing Chassis No.		Commencing Chassis No.		Commencing Chassis No.		Commencing Chassis No.		Commencing Chassis No.		REMARKS
			Part No.	Illus. No.	Part No.	Illus. No.	Part No.	Illus. No.	Part No.	Illus. No.	Part No.	Illus. No.	Part No.	Illus. No.	
<b>Clips and Ferrules (Cable, etc.)—continued</b>															
CLIP (harness to side member) .....	1	.....	95104												
Ditto (harness to side member) ..	2	.....	95100												
Ditto (harness to side member) ..	7	.....	95101												
Ditto (harness to side member) ..	1	.....	95102												
Ditto (harness to floor) .....	8	.....	54847												
Ditto (harness to valance) .....	1	.....	95102												
Ditto (harness to valance) .....	1	.....	95100												
Ditto (harness to wiper bracket on dash) .....	1	.....	84760												
Ditto (harness to dash)2-seater and Tourer.....	1	.....	82126												
Ditto (starter cable to dash).....	1	.....	84142												
Ditto (control cable to steering box)	1	.....	54851												
Ditto (speedo cable to pedal return spring bracket) .....	1	.....	95099												
Ditto (steering column cables to column).....	1	.....	51092												
Ditto (trafficator cables) 2-seater and Tourer	4	.....	1796												
Ditto (wheel brace) .....	1	.....	50812												
Ditto (wheel brace) small .....	2	.....	5848												
Bolt ( $\frac{1}{2}$ " x 26 x $\frac{1}{4}$ ") .....	7	24	66835												
Bolt nut .....	7	24	EZ508												
FERRULE (wiper through dash) ....	1	.....	5497												
Ditto (harness through dash) ....	1	.....	52186												
Ditto (headlamp through valance)	2	.....	5056												
Ditto (speedo and starter control through dash) .....	1	.....	5056												
Ditto (oil gauge pipe and mixture control through dash) .....	1	.....	81419												
CABLE RING (Direction indicator) ..	1	.....	58678												
Ditto (headlamp cable).....	1	.....	58678												
Ditto (panel harness) .....	2	.....	58678												
RUBBER TUBE (steering box cable to harness) .....	1	.....	84799												
Ditto (windscreen wiper leads)....	1	.....	84831												
SNAP CONNECTOR .....	4	.....	67684												
Nipple .....	8	.....	67737												
<b>LAMPS</b>															
HEADLAMP (dipping) .....	1	.....	39350												
Ditto (non-dipping) .....	1	.....	39351												
Reflector (dipping) .....	1	.....	39209												
" (non-dipping) .....	1	.....	39210												
Solenoid .....	1	.....	38795												
Rim with fixing wires and joint bead	2	.....	39207												
Rubber packing (to wing) .....	2	.....	39220												
Glass .....	2	.....	39208												
Glass joint bead .....	2	.....	39337												

**SPARE PARTS LIST**

**THE MORRIS EIGHT (Series "E")**

DESCRIPTION	No. Used	Std. Pkgs.	Commencing Chassis No. 101		Commencing Chassis No. 2045		Commencing Chassis No.		Commencing Chassis No.		Commencing Chassis No.		Commencing Chassis No.		REMARKS
			Part No.	Illus. No.	Part No.	Illus. No.	Part No.	Illus. No.	Part No.	Illus. No.	Part No.	Illus. No.	Part No.	Illus. No.	
<b>Lamps—continued</b>															
Fuse .....	2		38947												
Bulb (main) .....	2		37868												
" (pilot) .....	2		35586												
Screw (to wing) .....	8		89214												
Dipper switch .....	1		89201												
Dipper switch screw .....	2		66831												
STOP TAIL-LAMP .....	1		39211												
Glass .....	1		75817												
" (number-plate) .....	1				47477										
Back plate assembly .....	1		67801		47482										
Clasp assembly .....	1		75814												Finishes at chassis No. 2044
Cover fixing screw .....	1				47488										
Bulb .....	2		35586												
Switch .....	1		47056												
Switch spring .....	1		55517												
Switch screw (to frame) .....	2		3429												
Switch screw nut .....	2		36914												
<b>HORN</b>															
HORN complete (less bracket) .....	1		39219												
Bracket assembly .....	1		38251												
Bracket fixing screw .....	2		67228												
Bolt (to side member) .....	1	24	66844												
Bolt nut .....	1	24	EZ510												
<b>DIRECTION INDICATOR</b>															
INDICATOR .....	2		39200												
Ditto .....	2		38425												
Bulb .....	2		38307												
Screw (to body) .....	4		67372												
<b>IGNITION SYSTEM</b>															
COIL .....	1		65086	L1											
Strap .....	1		65088	L2											
Bolt (to dash) .....	2	24	66835												
Bolt nut .....	2	24	EZ508												
Terminal nut .....	1		19862	L3											
DISTRIBUTOR .....	1		39199	L4											
Moulding .....	1		66803	L5											
Moulding cover .....	1		66804	L6											
Moulding cover screw .....	2		39385	L7											
Condenser .....	1		38232	L8											
Contact set .....	1		38233	L9											
Arm complete .....	1		38231	L10											
Lubricator body .....	1		38230	L11											
Carbon and spring .....	1		41187	L12											
Dog .....	1		36119	L13											

**SPARE PARTS LIST**

**THE MORRIS EIGHT (Series "E")**

DESCRIPTION	No. Used	Std. Pkgs.	Commencing Chassis No. 101		Commencing Chassis No.		Commencing Chassis No.		Commencing Chassis No.		Commencing Chassis No.		Commencing Chassis No.		REMARKS
			Part No.	Illus. No.	Part No.	Illus. No.	Part No.	Illus. No.	Part No.	Illus. No.	Part No.	Illus. No.	Part No.	Illus. No.	
<b>Ignition System—continued</b>															
Securing plate assembly .....	1		67257	L14											
Securing plate screw .....	1		QA11847												
Screwdriver and gauge assembly .....	1		38234												
<b>SPARKING PLUG</b> .....	4		67377												
Terminal .....	4		CB2114												
Lead carrier .....	1		JA5043												
<b>DYNAMO</b>															
<b>DYNAMO complete</b> .....	1		39075	L15											
Bracket (C.E. with bush and brush gear less brushes) .....	1		39085	L16											
Bracket (D.E. less bearing) .....	1		38872	L17											
Bearing bush (C.E.) .....	1		36581												
Bearing (D.E.) .....	1		36586	L18											
Armature .....	1		38873	L19											
Brush .....	2		55727	L20											
Brush spring .....	2		67037	L21											
Field coil .....	1 set		39084	L22											
Terminal block cover with screw .....	1		67024	L23											
Band cover .....	1		36952	L24											
Lubricator .....	1		67256	L25											
Lubricator wick and spring .....	1		36582	L26											
Pulley nut .....	1		38900	L27											
<b>STARTER</b>															
<b>STARTER complete</b> .....	1		38919	L28											
Bolt .....	2	24	CA1095												
Bracket (C.E. with switch contact) .....	1		38922	L29											
" (D.E. with bush) .....	1		38923	L30											
Bearing bush (C.E.) .....	1		35618												
" (D.E.) .....	1		36572												
Armature .....	1		38924	L31											
Brush .....	2		41180	L32											
Brush spring .....	2		66933	L33											
Field coil .....	1 set		38920	L34											
Pinion and sleeve .....	1		38925	L35											
Pinion return spring .....	1		39108	L36											
Main spring .....	1		38926	L37											
Band cover complete .....	1		38921	L38											
Switch .....	1		39198												
Switch adaptor plate .....	1		67392	L39											
Switch terminal bootee .....	1		67388												
Switch screw .....	1		66942												
Switch terminal bolt .....	1		67636												
Switch lock nut .....	1		67391												
<b>BATTERY</b>															
<b>BATTERY (wet)</b> .....	1		39202												
Ditto (dry) .....	1		39203												
Terminal lug (positive) .....	1		55735												

**SPARE PARTS LIST**

**THE MORRIS EIGHT (Series "E")**

DESCRIPTION	No. Used	Std. Pkgs.	Commencing Chassis No. 101		Commencing Chassis No.		Commencing Chassis No.		Commencing Chassis No.		Commencing Chassis No.		Commencing Chassis No.		REMARKS
			Part No.	Illus. No.	Part No.	Illus. No.	Part No.	Illus. No.	Part No.	Illus. No.	Part No.	Illus. No.	Part No.	Illus. No.	
<b>Battery—continued</b>															
Terminal lug (negative) .....	1		17622												
Fixing bolt .....	2		85721												
Fixing bolt nut .....	2	24	16585												
<b>WINDSCREENS</b>															
WINDSCREEN .....	1		106089												
Ditto .....	1		106040												
Ditto .....	1		89289												
Glass .....	1		106176												
" .....	1		89290												
Screw and nut .....	4		89291												
Control complete .....	1		105079												
Control screw (2BA x 1/4") .....	4		67572												
" " (2BA x 1/4") .....	2		67782												
" " (2BA x 1/4") (front) .....	2		67788												
Control screw nut .....	2	24	8188												
Control handle .....	1		67486												
Control handle screw .....	1		67487												
Control handle knob screw .....	1		67818												
Control grommit .....	1		105081												
Control chain bracket (to screen) ..	1		67819												
Quadrant wing nut															
2-Seater and Tourer	2		88720												
Quadrant cone washer															
2-Seater and Tourer	2		17650												
Quadrant dome nut															
2-Seater and Tourer	2		88357												
Quadrant dome nut washer															
2-Seater and Tourer	2		66026												
Hinge assembly (top) .....	2		89289												
Hinge bracket (to frame) O/S															
S.H. Saloon	1		89240												
" " (to frame) N/S															
S.H. Saloon	1		89241												
" " (to frame) O/S															
F.H. Saloon	1		89242												
" " (to frame) N/S															
F.H. Saloon	1		89243												
Hinge screw (to bracket) ..	8		67572												
Weather rubber 2-Seater and Tourer	1		88867												
Surround (rubber) .....	1	lgth	89378												
<b>WINDSCREEN WIPER</b>															
WIPER complete, 2-seater and Tourer	1		89044												
Motor unit .....	1		89212												
Clutch housing and switch assembly															
Saloons	1		67604												
End cover with terminal cap															
Saloons	1		67332												
Spindle assembly .....	1		67605												

**SPARE PARTS LIST**

**THE MORRIS EIGHT (Series "E")**

DESCRIPTION	No. Used	Std. Pkgs.	Commencing Chassis No. 101		Commencing Chassis No.		Commencing Chassis No.		Commencing Chassis No.		Commencing Chassis No.		Commencing Chassis No.		REMARKS
			Part No.	Illus. No.	Part No.	Illus. No.	Part No.	Illus. No.	Part No.	Illus. No.	Part No.	Illus. No.	Part No.	Illus. No.	
<b>Windscreen Wiper—continued</b>															
Knob with screw .....	Saloons	1	.....	67387											
Arm assembly .....	Saloons	1	.....	47294											
" " 2-seater and Tourer		1	.....	88891											
Squeegee .....		1	.....	66749											
Screw (2BA x 1/4) .....	Saloons	4	.....	67572											
Grommit (inner) .....	Saloons	1	.....	106041											
" 2-seater and Tourer		1	.....	54589											
" (outer) .....	Saloons	1	.....	89859											
<b>BODY GLASSES</b>															
GLASS (door) .....	2-door Saloon	2	.....	106059											
Ditto (door) (front) 4-door	Saloon	2	.....	106064											
Ditto (door) (rear) 4-door	Saloon	2	.....	106065											
Ditto (quarter) ....	2-door Saloon	2	.....	106121											
Ditto (quarter) ....	4-door Saloon	2	.....	106066											
Ditto (back light).....	Saloons	1	.....	106061											
<b>GLASS CHANNELS</b>															
CHANNEL (door) .....	2-door Saloon	2	.....	106028											
Ditto (front door) .	4-door Saloon	2	.....	98259											
Ditto (rear door) ..	4-door Saloon	2	.....	106081											
Ditto (fixed lights).....	Saloons as req.	.....		106182											
Strip (outside) .....	2-door Saloon	2	.....	106118											
" (outside) (front) O/S															
" (outside) (front) 4-door	Saloon	1	.....	106116											
" (outside) (front) N/S															
" (outside) (front) 4-door	Saloon	1	.....	106117											
" (outside) (rear) O/S															
" (outside) (rear) 4-door	Saloon	1	.....	106118											
" (outside) (rear) N/S															
" (outside) (rear) 4-door	Saloon	1	.....	106119											
Clip (strip) .....		18	.....	106120											
" (fixed lights) .....		8	.....	15584											
Glazing strip (.056") .....	as req.	.....		60426											
<b>WEATHER EXCLUDERS</b>															
<b>SEALING RUBBER (door)</b>															
" 2-seater and Tourer		2	.....	89801											
Ditto (door) .....	2-door Saloon	2	.....	106082											
Ditto (front door) .	4-door Saloon	2	.....	106088											
Ditto (rear door) ..	4-door Saloon	2	.....	106084											
Ditto (luggage container)	Saloons	1	.....	106004											
Ditto (sliding roof) (front)		1	.....	106184											
Ditto (cloth covered) (red)	Saloons as req.	.....		106130											
Ditto (cloth covered) (blue)															
" Saloons as req.	.....			106131											
Ditto (cloth covered) (green)															
" Saloons as req.	.....			106132											

**SPARE PARTS LIST**

**THE MORRIS EIGHT (Series "E")**

DESCRIPTION	Commencing Chassis No. 101		Commencing Chassis No.		Commencing Chassis No.		Commencing Chassis No.		Commencing Chassis No.		Commencing Chassis No.		Commencing Chassis No.		REMARKS
	No. Used	Std. Pkgs.	Part No.	Illus. No.	Part No.	Illus. No.	Part No.	Illus. No.	Part No.	Illus. No.	Part No.	Illus. No.	Part No.	Illus. No.	
<b>Weather Excluders—continued</b>															
SEALING RUBBER (cloth covered)															
(brown) Saloons as req.....			106188												
Retainer (long) . 2-seater and Tourer	2	.....	89800												
" (short) 2-seater and Tourer	2	.....	89299												
WEATHER STRIP (sliding roof) (rear)	1	.....	106002												
<b>WINDOW REGULATORS</b>															
REGULATOR (front) O/S... Saloons	1	.....	105204												
Ditto (front) N/S .....	1	.....	105204												
Sprocket .....	2	.....	105282												
Sprocket screw .....	2	.....	105289												
Chain and wire..... 2-door Saloon	2	.....	106987												
" " " .....	2	.....	107212												
Chain support bolt .....	4	.....	105216												
Wire clamp plate .....	4	.....	105998												
Wire clamp plate screw ...	8	.....	105415												
Fixing screw .....	6	.....	105215												
Pulley .....	8	.....	105218												
Pulley pin .....	8	.....	105214												
Pulley pin nut .....	8	24	EZ508												
Pulley pin shakeproof washer															
Saloons	8	.....	55764												
Handle .....	2	.....	105098												
Handle screw .....	2	.....	105051												
Channel assembly O/S 2-door Saloon	1	.....	107120												
" " N/S 2-door Saloon	1	.....	107121												
" " O/S 4-door Saloon	1	.....	107294												
" " N/S 4-door Saloon	1	.....	107295												
Stop .....	2	.....	105414												
Stop screw .....	4	.....	105415												
REGULATOR (rear) O/S															
4-door Saloon	1	.....	107150												
" (rear) N/S															
4-door Saloon	1	.....	107151												
Handle .....	2	.....	105098												
Handle screw .....	2	.....	105051												
Fixing screw .....	6	.....	105283												
Channel assembly O/S 4-door Saloon	1	.....	107148												
" " N/S 4-door Saloon	1	.....	107149												
<b>LOCKS</b>															
LOCK O/S .....	1	.....	105190												
Ditto N/S.....	1	.....	105191												
Ditto O/S (rear) .. 4-door Saloon	1	.....	105458												
Ditto N/S (rear) .. 4-door Saloon	1	.....	105459												
Ditto O/S ... 2-seater and Tourer	1	.....	89280												
Ditto N/S.... 2-seater and Tourer	1	.....	89281												
Ditto (luggage container) Saloons	1	.....	106058												
Screw (raised head) .....	4/8	.....	105488												
" (flat head) .....	4/8	.....	105141												
" (luggage container).. Saloons	4	.....	105129												

**SPARE PARTS LIST**

**THE MORRIS EIGHT (Series "E")**

DESCRIPTION	Commencing Chassis No. 101		Commencing Chassis No.		Commencing Chassis No.		Commencing Chassis No.		Commencing Chassis No.		Commencing Chassis No.		Commencing Chassis No.		REMARKS
	No. Used	Std. Pkgs.	Part No.	Illus. No.	Part No.	Illus. No.	Part No.	Illus. No.	Part No.	Illus. No.	Part No.	Illus. No.	Part No.	Illus. No.	
<b>Locks—continued</b>															
Screw washer (plain) .....	Saloons	4/8	105192												
" " " .....	Saloons	4/8	105198												
Outside handle (locking)...	Saloons	1	106006												
" " (plain) ....	Saloons	1	106005												
" " (rear) O/S															
4-door Saloon		1	106008												
" " (rear) N/S															
4-door Saloon		1	106009												
" " 2-seater and Tourer		2	89298												
" " (luggage container)															
Saloons		1	106010												
Outside handle screw .....	Saloons	6/10	67575												
Inside handle .....	Saloons	2/4	105092												
Inside handle knob															
2-seater and Tourer		2	89867												
Inside handle screw .....	Saloons	2/4	64428												
Inside handle fibre washer.	Saloons	4/8	27887												
Inside handle spring washer	Saloons	4/8	62454												
Handle cotter pin (luggage container)															
Saloons		1	106108												
Key .....	Saloons	2	66208												
<b>DOOR SOCKET AND STRIKER PLATES</b>															
PIN SOCKET PLATE .....	Saloons	2/4	105124												
Screw .....	Saloons	4/8	105128												
PIN PLATE .....	Saloons	2/4	105194												
Screw .....	Saloons	4/8	105489												
Finisher .....	Saloons	2/4	105510												
Finisher screw .....	Saloons	4/8	8468												
Washer .....	Saloons	2/4	29511												
<b>STRIKER PLATE O/S</b>															
2-seater and Tourer		1	89282												
Ditto N/S.... 2-seater and Tourer		1	89288												
Ditto .....	Saloons	2/4	106865												
Ditto (luggage container)	Saloons	1	106868												
Screw (doors) .....	Saloons	4/8	105128												
" (luggage container) .	Saloons	2	106869												
<b>DOOR HINGES</b>															
HINGE O/S (upper) ... 2-door Saloon		1	106854												
Ditto N/S (upper) . 2-door Saloon		1	106855												
Ditto O/S (lower).. 2-door Saloon		1	106856												
Ditto N/S (lower).. 2-door Saloon		1	106857												
Ditto O/S (upper) . 4-door Saloon		1	107162												
Ditto N/S (upper) . 4-door Saloon		1	107163												
Ditto O/S (lower).. 4-door Saloon		1	107164												
Ditto N/S (lower).. 4-door Saloon		1	107165												
Ditto O/S (upper)															
2-seater and Tourer		1	39284												
Ditto N/S (upper)															
2-seater and Tourer		1	39285												



**SPARE PARTS LIST**

**THE MORRIS EIGHT (Series "E")**

DESCRIPTION	No. Used	Std. Pkgs.	Commencing Chassis No. 101		Commencing Body No. 1196		Commencing Body No. 3001		Commencing Body No. 11126		Commencing Body No.		Commencing Body No.		REMARKS
			Part No.	Illus. No.	Part No.	Illus. No.	Part No.	Illus. No.	Part No.	Illus. No.	Part No.	Illus. No.	Part No.	Illus. No.	
<b>Door Checks—continued</b>															
Stop washer .....	Saloons	2/4	.....	98285											
" " .....	Saloons	2/4	.....	98286											
Rivet .....	Saloons	2/4	.....	105120											
Buffer and plate 2-seater and Tourer	2	.....		89294											
Knuckle .....	2-seater and Tourer	2	.....	89295											
Knuckle screw . 2-seater and Tourer	2	.....		89297											
<b>DOOR MOULDINGS</b>															
MOULDING O/S .....	2-door Saloon	1	.....	106048											
Ditto N/S. ....	2-door Saloon	1	.....	106049											
Ditto O/S (front) ..	4-door Saloon	1	.....	106052											
Ditto N/S (front) ..	4-door Saloon	1	.....	106053											
Ditto O/S (rear) ..	4-door Saloon	1	.....	106054											
Ditto N/S (rear) ..	4-door Saloon	1	.....	106055											
Screw .....	Saloons	82	.....	7894											
<b>SLIDING ROOF</b>															
Handle .....	1	.....		105961											
Barrel nut .....	1	.....		105962											
Drain tube (front) .....	2	.....		100126											
" " (rear) .....	2	.....		106127											
Drain tube clip.....	4	.....		105072											
<b>LUGGAGE CONTAINER</b>															
<b>ARM and BRACKET assembly O/S</b>															
	Saloons	1	.....	108852											
Ditto N/S.....	Saloons	1	.....	108853											
Screw (to lid) .....	Saloons	4	.....	105129											
" (to body) .....	Saloons	2	.....	108870											
Screw washer .....	Saloons	2	.....	108871											
Screw nut .....	Saloons	2	24	EZ508											
Badge .....	1	.....		84764											
LID assembly .....	Saloons	1	.....	108864											
<b>SEAT FITTINGS</b>															
<b>BUCKET SEAT FRAME O/S</b>															
	2-door Saloon	1	.....	106100						106218					
Ditto N/S.....	2-door Saloon	1	.....	106165						106221					
Ditto O/S.....	4-door Saloon	1	.....	106096						106222					
Ditto N/S.....	4-door Saloon	1	.....	106147						106215					
Ditto O/S.....	2-seater and Tourer	1	.....	106100						106218					
Ditto N/S.....	2-seater and Tourer	1	.....	106099						106221					
Hinge rod .....	2-door Saloon	2	.....	106083						106225					
" " ...	2-seater and Tourer	2	.....	106083						106225					
Hinge rod nut															
2-door Saloon, 2-seater and Tourer	4	.....		85933											

**SPARE PARTS LIST**

**THE MORRIS EIGHT (Series "E")**

DESCRIPTION	Commencing Chassis No. 101		Commencing Body No. 1196		Commencing Body No. 11122		Commencing Body No.		Commencing Body No.		Commencing Body No.		Commencing Body No.		REMARKS
	No. Used	Std. Pkgs.	Part No.	Illus. No.	Part No.	Illus. No.	Part No.	Illus. No.	Part No.	Illus. No.	Part No.	Illus. No.	Part No.	Illus. No.	
<b>Seat Fittings—continued</b>															
Hinge rod spacer (end) 2-door Saloon, 2-seater and Tourer	4	.....	106087												
Hinge rod spacer (centre) 2-door Saloon	2	.....	106086				106224								
" " " (centre) 2-seater and Tourer	2	.....	106086		106224										
Hinge O/S (plain) 2-door Saloon, 2-seater and Tourer	1	.....	106178												
Hinge O/S (locking) 2-door Saloon, 2-seater and Tourer	1	.....	106180												
Hinge N/S 2-door Saloon, 2-seater and Tourer	2	.....	106158												
Hinge wing screw N/S 2-door Saloon, 2-seater and Tourer	2	.....	106160												
Hinge locating plate N/S 2-door Saloon, 2-seater and Tourer	2	.....	106159												
Hinge slide guide (plain) 2-door Saloon, 2-seater and Tourer	1	.....	106177												
Hinge slide guide (locking) 2-door Saloon, 2-seater and Tourer	1	.....	106179												
Guide fixing screw 2-door Saloon, 2-seater and Tourer	18	.....	80400												
Guide fixing screw .. 4-door Saloon	4	24	66851												
" " " ( $\frac{1}{2}$ " x 2BA) 4-door Saloon	16	.....	67872												
Guide fixing screw nut 2-door Saloon, 2-seater and Tourer	20	.....	105517												
Guide fixing screw nut ( $\frac{1}{4}$ " BSF) 4-door Saloon	4	.....	98280												
Guide fixing screw nut (2BA) 4-door Saloon	16	.....	105518												
Locking lever 2-door Saloon, 2-seater and Tourer	1	.....	89278												
Locking lever pin 2-door Saloon, 2-seater and Tourer	1	.....	89274												
Locking lever spring 2-door Saloon, 2-seater and Tourer	1	.....	89275												
Steady clip 2-door Saloon, 2-seater and Tourer	2	.....	106088												
Steady clip screw 2-door Saloon, 2-seater and Tourer	4	.....	80400												
Wearing plate 2-door Saloon, 2-seater and Tourer	1	.....	106228												
Buffer N/S 2-door Saloon, 2-seater and Tourer	1	.....	106175												
Buffer screw 2-door Saloon, 2-seater and Tourer	1	.....	89828												
Buffer screw nut 2-door Saloon, 2-seater and Tourer	1	.....	89824												
Clamp plate N/S .... 4-door Saloon	4	.....	106146												
Clamp plate bolt .... 4-door Saloon	4	.....	66851												
RUNNER (locking) ... 4-door Saloon	1	.....	106104												
Ditto (plain) ..... 4-door Saloon	1	.....	106108												

**SPARE PARTS LIST**

**THE MORRIS EIGHT (Series " E ")**

DESCRIPTION	Commencing Chassis No. 101		Commencing Body No. 1196		Commencing Body No. 3001		Commencing Body No. 11126		Commencing Chassis No. 25206		Commencing Chassis No.		Commencing Chassis No.		REMARKS
	No. Used	Std. Pkgs.	Part No.	Illus. No.	Part No.	Illus. No.	Part No.	Illus. No.	Part No.	Illus. No.	Part No.	Illus. No.	Part No.	Illus. No.	
<b>FLOORBOARDS</b>															
FLOORBOARD (front) O/S	1		106736												
Ditto (front) N/S	1		106737												
Ditto (centre) O/S	1		106738												
Ditto (centre) N/S	1		106739												
Ditto (rear) O/S	1		106740												
Ditto (rear) N/S	1		106741												
<b>ROLLER BLIND</b>															
Material	1	lgth	92960												
Barrel	1		106037												
Oval stick	1		106075												
Control knob	1		106124												
Control ring	1		106125												
Control pulley (corner)	1		27062												
"  "	1		27066												
Screw eyes	8		106226												
Cord (fawn)		as req	93388												
<b>MIRROR</b>															
MIRROR complete	1	Saloons	67233												
Glass	1	Saloons	46799												
Bracket assembly	1	Saloons	67234												
MIRROR	1	2-seater and Tourer	38071												
Bracket	1	2-seater and Tourer	46557												
Bracket clip	1	2-seater and Tourer	38952												
Bracket screw	2	2-seater and Tourer	7399												
<b>CARPET MATS</b>															
MAT (front)	1		106446												
Ditto (rear)	1	2-door Saloon	106447					106568		106572					Part No. 106572 also fitted to Chassis Nos. 23981 to 24000 and 24896 to 25000
Ditto (rear)	1	2-seater and Tourer	106447		106568					106572					Ditto
Ditto (rear)	1	4-door Saloon	106547			106570				106573					Part No. 106573 also fitted to Chassis Nos. 23981 to 24000 and 24896 to 25000
Ditto (tunnel)	1	2-door Saloon	106448					106569							Finishes at Chassis No. 23990 (except Nos. 24001 to 24895 and 25001 to 25205)
Ditto (tunnel)	1	2-seater and Tourer	106448		106569										Ditto
Ditto (tunnel)	1	4-door Saloon	106448			106569									Ditto
Fastener (veltex)	6		64050												
Fastener screw	6		7847												
Fastener socket	5		106044												
"  "	6		64041												
"  "	6		64042												
Fastener spring stud	13		105097												
HEEL PAD	1		106045												
<b>HOOD AND SIDESCREENS</b>															
HOOD complete	1		39305												
Attachment (to screen)	2		39335												
Attachment screw	2		19932												
Fulcrum O/S	1		39310												
"  N/S	1		39311												
Envelope	1		39316												
Tonneau Cover (Half)	1		39345												
"  " (All)	1		39333												
Tonneau cover fastener		as req	39368												
Rest bracket	2		39302												

**SPARE PARTS LIST**
**THE MORRIS EIGHT (Series "E")**

DESCRIPTION	No. Used	Std. Pkgs.	Commencing Chassis No. 101		Commencing Body No.		Commencing Body No.		Commencing Body No.		Commencing Body No.		Commencing Body No.		REMARKS
			Part No.	Illus. No.	Part No.	Illus. No.	Part No.	Illus. No.	Part No.	Illus. No.	Part No.	Illus. No.			
<b>Hood and Sidescreens—continued</b>															
Rubber (to screw) .....	1	.....	39303												
Rubber retainer .....	1	.....	39304												
SIDESCREEN (door) O/S .....	1	.....	39306												
Ditto (door) N/S .....	1	.....	39307												
Ditto (quarter) O/S .....	1	.....	39308												
Ditto (quarter) N/S .....	1	.....	39309												
Fixing bracket (door) front .....	2	.....	39312												
"      "      (door) rear .....	2	.....	39334												
Locking handle (door).....	4	.....	39005												
Locking stud .....	4	.....	39004												
Socket (quarter) .....	4	.....	39314												
Socket nut (quarter) .....	4	.....	39315												
Peg .....	4	.....	38807												
<b>PIPINGS</b>															
PIPING (wing) black .....	Saloons	as req.....	68888												
Ditto ( $\frac{1}{8}$ "S.C.) black ...	Saloons	as req.....	92955												
Ditto ( $\frac{1}{8}$ "S.C.) blue ....	Saloons	as req.....	92958												
Ditto ( $\frac{1}{8}$ "S.C.) green ...	Saloons	as req.....	92959												
Ditto ( $\frac{1}{8}$ "S.C.) maroon .	Saloons	as req.....	92957												
Ditto (S.C.) brown.....	Saloons	as req.....	92883												
Ditto ( $\frac{3}{8}$ "D.C.) (cloth covered) fawn	Saloons	as req.....	92954												
Ditto ( $\frac{3}{8}$ "D.C.) (cloth covered) fawn	Saloons	as req.....	92922												
Ditto (D.C.) (rexine covered) blue	Saloons	as req.....	92884												
Ditto (D.C.) (rexine covered) brown	Saloons	as req.....	92887												
Ditto (D.C.) (rexine covered) green	Saloons	as req.....	92885												
Ditto (D.C.) (rexine covered) red	Saloons	as req.....	92886												
<b>SUNDRIES</b>															
Drip moulding O/S front .....	1	.....	106974												
"      "      N/S front .....	1	.....	106975												
"      "      O/S roof .....	1	.....	107034												
"      "      N/S roof .....	1	.....	107035												
Licence holder.....	1	.....	85871												
Plug button ( $\frac{3}{16}$ " .....	2	.....	106191												
"      "      ( $\frac{1}{8}$ " .....	3	.....	106193												
"      "      ( $\frac{3}{16}$ " .....	1	.....	106194												
"      "      (1" .....	1	.....	106192												
<b>TOOLS</b>															
Jack .....	1	.....	67543												
Wheel brace .....	1	.....	67542												
Tyre pump .....	1	.....	37775												
Box spanner ( $\frac{5}{16}$ " $\times$ $\frac{3}{4}$ " .....	1	.....	39057												
"      "      ( $\frac{7}{16}$ " $\times$ $\frac{1}{2}$ " .....	1	.....	39058												
Tommy bar .....	1	.....	ET300												
Double-ended spanner ( $\frac{5}{16}$ " $\times$ $\frac{1}{2}$ " .....	1	.....	41273												
"      "      ( $\frac{5}{16}$ " $\times$ $\frac{3}{8}$ " .....	1	.....	41274												

**SPARE PARTS LIST**

**THE MORRIS EIGHT (Series "E")**

DESCRIPTION	Commencing Chassis No. 101		Commencing Body No.		Commencing Body No.		Commencing Body No.		Commencing Body No.		Commencing Body No.		Commencing Body No.		REMARKS
	No. Used	Std. Pkgs.	Part No.	Illus. No.	Part No.	Illus. No.	Part No.	Illus. No.	Part No.	Illus. No.	Part No.	Illus. No.	Part No.	Illus. No.	
<b>Tools—continued</b>															
Screwdriver .....	1		87776												
Tappet spanner (1/4" Whit.) .....	1		88881												
Adjustable spanner .....	1		87829												
Tyre lever .....	2		ET310												
Lubricating pump .....	1		85895												
Toolbag.....	1		89098												
Suction valve grinder .....	1		66898												
Valve spring compressor.....	1		88878												
Tyre valve spanner .....	1		66484												
Locker key .....	1		28761												

MORRIS-ARCHIVE.CO.UK

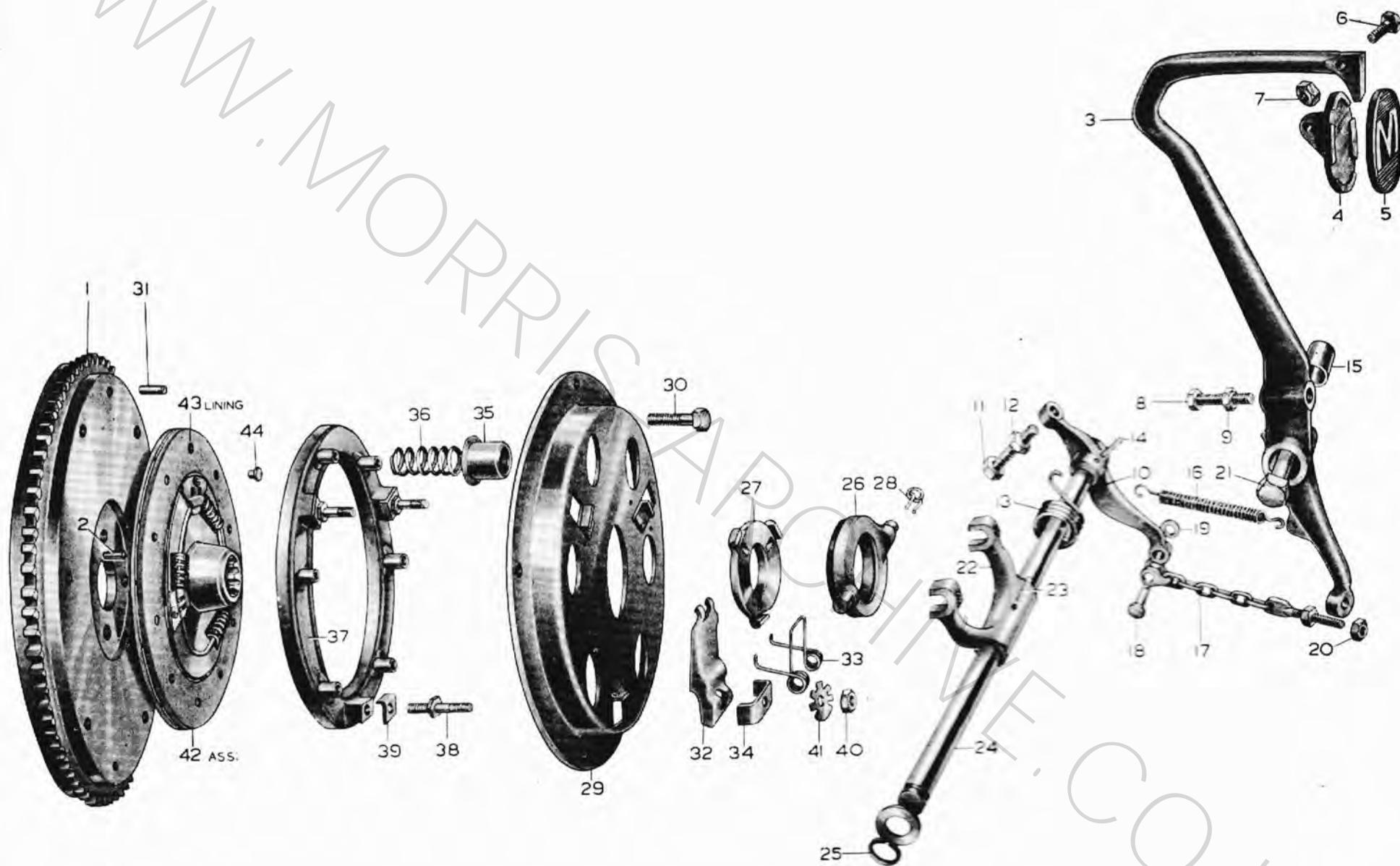




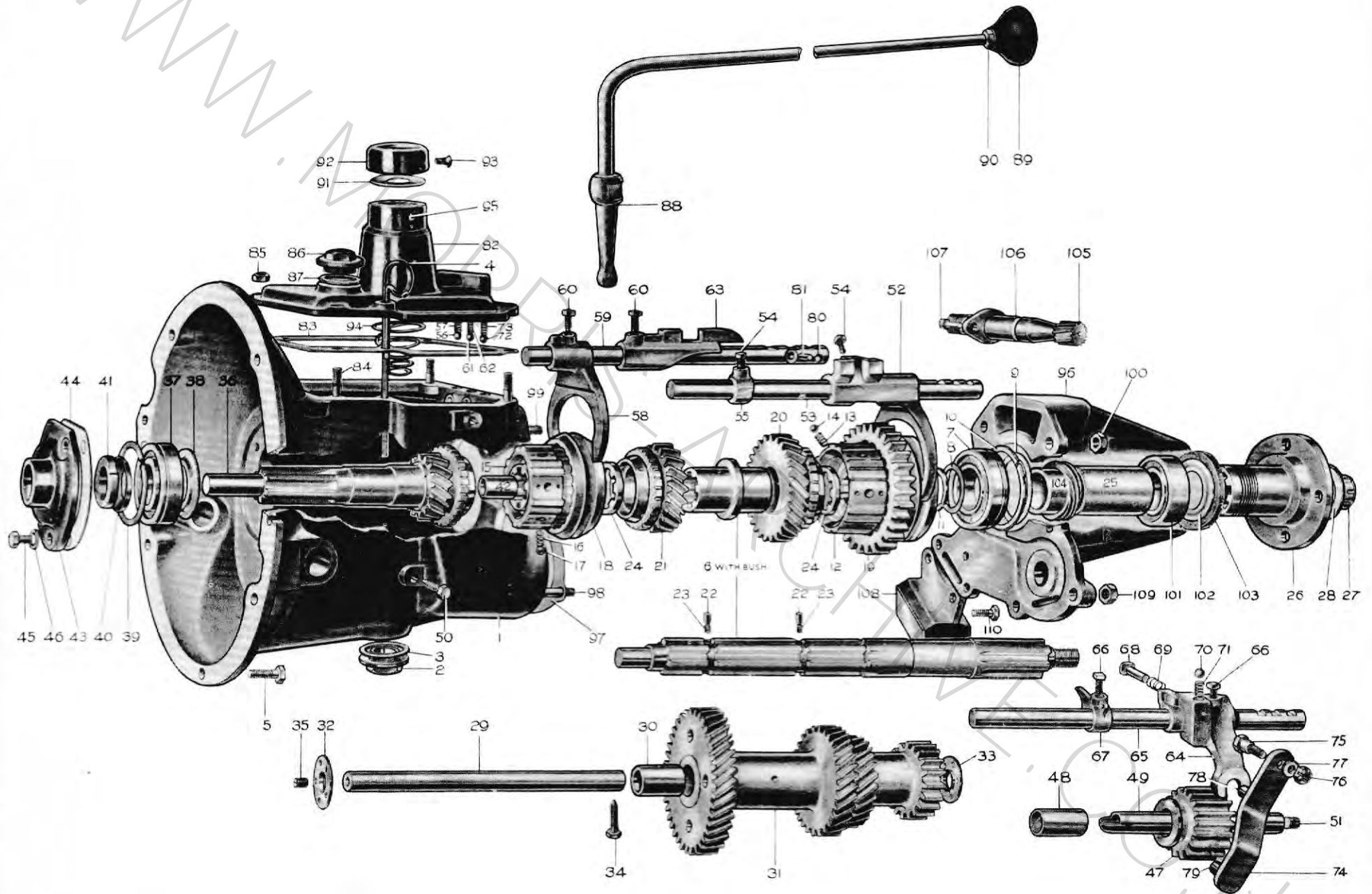
SPARE PARTS LIST  
PLATE B

THE MORRIS EIGHT (SERIES "E")

FLYWHEEL AND CLUTCH



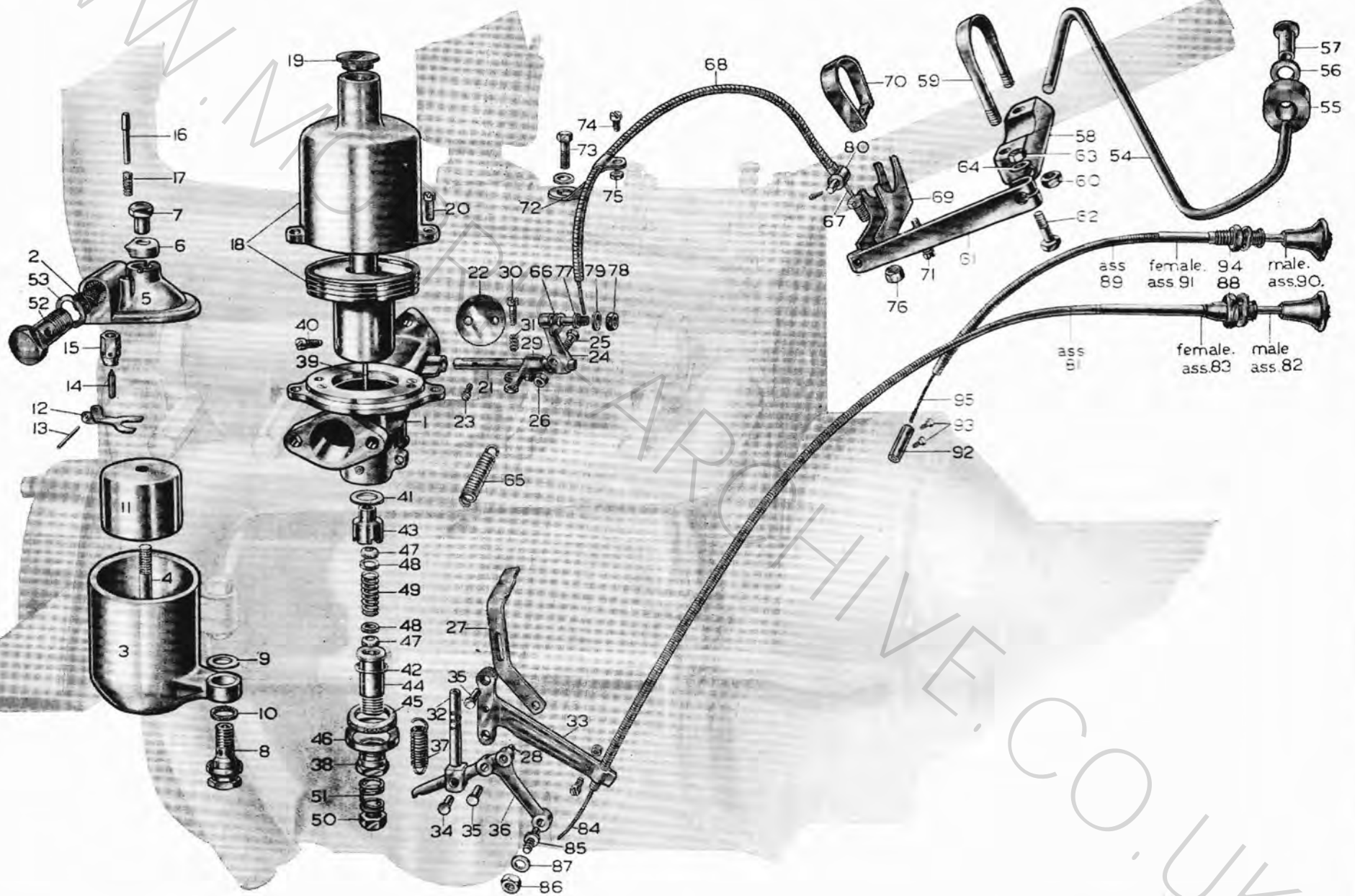
GEARBOX



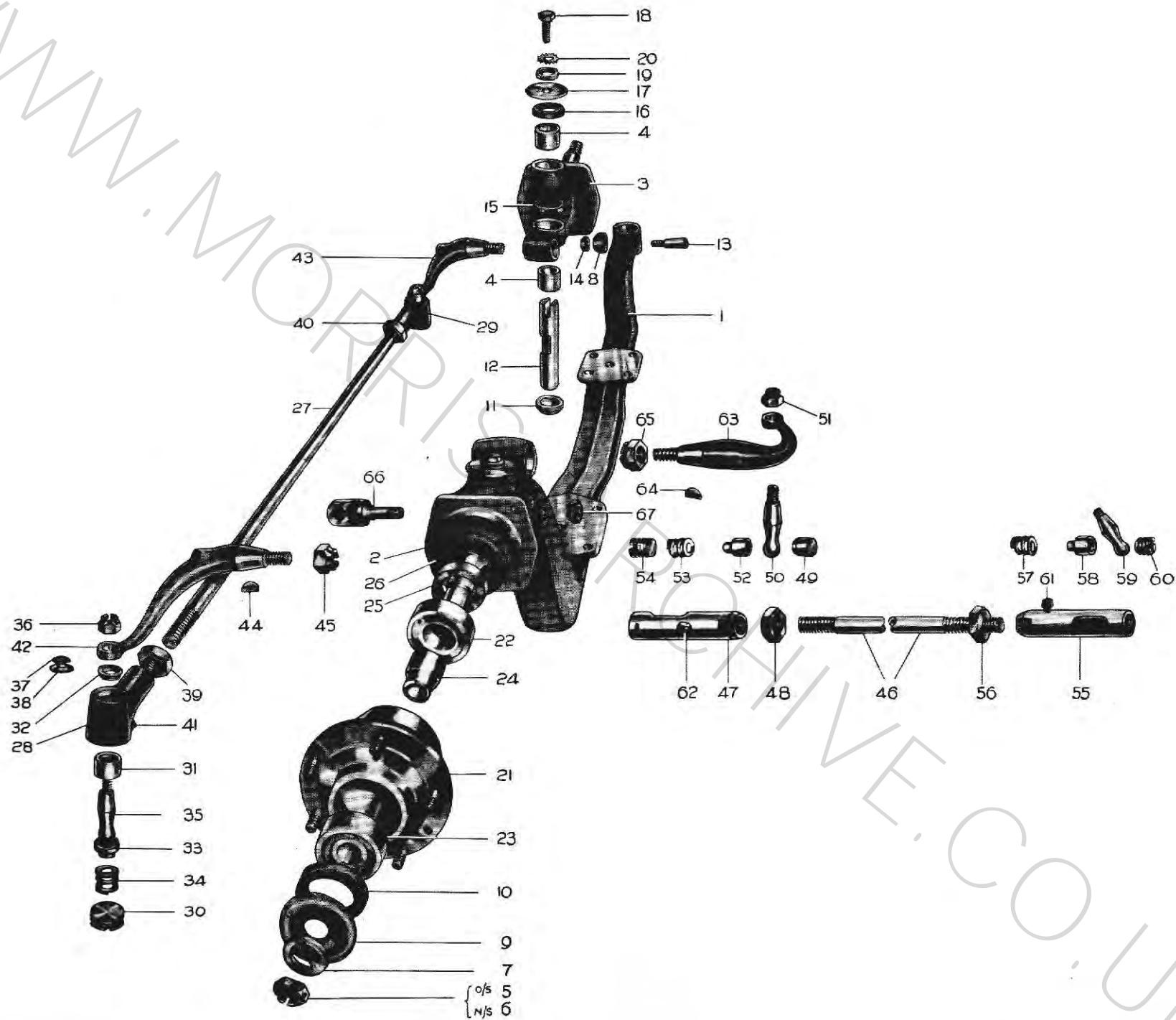
SPARE PARTS LIST  
PLATE D

THE MORRIS EIGHT (SERIES "E")

CARBURETTOR AND CONTROLS



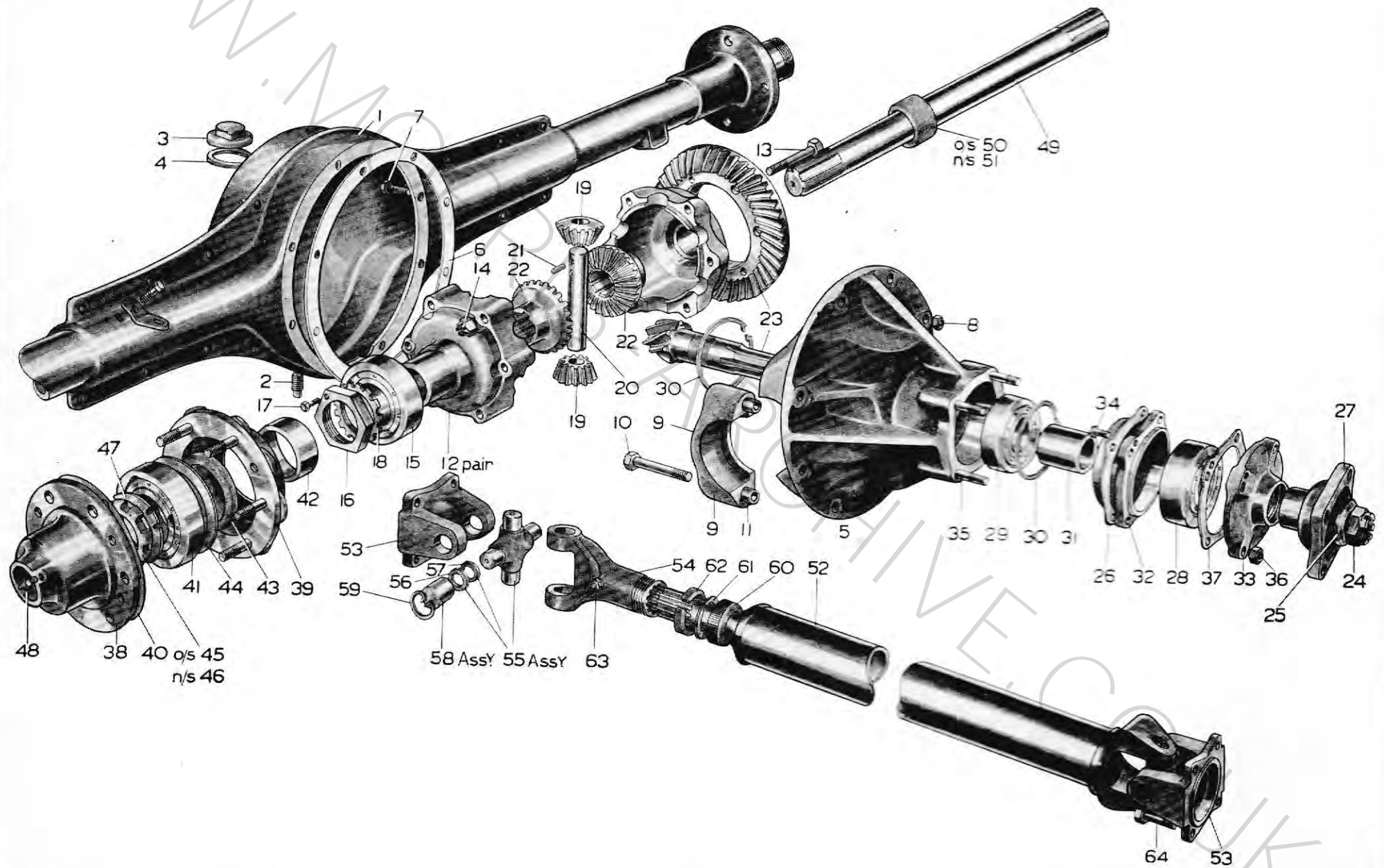
FRONT AXLE



SPARE PARTS LIST  
PLATE F

THE MORRIS EIGHT (SERIES "E")

REAR AXLE

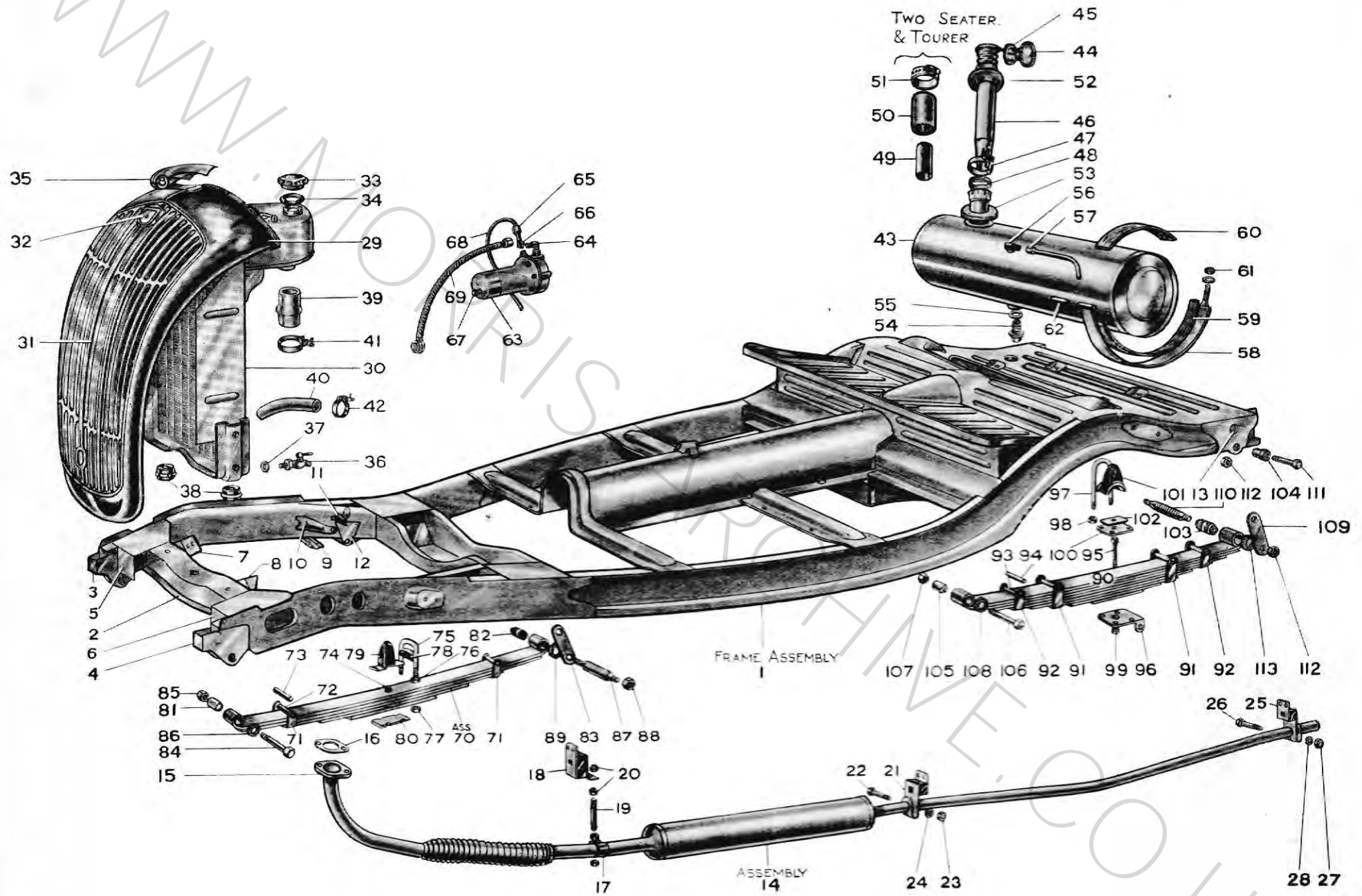




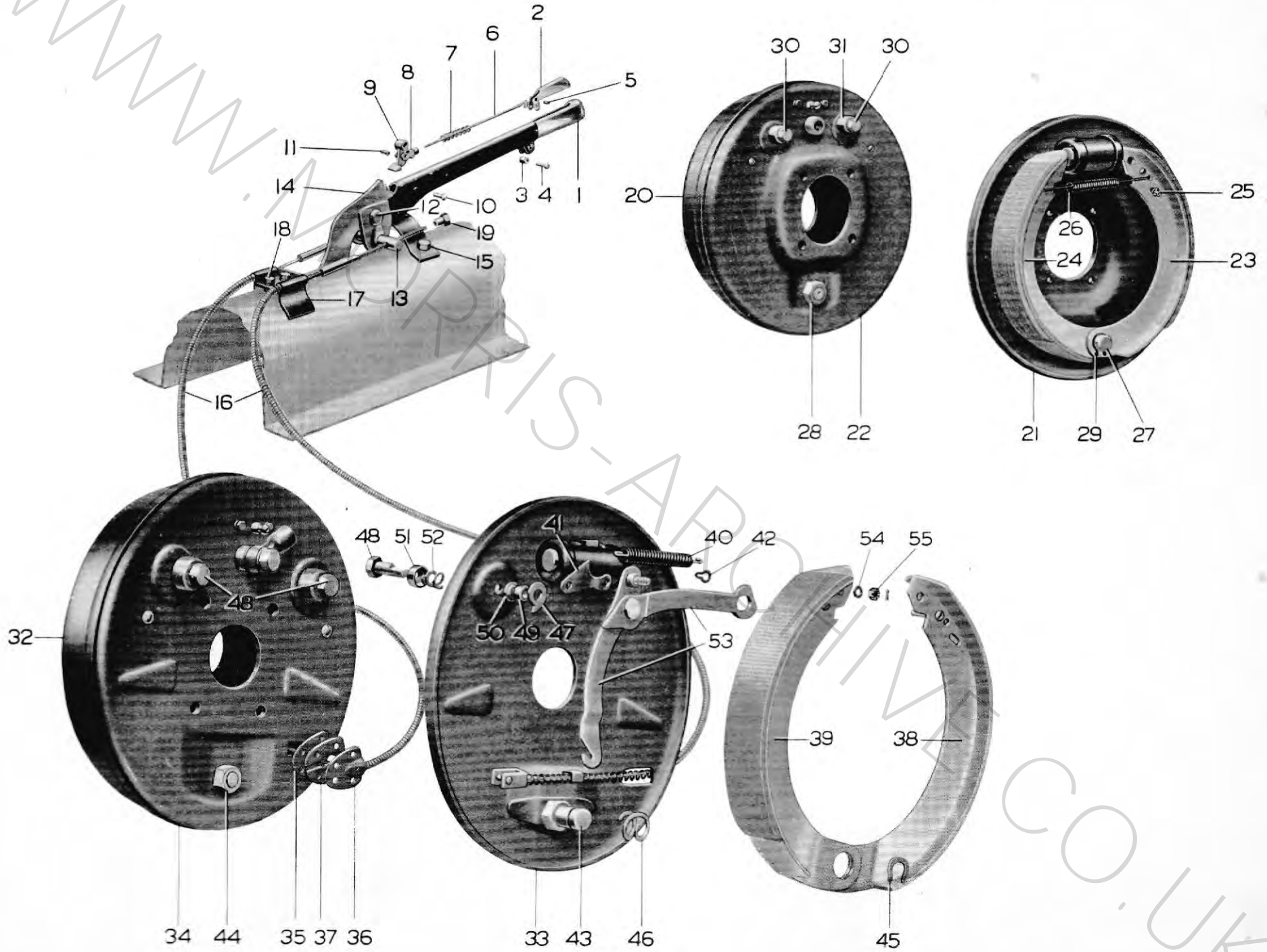
SPARE PARTS LIST  
PLATE H

THE MORRIS EIGHT (SERIES "E")

FRAME, EXHAUST SYSTEM, RADIATOR, FUEL SYSTEM AND SPRINGS



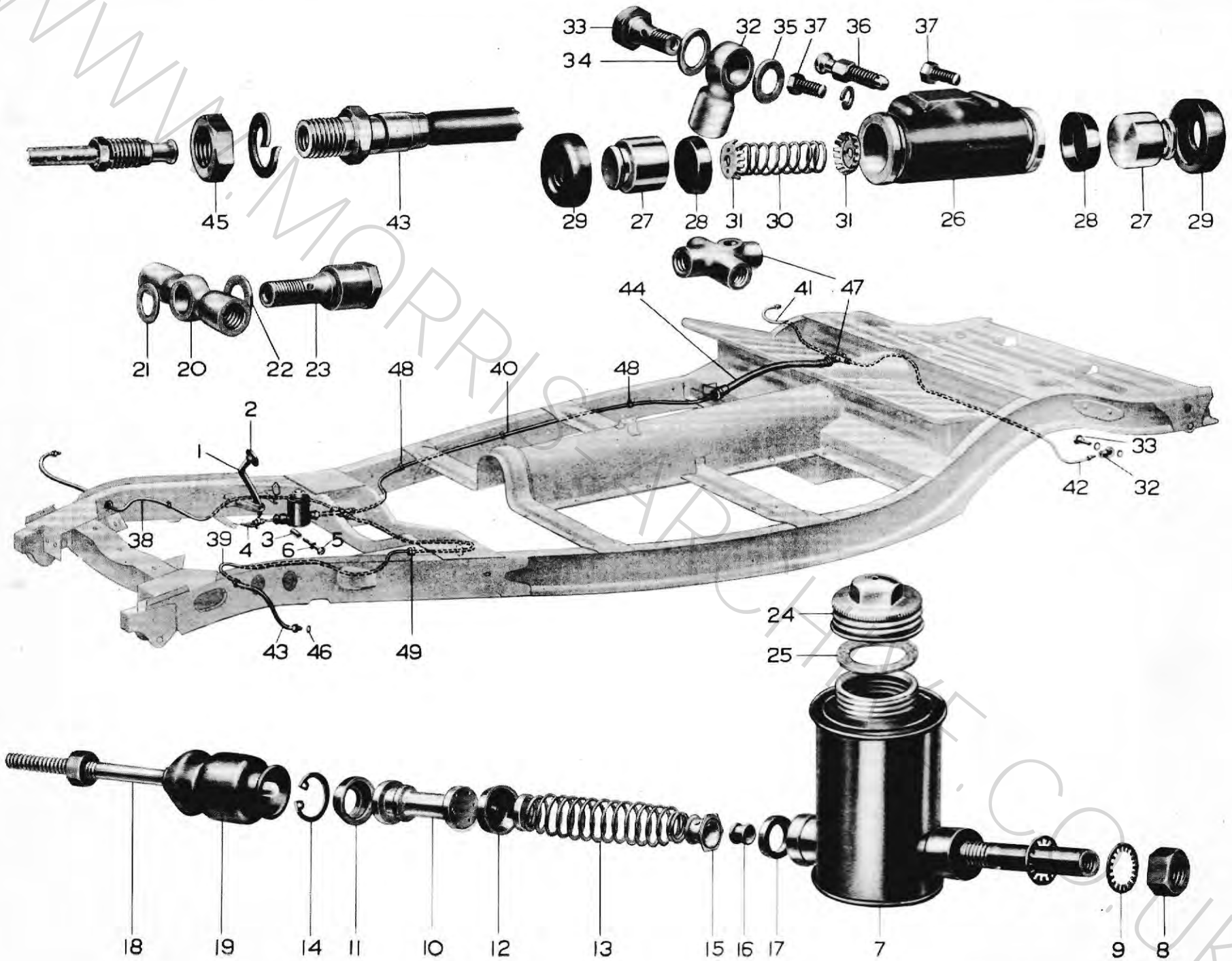
BRAKES (MECHANICAL)



SPARE PARTS LIST  
PLATE K

THE MORRIS EIGHT (SERIES "E")

BRAKES (HYDRAULIC)



ELECTRICAL

