

# *The* MORRIS EIGHT

(SERIES "E")

ILLUSTRATED LIST OF  
SPARE PARTS



*. . Issued by . .*

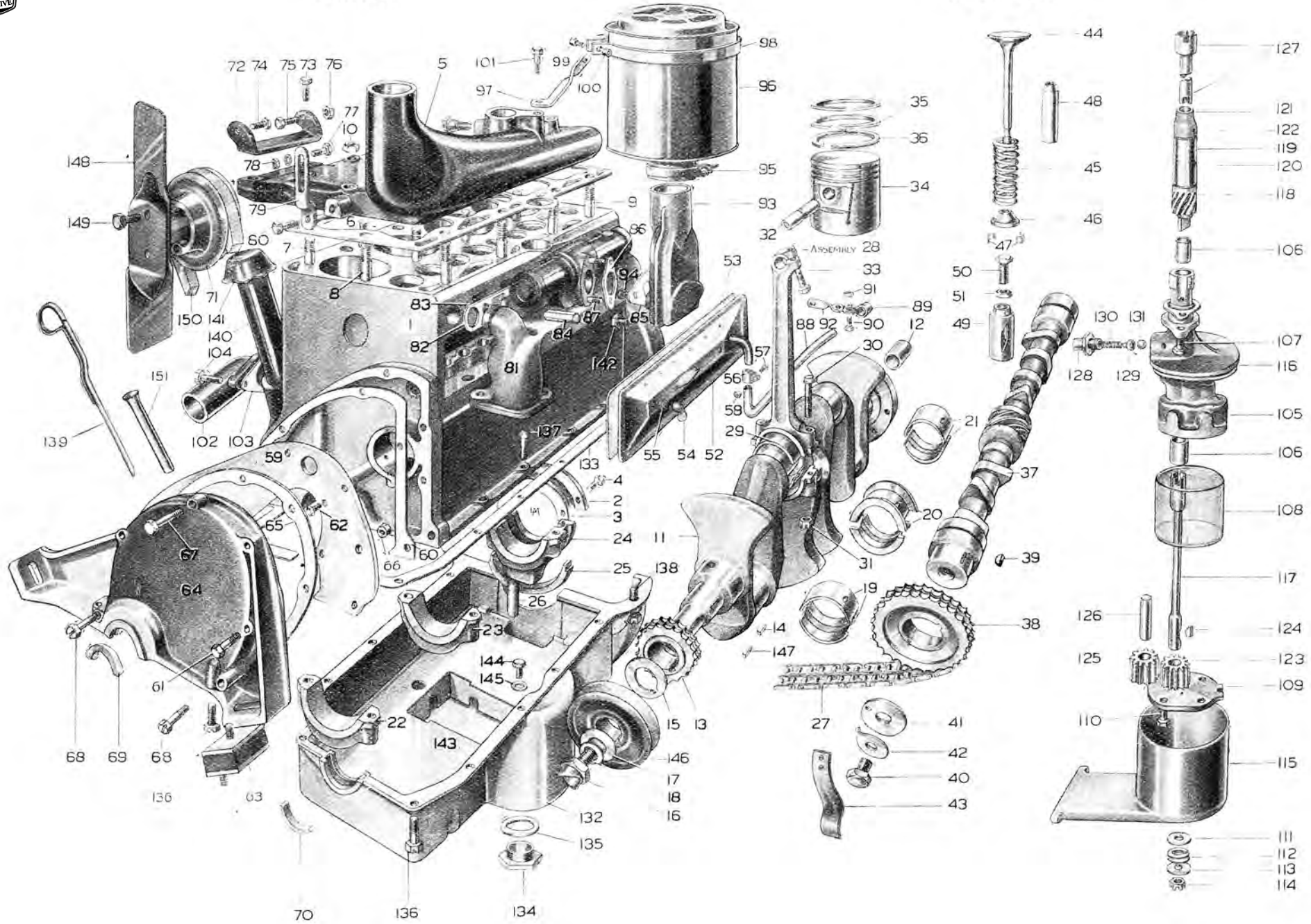
**MORRIS MOTORS LIMITED, COWLEY, OXFORD, ENGLAND**

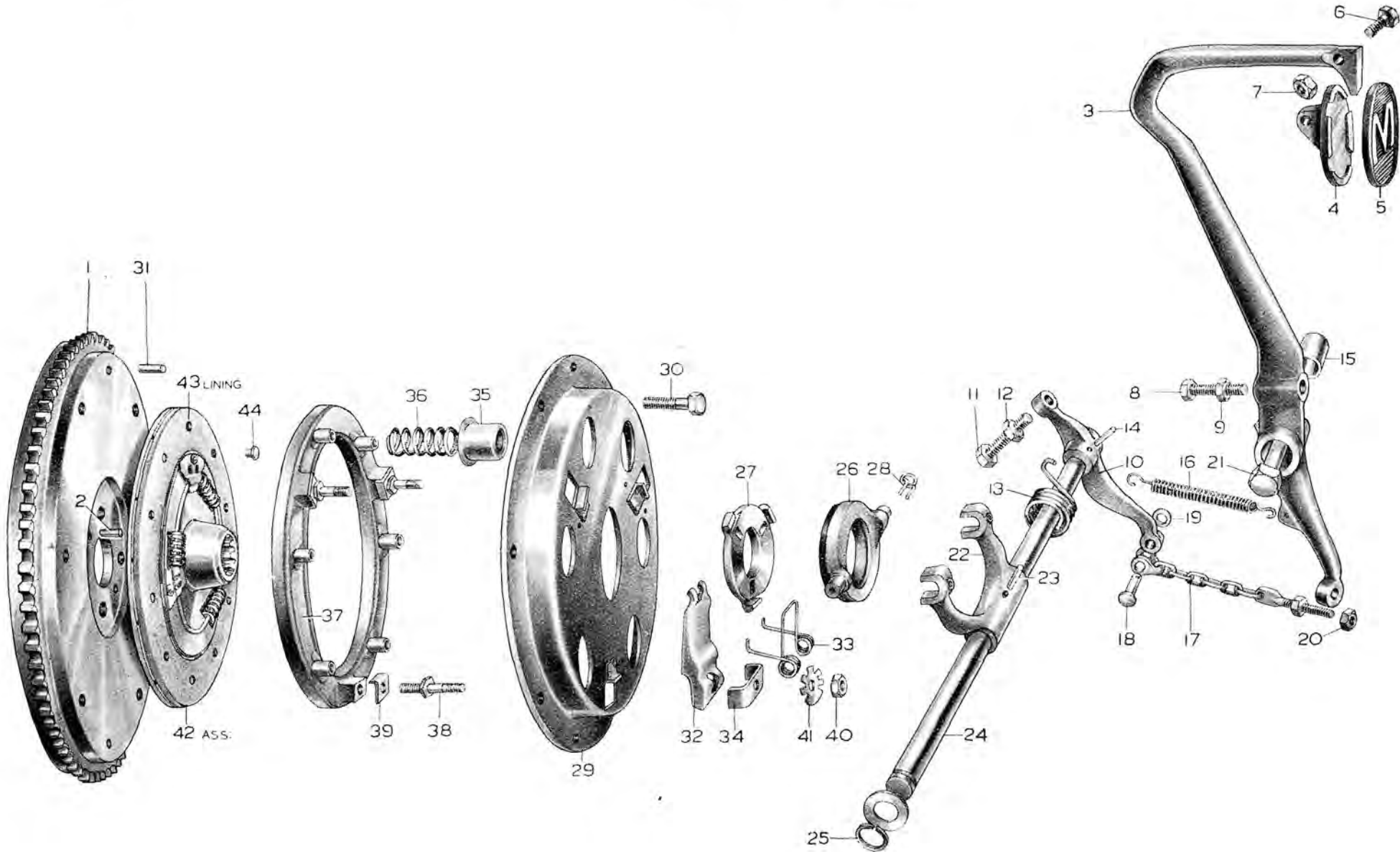
Telephone . . . . . Oxford 77777  
Telex . . . . . Oxford Telex 7194  
Telegrams . . . . . "Voiturette," Telex, Oxford  
Cables . . . . . "Voiturette," Oxford  
Codes . . Bentley's, Bentley's Second Phrase, A.B.C. (5th and 6th Editions), Western Union and Private

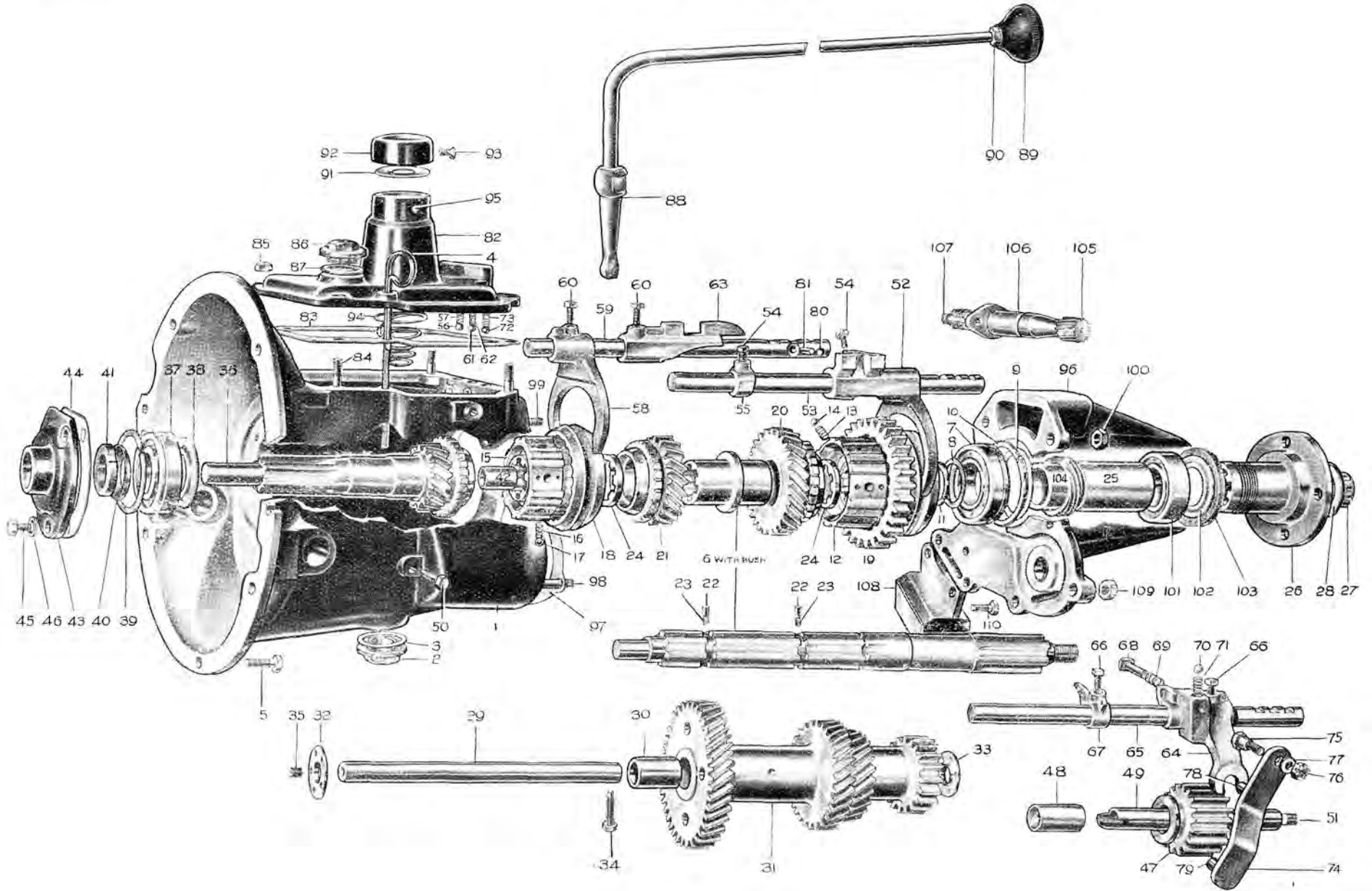
*1st April, 1937*

# ENGINE

# PLATE A

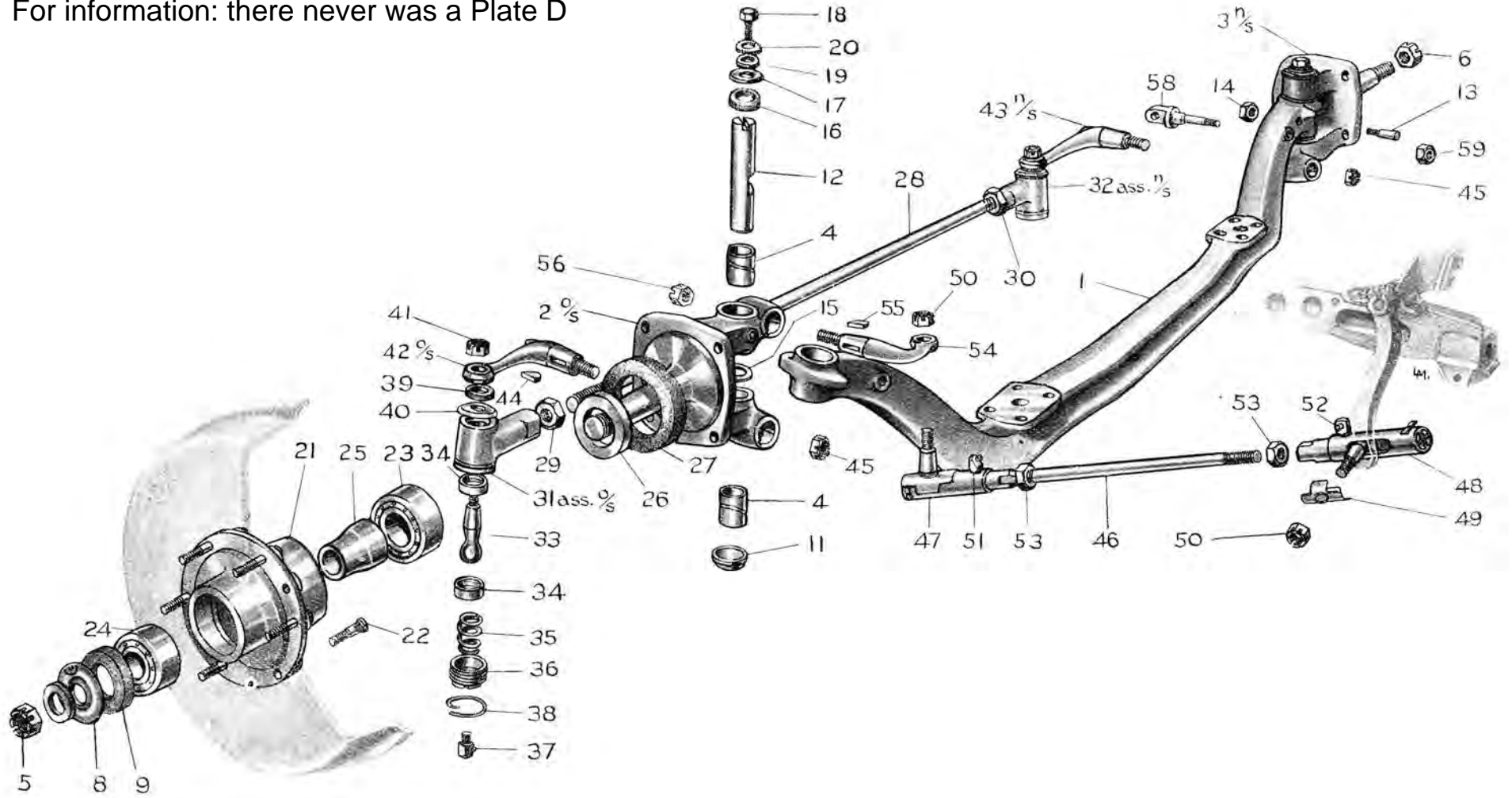


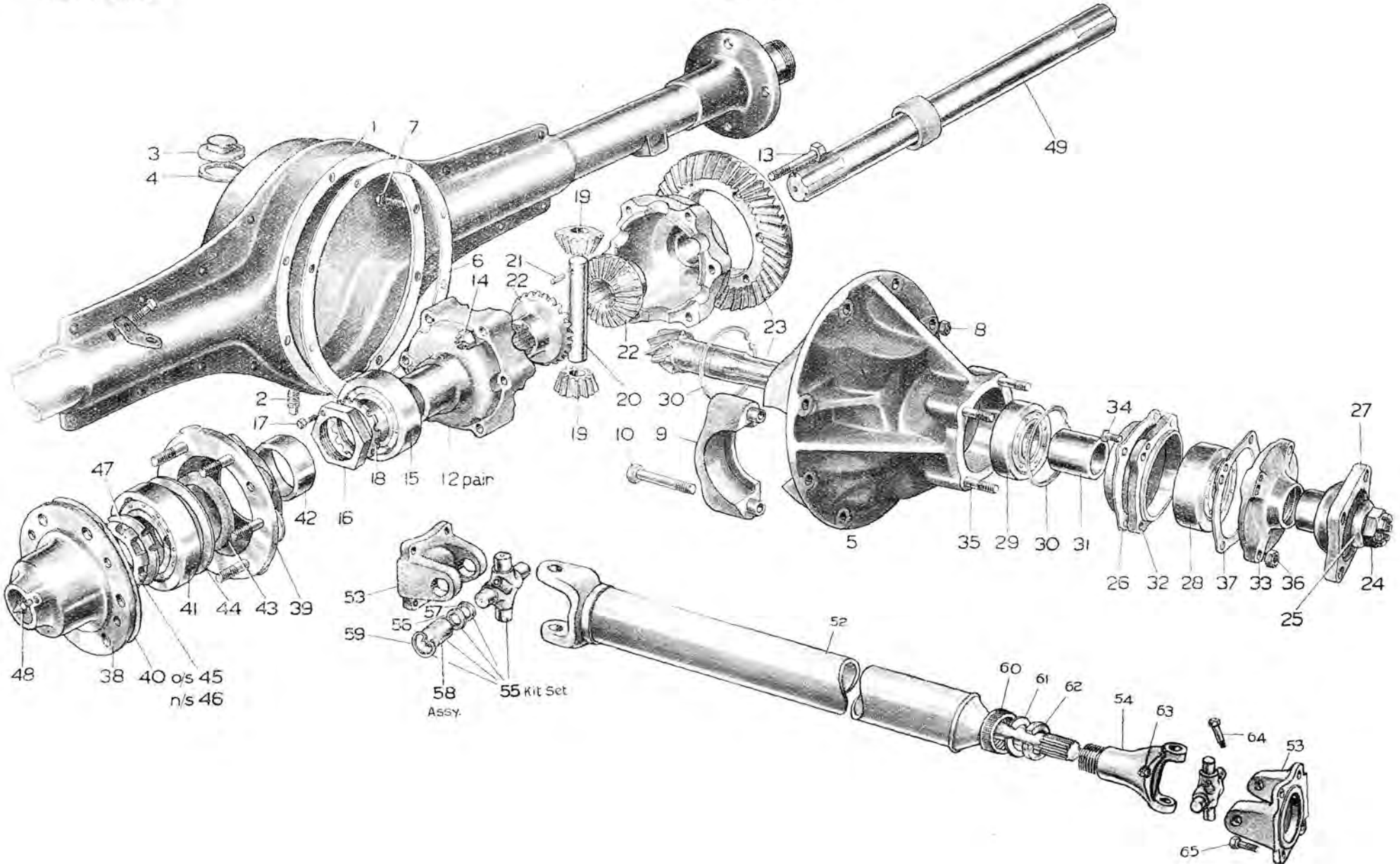




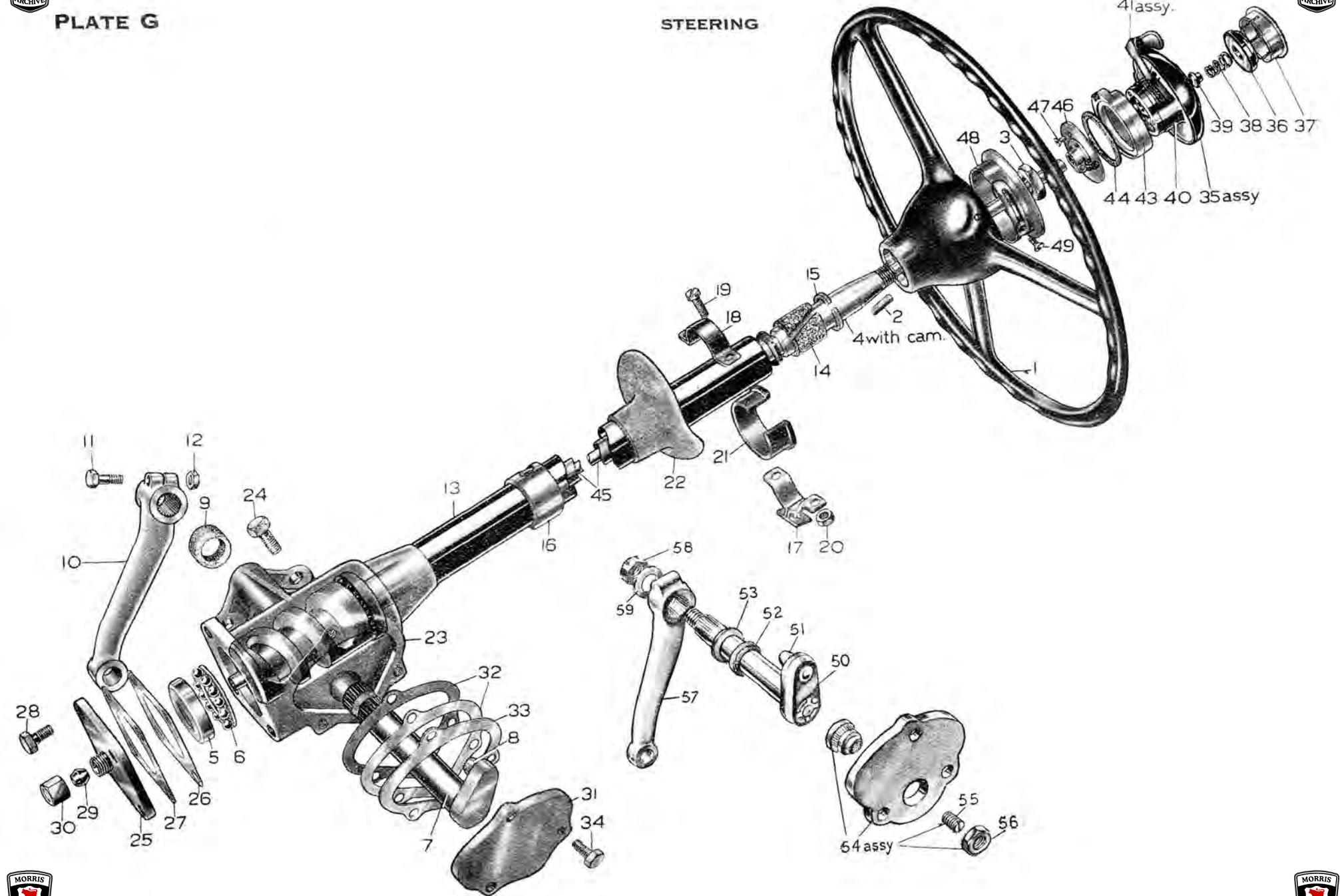
FRONT AXLE

For information: there never was a Plate D





STEERING

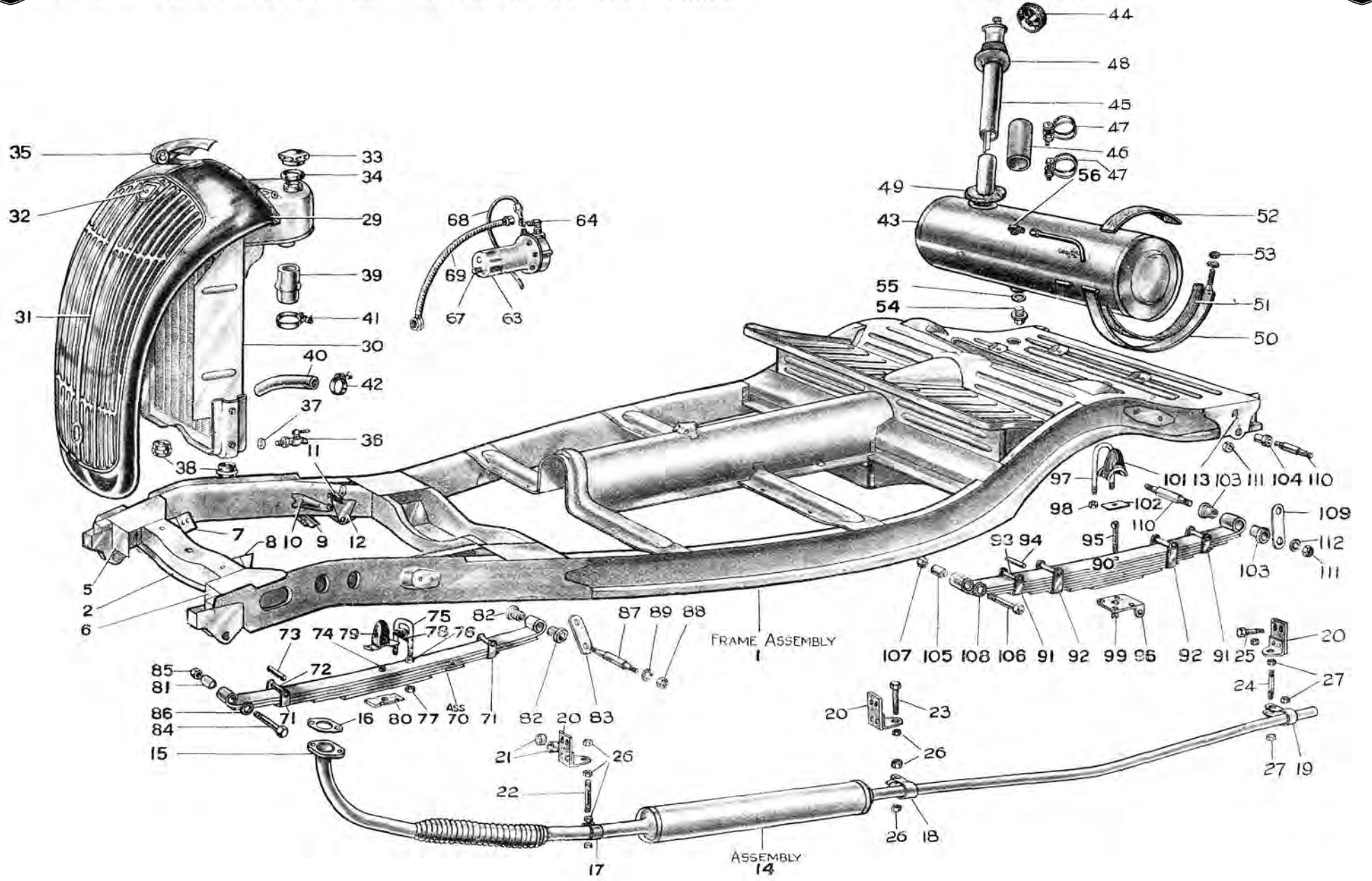




FRAME, EXHAUST SYSTEM, RADIATOR, FUEL SYSTEM AND SPRINGS

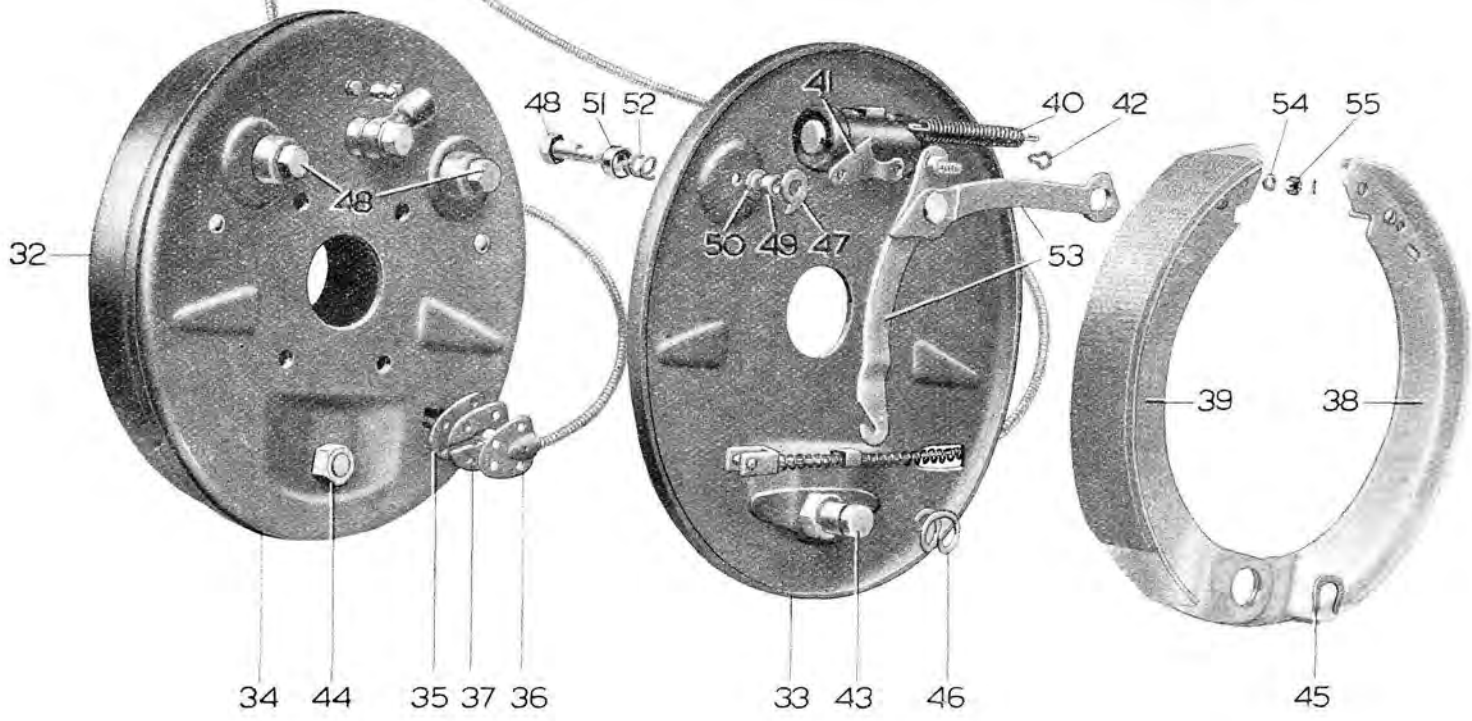
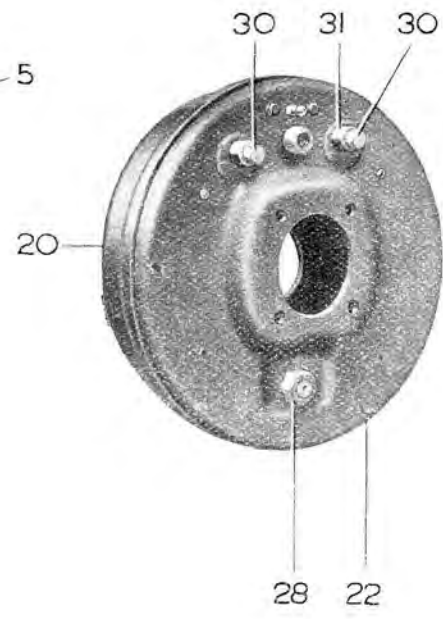
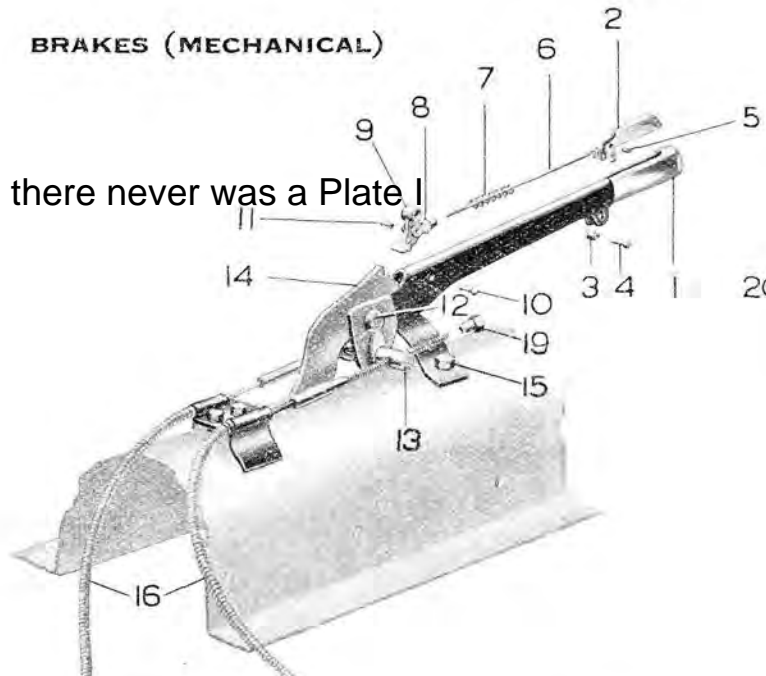


PLATE H

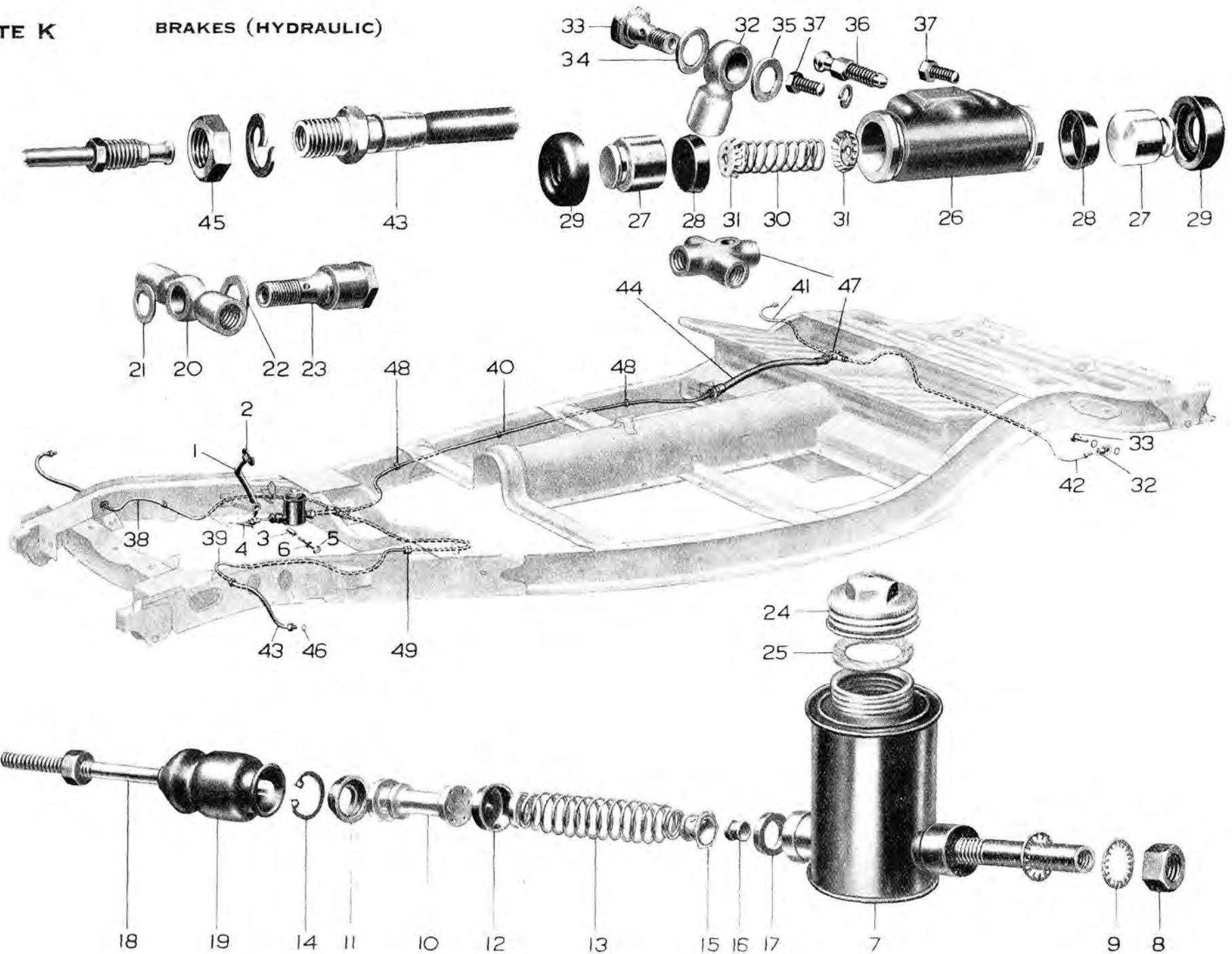




For information: there never was a Plate I



BRAKES (HYDRAULIC)



# PLATE L

# ELECTRICAL

