

THE MORRIS EIGHT LUBRICATION CHART

EVERY 500 MILES

USE ENOTS OILGUN AND
GIVE 3 OR 4 STROKES

EVERY 250 MILES

INSPECT OIL LEVEL IN ENGINE
AND REPLENISH IF NECESSARY
WITH MORRISOL "SIRROM"
(REGD.) BRAND ENGINE OIL

EVERY 1000 MILES

INSPECT OIL LEVEL AND RE-
PLENISH IF NECESSARY WITH
MORRISOL "SIRROM" (REGD.)
BRAND SYNCHRO GEAR OIL

EVERY 1000 MILES

INSPECT OIL LEVEL AND RE-
PLENISH IF NECESSARY WITH
MORRISOL "SIRROM" (REGD.)
BRAND XS-PRESS OIL

EVERY 500 MILES

USE ENOTS OILGUN AND
GIVE 3 OR 4 STROKES

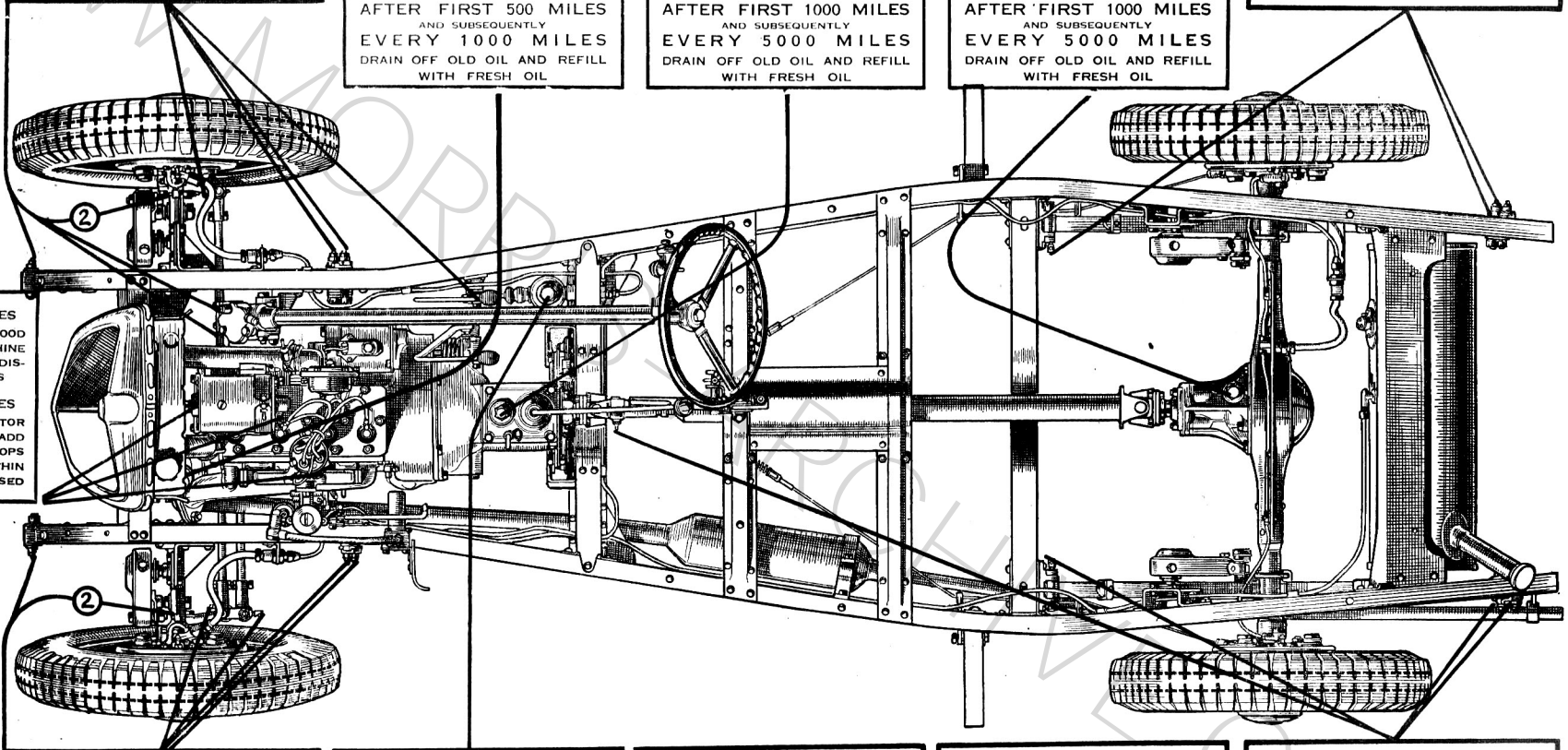
AFTER FIRST 500 MILES
AND SUBSEQUENTLY
EVERY 1000 MILES
DRAIN OFF OLD OIL AND REFILL
WITH FRESH OIL

AFTER FIRST 1000 MILES
AND SUBSEQUENTLY
EVERY 5000 MILES
DRAIN OFF OLD OIL AND REFILL
WITH FRESH OIL

AFTER FIRST 1000 MILES
AND SUBSEQUENTLY
EVERY 5000 MILES
DRAIN OFF OLD OIL AND REFILL
WITH FRESH OIL

EVERY 1000 MILES
ADD ONE DROP OF GOOD
QUALITY THIN MACHINE
OIL TO DYNAMO AND DIS-
TRIBUTOR OILERS

EVERY 3000 MILES
WITHDRAW DISTRIBUTOR
ROTATING ARM AND ADD
TWO OR THREE DROPS
OF GOOD QUALITY THIN
OIL TO OPENING EXPOSED



EVERY 500 MILES

USE ENOTS OILGUN AND
GIVE 3 OR 4 STROKES

EVERY 1000 MILES

INSPECT FLUID LEVEL IN BRAKE
SUPPLY TANK. REPLENISH WITH
LOCKHEED FLUID ONLY

EVERY 1000 MILES

USE OILCAN ON ALL BRAKE LEVER
JOINTS AND ADJUSTING THREADS.
ALSO ON CONTROL JOINTS, DOOR
LOCKS AND HINGES

EVERY 1000 MILES

REMOVE WHEEL HUB DISCS AND
GIVE ONE STROKE OF ENOTS OIL-
GUN TO NIPPLE EXPOSED ON
END OF HUB

EVERY 500 MILES

USE ENOTS OILGUN AND
GIVE 3 OR 4 STROKES

IN ENOTS OILGUN USE MORRISOL "SIRROM" (REGD.) BRAND TRANSMISSION OIL