



# The MORRIS EIGHT (SERIES I)

## ILLUSTRATED LIST OF SPARE PARTS



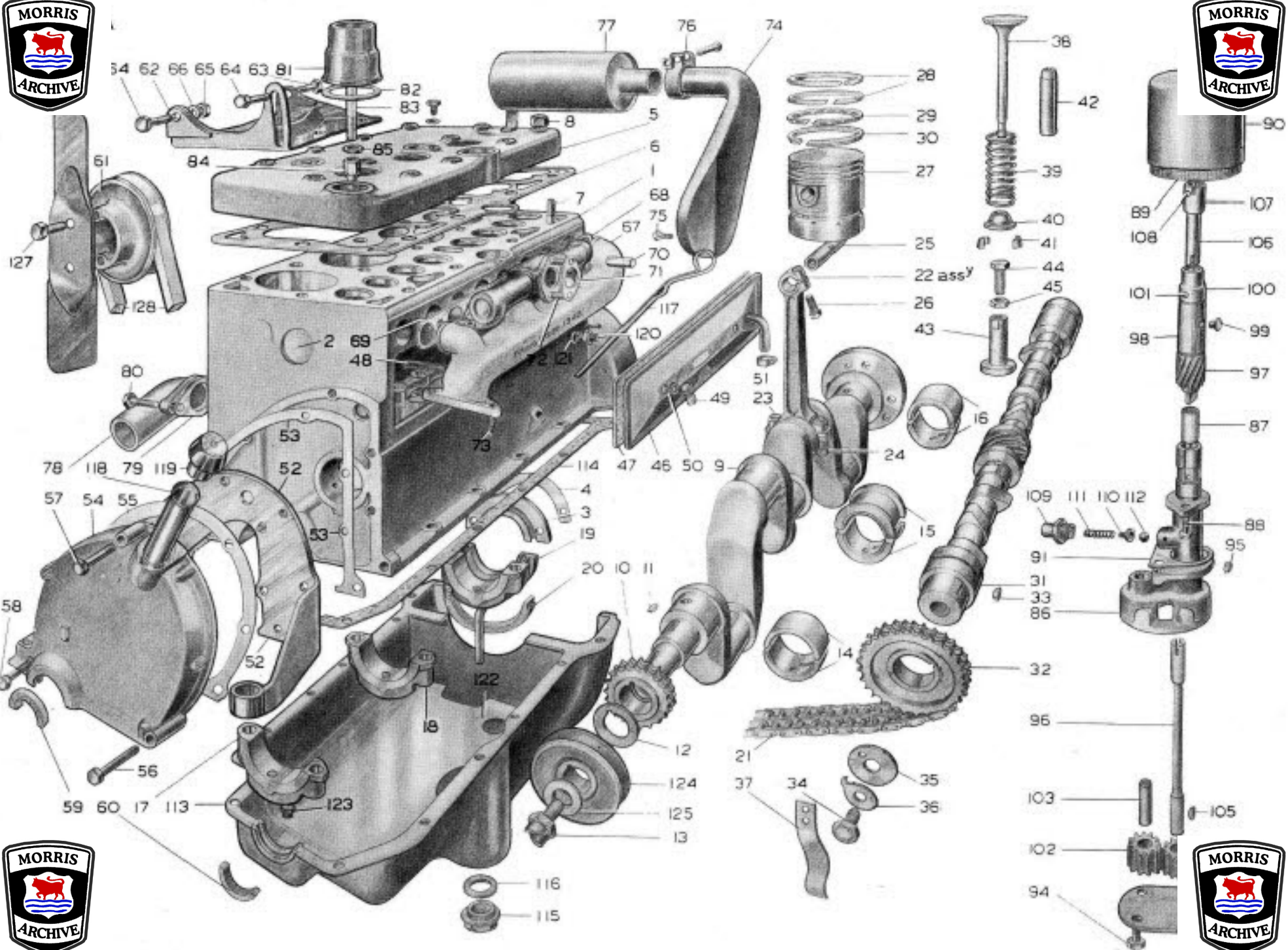
... Issued by ...

MORRIS MOTORS LIMITED, COWLEY, OXFORD, ENGLAND

Telephone . . . . . Oxford 7777  
 Telex . . . . . Oxford Telex 7194  
 Telegrams . . . . . "Voiturette," Telex, Oxford  
 Cables . . . . . "Voiturette," Oxford  
 Codes . . . Bentley's, Bentley's Second Phrase, A.B.C. (5th and 6th Editions), Western Union and Private

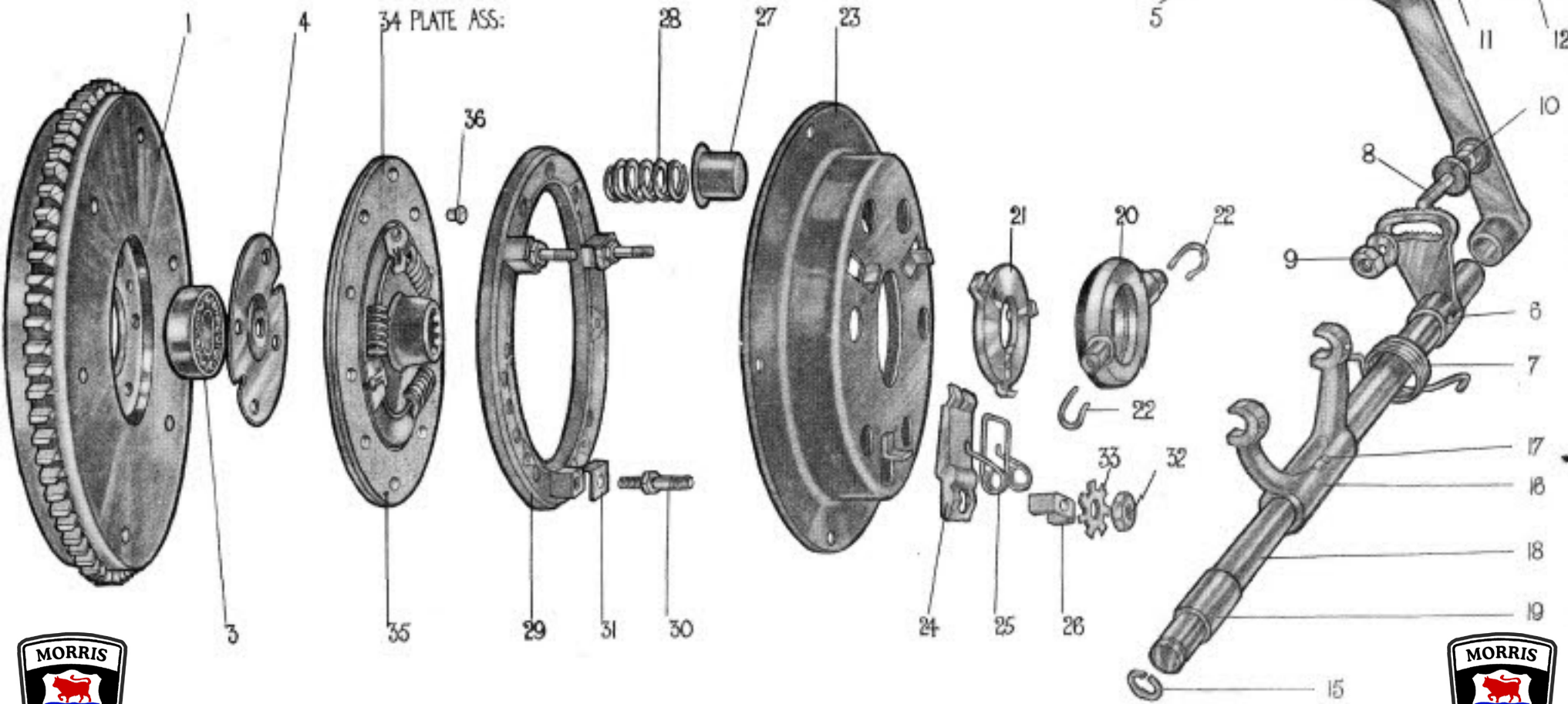
1st April, 1937



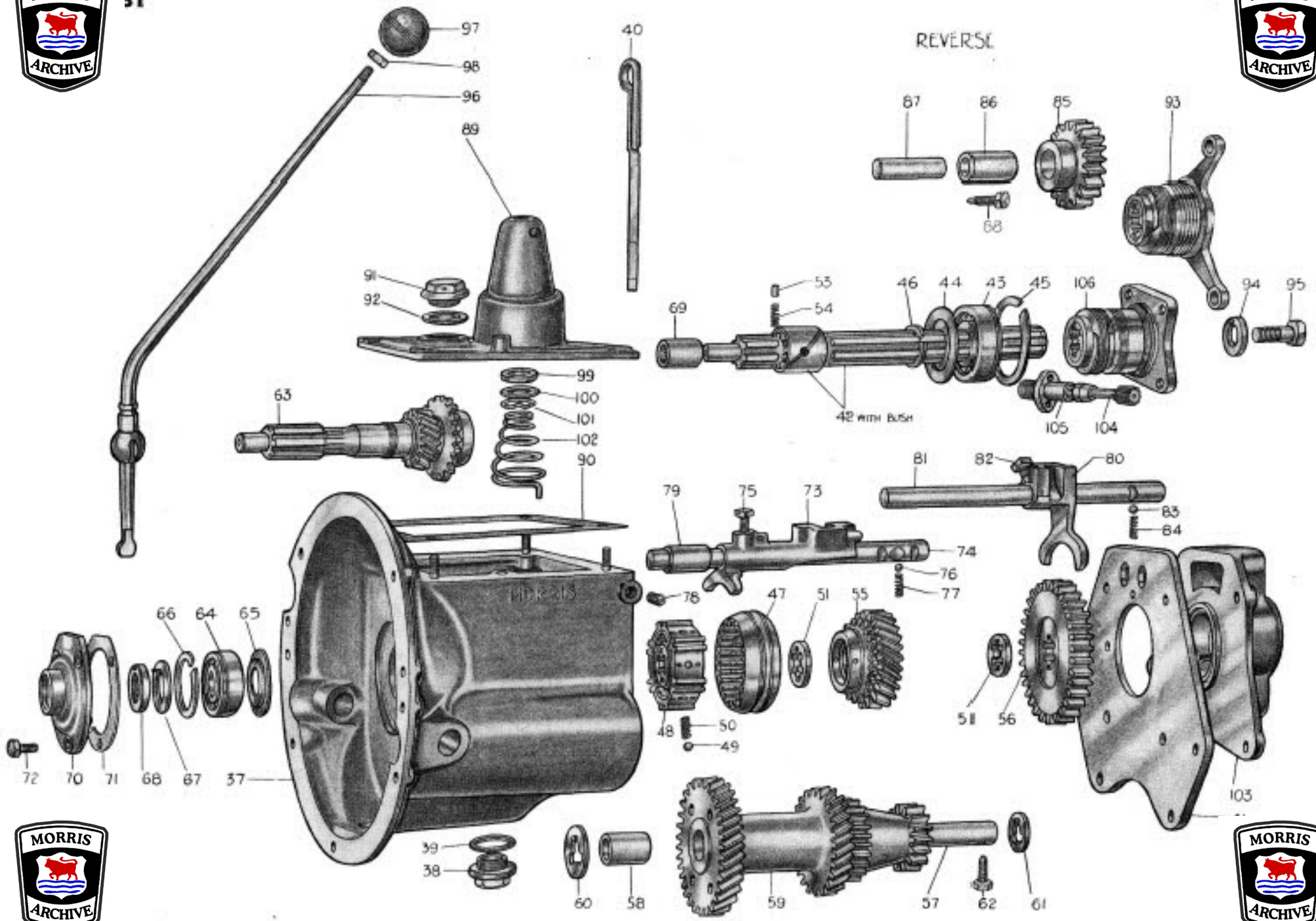




FLYWHEEL AND

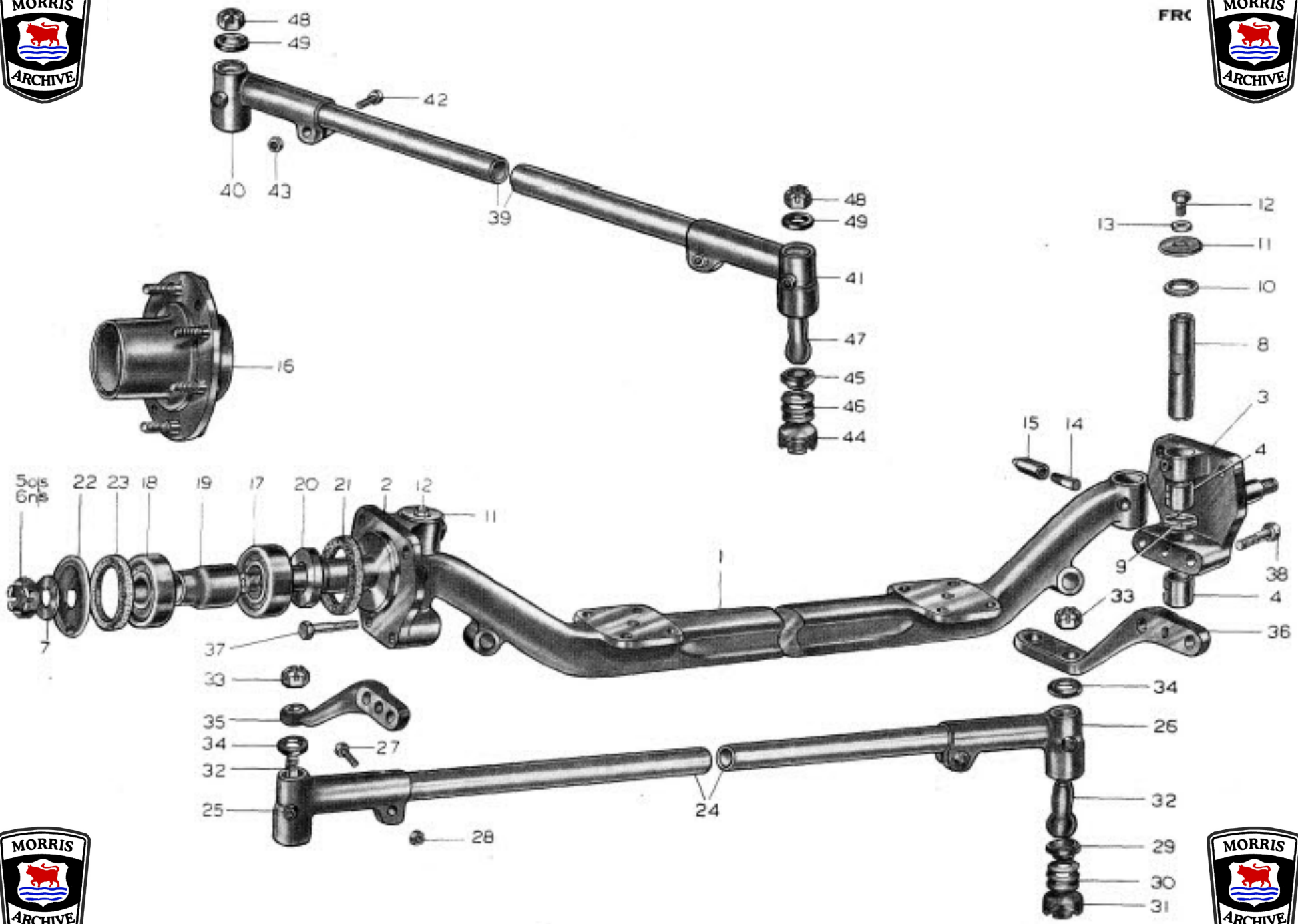






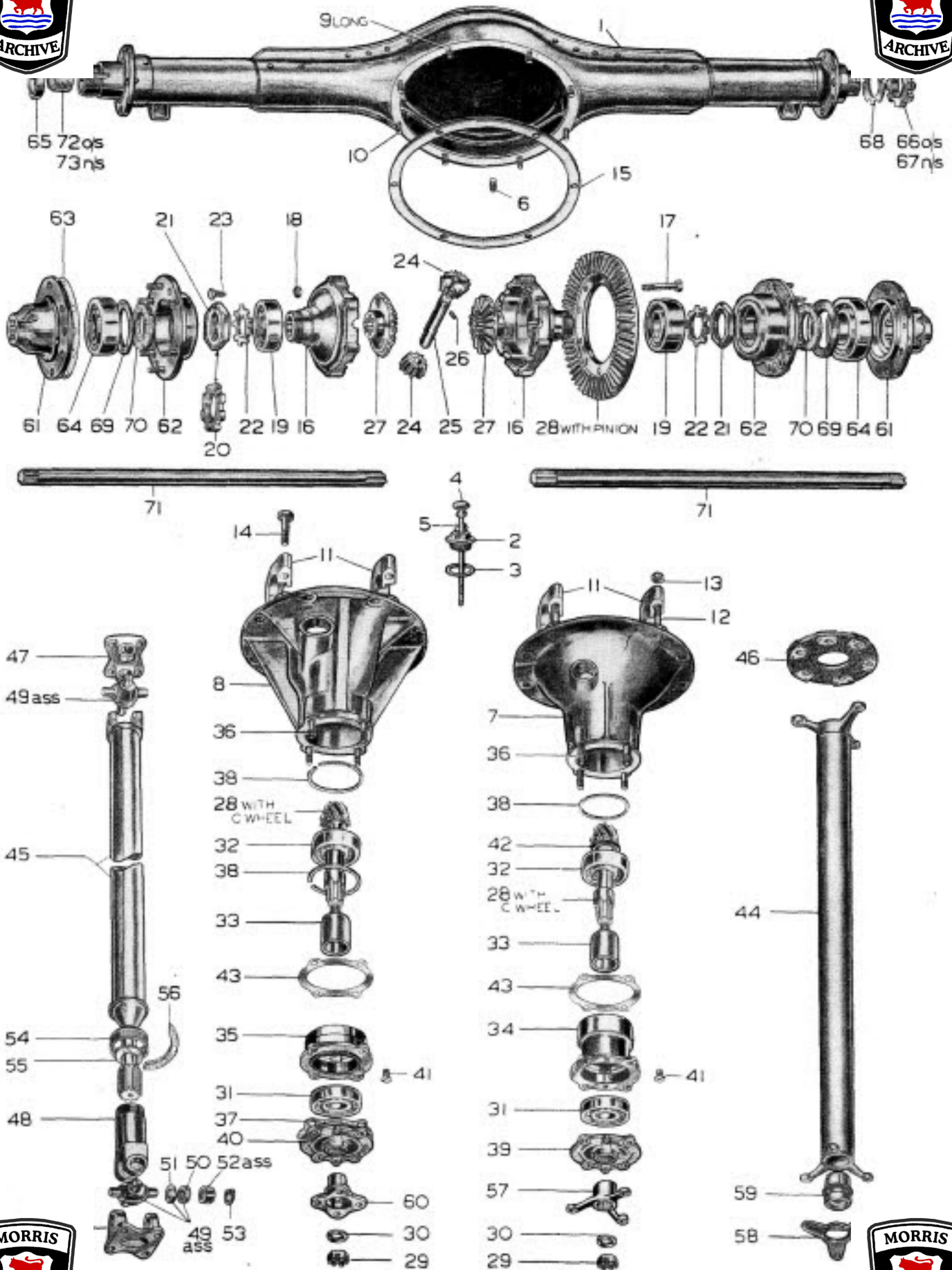


FRC

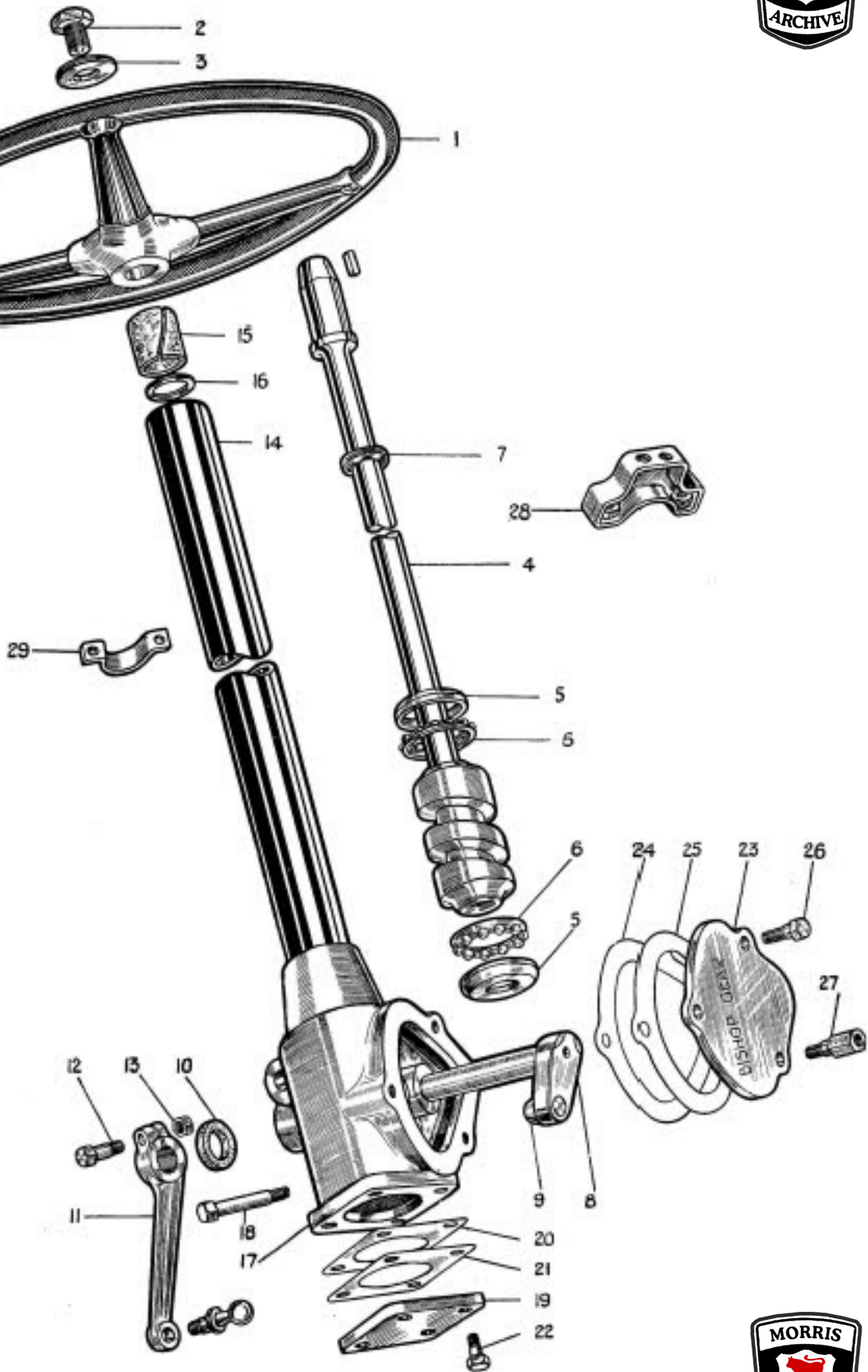




RI

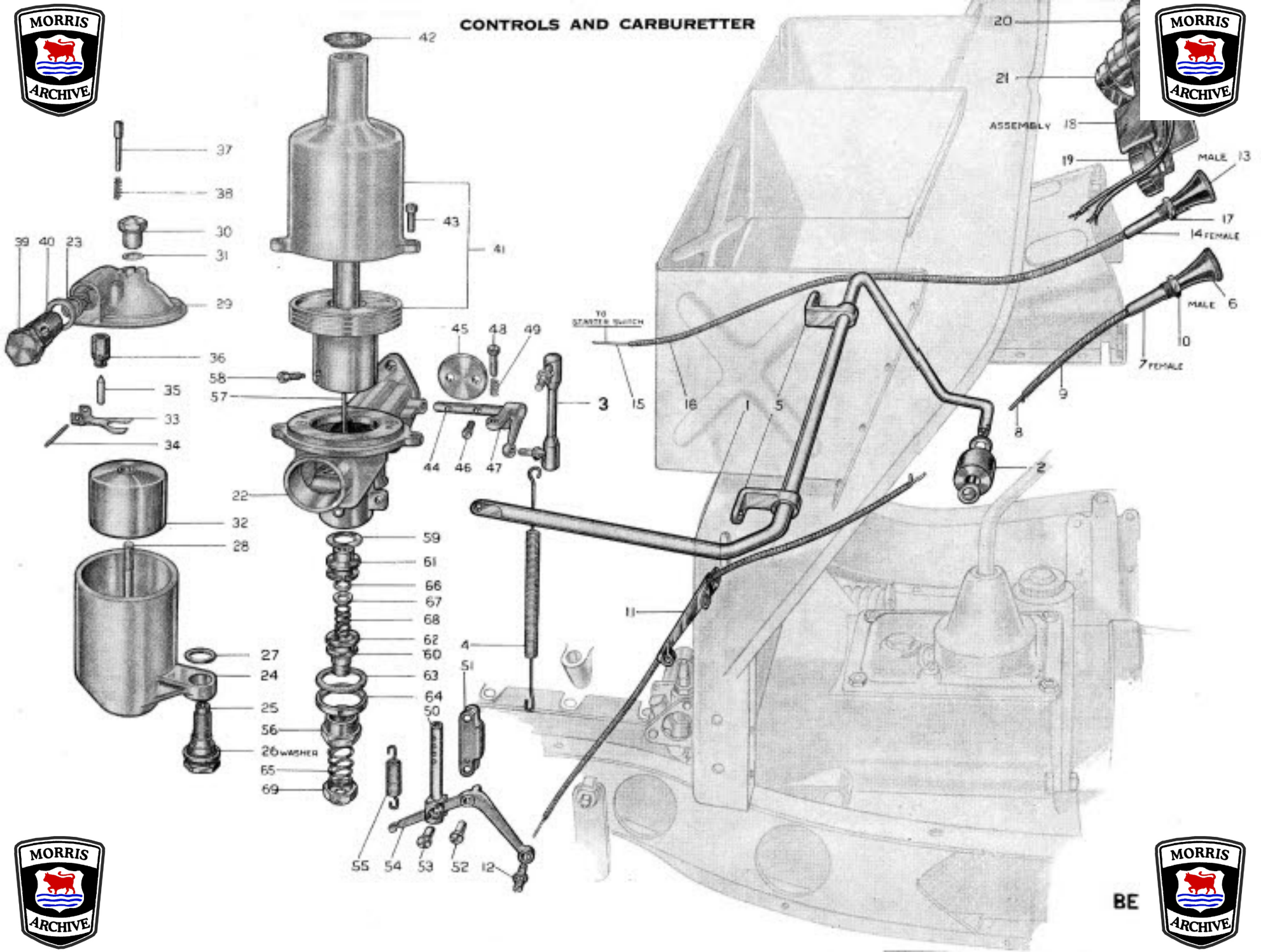








# CONTROLS AND CARBURETTOR



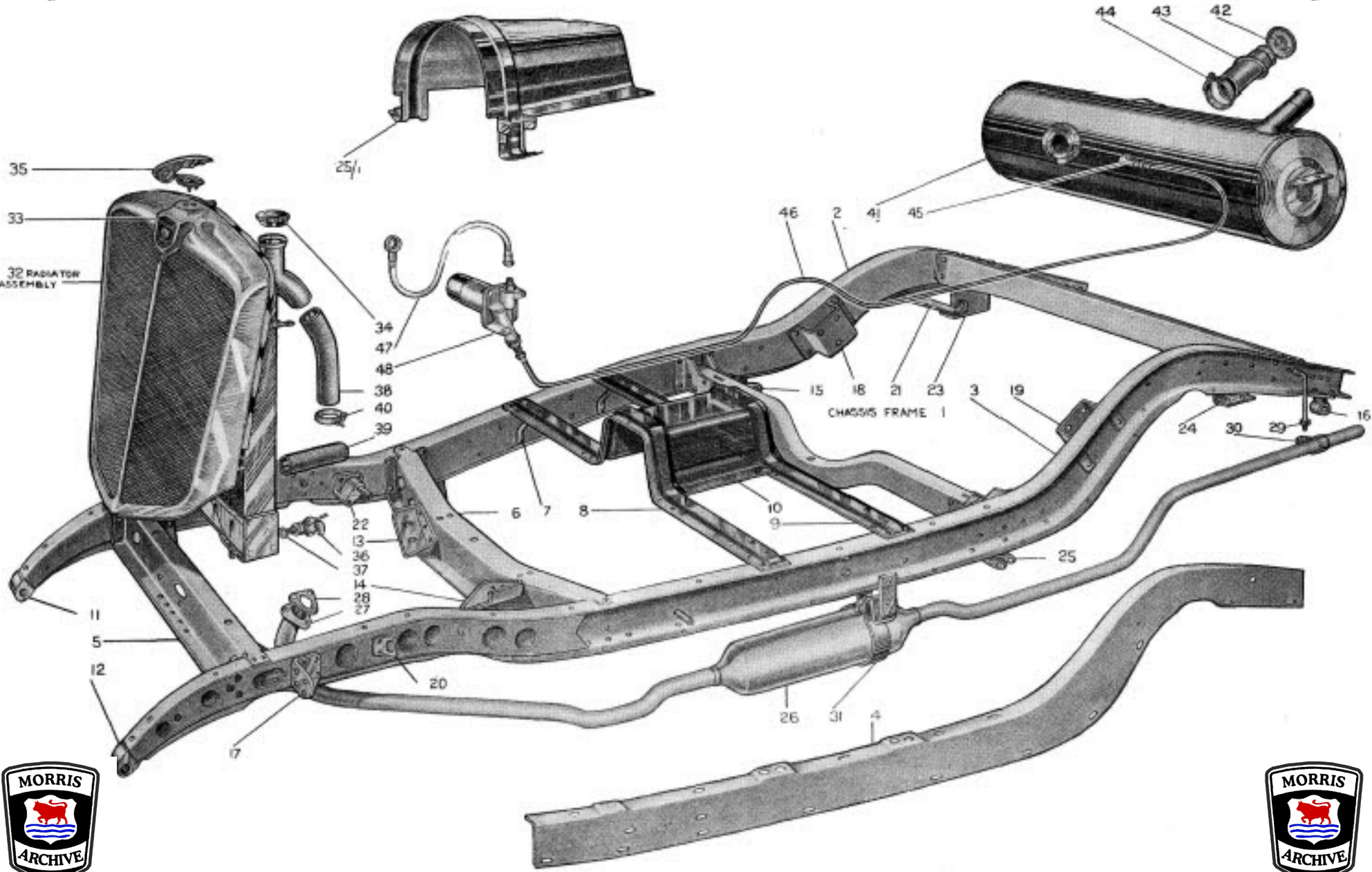
BE





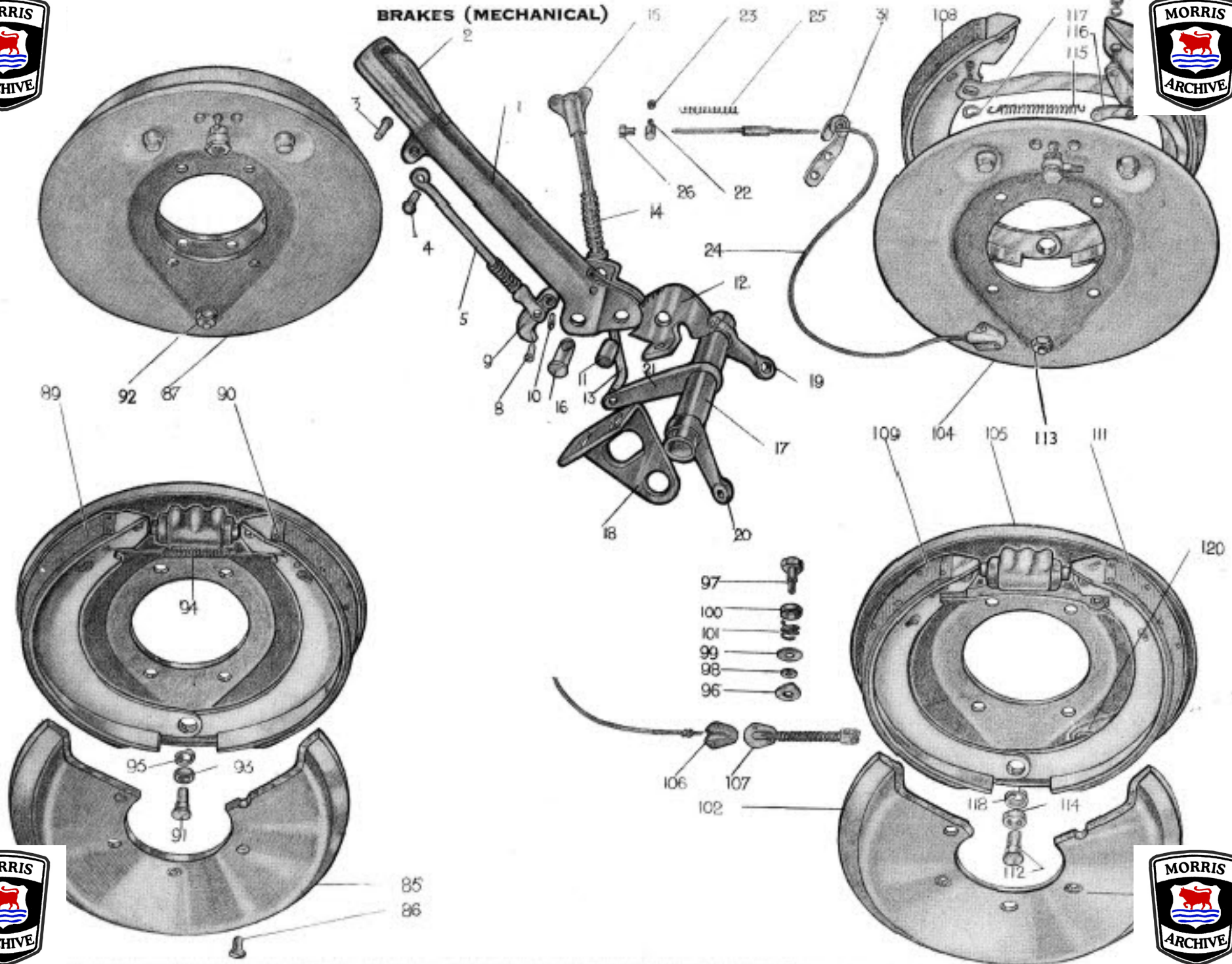


# CHASSIS FRAME, EXHAUST SYSTEM, RADIATOR AND FUEL





# BRAKES (MECHANICAL)

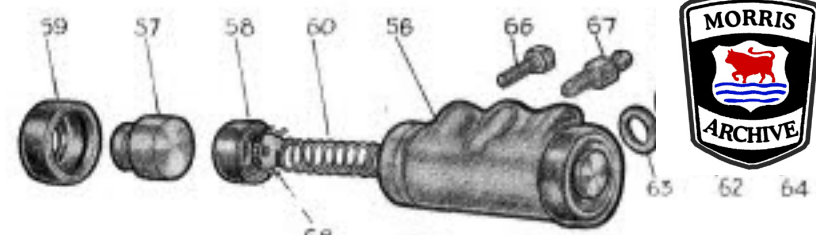
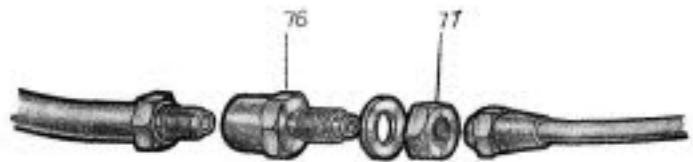






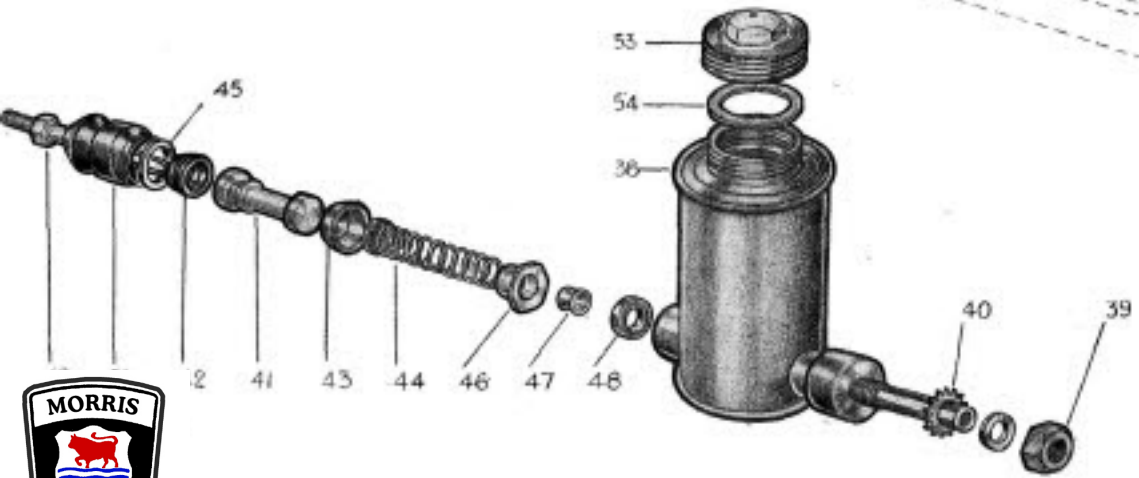
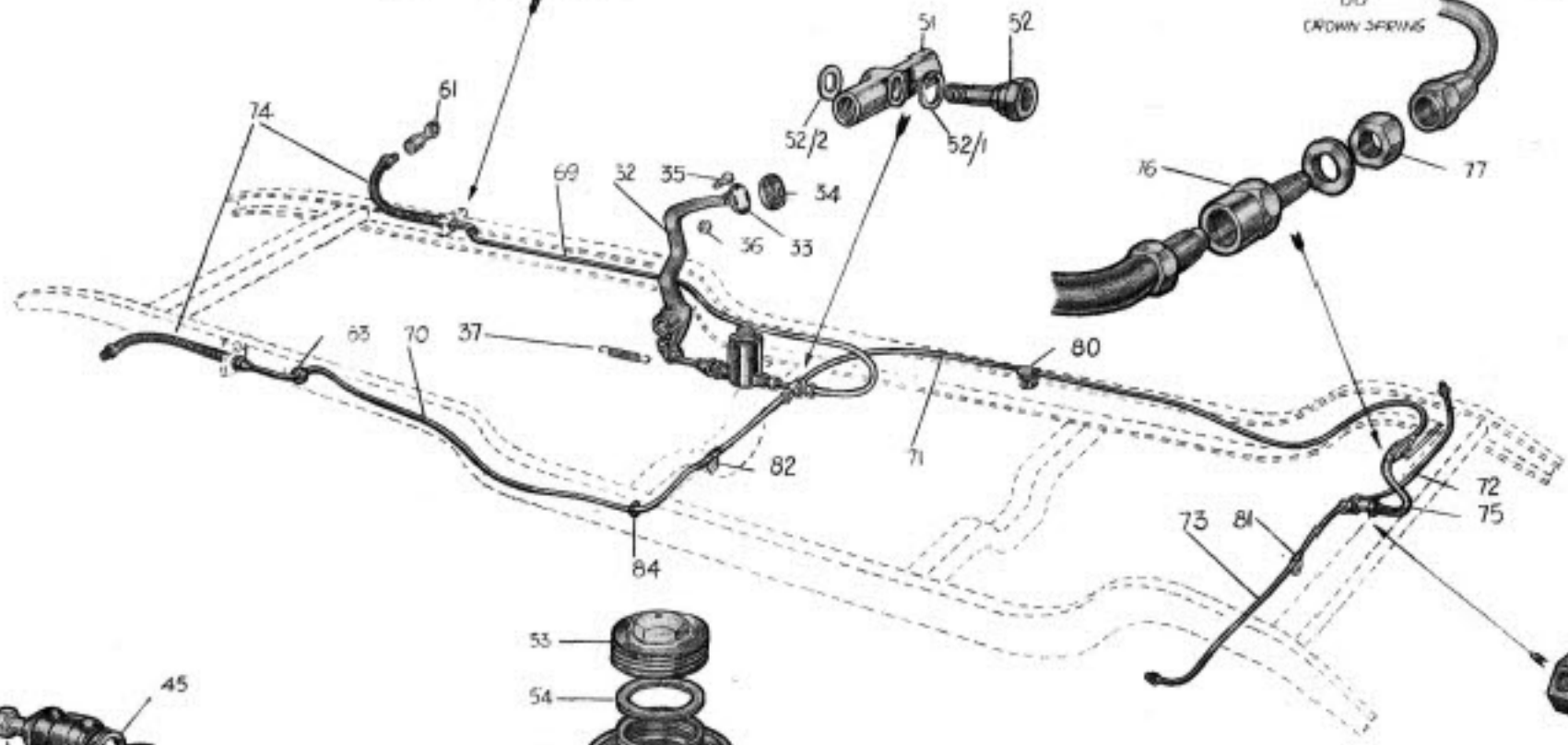
11

# BRAKES (HYDRAULIC)



68  
CARDAN SPRING

WHEEL CYLINDER



MASTER CYLINDER





