



# SPARE PARTS & COMPLETE UNITS

## MORRIS MINOR MODEL 1934.

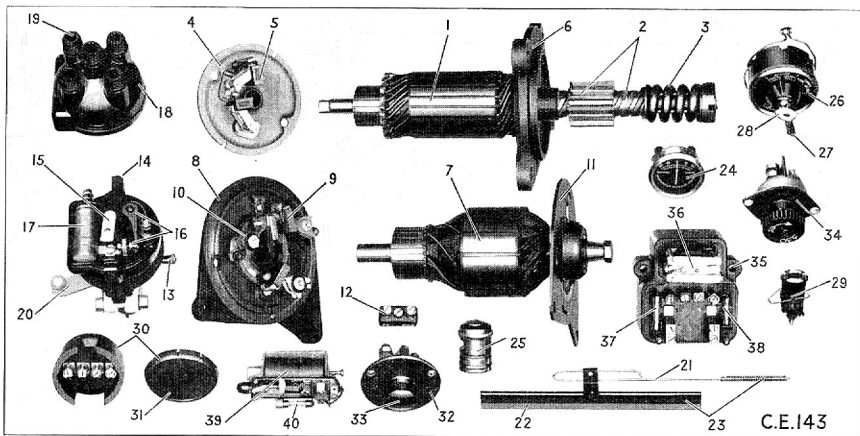


ILLUSTRATION NO.	DESCRIPTION OF PART	QUOTE THIS PART No.	ENGLISH LIST PRICE
M35A/0 A/O STARTER ov.			£ s. d.
1	ER.—CLOCK—INBOARD—	250017	5 10 0 ea.
	Armature (wound) ...	AY904	1 17 6 ea.
2	Pinion and Sleeve Assembly ...	JY115	12 6 ea.
3	Main Spring ...	L3352/1A	1 6 ea.
4	C.E. Bracket c/w Brushes, Brushgear and Bearing Bush	BY923	7 6 ea.
5	Brushes (per set) ...	D26	1 6 set
	Brush Springs (per set) ...	ST138	8 set
	C.E. Band Cover with Nut and Screw ...	HY10	1 4 ea.
6	D.E. Bracket c/w Bearing Bush	CY948	6 0 ea.
	Fixing Bolts ...	L3162/1	4 0 doz.
	Field Coils (per set) ...	FC801	10 0 set
C45E/0 A/O DYNAMO 6v. E.R.—CLOCK—			4 10 0 ea.
7	Armature (wound) ...	AY225	1 12 6 ea.
8	C.E. Bracket c/w Brushgear, Brushes and Bearing Bush ...	BY252	13 6 ea.
	C.E. Oiler, Wick and Spring Ass. ...	L4034/1A	6 ea.
9	Brushes (per set) ...	D38	2 0 set
	Brush Springs (per set) ...	ST328	6 set
10	Control Brushgear Assembled—less Brush ...	EY287	1 9 ea.
	Brush Earthing Lead Assembly	L4037/3B	6 ea.
	Band Cover c/w Nut & Screw	HY343	1 0 ea.
11	D.E. Bracket c/w Bearing and Bearing Plate ...	CY265	11 6 ea.

ILLUSTRATION NO.	DESCRIPTION OF PART	QUOTE THIS PART NO.	ENGLISH LIST PRICE
DYNAMOS—Continued—			£ s. d.
	D.E. Ball Race ...	No.117	8 3 ea.
	Field Coils (per set) ...	22701/0	10 6 set
	End Bracket Fixing Bolts ...	L4058/4B	4 0 doz.
12	Terminal Block Assembly ...	ZY382	1 0 ea.
DJ4A/8 A36/0 DISTRIBUTOR		401254	1 17 0 ea.
13	Lubricator ...	RW1	6 ea.
14	Moulded Cover Securing Clip ...	M2375/2A	1 3 0 doz.
15	Distributor Arm Assembly ...	M2248/3D	1 6 ea.
16	Contact Lever Ass. c/w Contact Screw and Contacts ...	ST361	3 0 set
	Condenser c/w Clip ...	CON246	3 6 ea.
	Condenser Connector ...	M2446/3	2 0 doz.
13	Distributor Moulded Cover c/w Cable Nuts ...	M2902/2	4 0 ea.
19	Distributor Moulded Cover Cable Nut ...	M3156/4	4 0 doz.
	Distributor Moulded Cover Carbon and Spring ...	M43	6 ea.
20	Securing Plate c/w Nut and Screw ...	M2891/1	1 6 ea.
	Driving Dog ...	M1106/4	6 ea.
IGNITION COIL COMPLETE—		GQ6/6 L/0	1 0 0 ea.
	H.T. Cable Nut ...	M2244/3	4 0 doz.
	Fixing Bracket ...	No. 4 Bkt.	1 6 ea.
	Fixing Bracket Liner ...	D496	2 0 doz.

Each Price of Parts marked †—6d. each.

If the model and type marks on your machine are not the same as given here, please quote them in full when ordering.

JOSEPH LUCAS LTD., BIRMINGHAM, ENGLAND  
ST NO. C.E. 143

OCTOBER 193



ILLUSTRATION NO.	DESCRIPTION OF PART	QUOTE THIS PART NO.	ENGLISH LIST PRICE
------------------	---------------------	---------------------	--------------------

			£ s. d.
	DJ4-8 A17-0 DISTRIBUTOR—	400802	1 5 6 ea.
	Lubricator No. 1	M2023/4C	1 0 ea.
	Moulded Cover Securing Clip	M2241/1A	2 0 doz.
	C.B. Lever Ass. c/w Contact	ST361	3 0 set
	Screw and Contact	CN0246	3 6 ea.
	Condenser complete with Clip	M2356/4A	2 0 doz.
	Distributor Arm Assembly	M2248/3D	1 6 ea.
	Distributor Moulded Cover c/w		
	Cable Nuts	M2902/2	4 0 ea.
	Distributor Moulded Cover		
	Cable Nut	M2244/3	4 0 doz.
	Distributor Moulded Cover		
	Carbon and Spring	M43	6 ea.
	Securing Plate Assembled c/w		
	Nut and Screw	M2891/1	1 6 ea.
	Driving Dog	M1106/4	6 ea.
	Driving Dog Rivet	M1610/1	2 6 gross
	30G WINDSCREEN WIPER—	55807	19 6 ea.
21	Arm Assembly	A2180	9 ea.
22	Squeegee Assembly	A2116	1 3 ea.
23	Squeegee and Arm Assembly	A2161	2 0 ea.
	Dust Band Assembly	NC2201/114/CP	1 0 ea.
	Suction Tube	NC2201/37	2 0 doz.
	Valve Stem	NC2201/38	2 0 doz.
	Valve Check Plate	NC2201/41	2 0 doz.
	HF318/5 L1 HORN 6v—	70012	1 3 0 ea.
	Front Rim	L3858/2A	2 0 ea.
	Bracket Assembly	EH9	2 0 ea.
	Bracket Fixing Screw	L4267/4B	2 6 doz.
	Bush (Bracket Fixing Screw)	L3584/2	2 0 doz.
	Bracket Fixing Nuts	117020	2 0 doz.
	Bracket Spring Washer	L3702/3	1 6 doz.
		(L4R38/4)	6 doz.
	C/333 INSTRUMENT PANEL—	C/333	1 6 0 ea.
	Ammeter	AMP26	5 0 ea.
	Bulb—Dash Light	BAS.8S	1 3 ea.
	Bulb—Warning Light	MES252A	31ea.
	Dash Lamp Cover	NC623/4	1 3 ea.
	Panel Connector	L4932/1	1 0 ea.
	Switchbox	PLC-0 L1/0	10 0 ea.
	Assembled Base c/w Rivetted		
	Terminals	JX1024	3 0 ea.
	Cover only	L3784/1	9 ea.
27	Handle c/w Fixing Washer	SK21	1 9 ea.
28	Ignition Key	L4449/3	5 ea.
	Ignition Contact Plate c/w		
	Contacts	L4370/1	2 0 doz.
	Rotor Insul. Plate Assembled		
	c/w Contacts, etc.	L3845/3	1 0 ea.
	Switch Spring	L4542/1	2 0 doz.
	Fixing Spring c/w Nut & Screw	L5299/1	6 ea.
29	Warning Light	WL3/0 6v.	3 6 ea.
	Warning Light Cover and Glass		
	Ass. only	LR41/CP	6 ea.
	C31 JUNCTION BOX—	C31/L	3 0 ea.
30	Cover c/w Insulator	L5532/1	4 0 doz.
	Terminal Screw	12110	1 0 doz.
		(L963/5A)	1 0 doz.
	K78 STARTER SWITCH—	ST8/0/L	4 0 ea.
32	Nuts	L3858/1C	1 0 doz.
	Nut	L3858/3	1 0 doz.
34	ST310 MASTER SWITCH—	ST310/1/L	5 0 ea.
	TRAFFICATOR SWITCH—		
	SD11B—	310046	2 6 ea.
	CFR/A36 CUT-OUT AND		
	JUNCTION BOX—	332031	15 0 ea.
35	Assembled Base c/w Rivetted		
	Terminals and Fuse Clips	332043	5 0 ea.
36	Cut-out (6v. SBS L11)	AZ95	6 6 ea.
	Cut-out Cover	332025	9 ea.
	Cut-out Cover Spring Clip	332008	2 0 doz.

‡ Each Price—6d. each.



ILLUSTRATION NO.	DESCRIPTION OF PART	QUOTE THIS PART NO.	ENGLISH LIST PRICE
------------------	---------------------	---------------------	--------------------

			£ s. d.
	CUT-OUTS—Continued—		
37	Fuse Assembly—25 amp. (per box of half-dozen)	FA25	1 6 box
38	Fuse Assembly—6 amp. (per box of half-dozen)	FAG	1 6 box
	Fuse Cover	334004	1 6 ea.
	Fuse Cover Spring Clip	334005	2 0 doz.
	Resistance	332050	6 0 ea.
	Resistance—Asbestos Guide Plate	332003	3 0 doz.
	Resistance—Asbestos Insul. Pad	332007	2 6 doz.
	Fixing Eyelets—Base Plate	L5234/3	1 6 doz.
	L130P HEADLAMP—C.P.		
	RIM—	501182	1 7 6 ea.
	L130PEDS HEADLAMP—C.P.		
	RIM—	501232	2 5 0 ea.
	Front Rim c/w Glass and Reflector—L130P	500519	12 0 ea.
	Front Rim c/w Glass and Extension Rim—L130PEDS	500122	8 6 ea.
	Glass only	NG13/107	1 6 ea.
	Reflector c/w Main and Pilot Bulb Holders, Action Bracket with Solenoid and Fixing Ass.—L130P/EDS	501238	1 0 0 ea.
	Reflector and Spring—L130P	501191	5 6 ea.
	Reflector Back Shell Ass.—L130P	501187	3 6 ea.
	Reflector Joint Bead	NC862/25	2 0 doz.
	Bulb—Main	3245	2 6 ea.
	Bulb—Pilot	BAS.8S	1 3 ea.
	Dipper Unit c/w Fixing Screws	500105	8 6 ea.
	Dipper Unit Fuse (per box of half-dozen)	F8	1 6 box
	Tension Spring	NC862/44	2 6 doz.
	Set of Swivel Pin Parts—L130P/EDS	(ST687)	9 set
	Fixing Bolt Assembly	500522	1 0 ea.
	T101 TAIL LAMP BLACK c/w	T101/6v/Blk	8 0 ea.
	CABLE—	c/w Cable	5 0 ea.
	Bulb	BAS.8S	1 3 ea.
	Body c/w Ruby and Clear Windows	L884	1 9 ea.
	Fixing Shell Assembly	50256	1 6 ea.
	Bulb Holder Interior Components	ST415	6 set
	SLTW1E BATTERY—LESS COVER AND FITTINGS—	SLTW1E	2 5 0 ea.
	Terminal Lug—Positive—complete	32267/1	1 6 ea.
	Terminal Lug—Negative—complete	32267/2	1 6 ea.
	Vent Plug with Washer	ST106/4D	5 6 doz.
	Vent Plug Washer	1336/5B	1 9 100
	Intercell Connector	32243/4	3 0 doz.
	Set of Fixing Rods	ST232	2 0 set
	CABLES—		
	Main Cable Assembly (SWB)	950120	1 8 6 set
	Set of Starter Clips (SWB)	950131	11 6 set
	Main Cable Assembly (LWB)	951201	1 7 6 set
	Set of Starter Cables (LWB)	950611	
	TRAFFICATOR—LEFT HAND	SEL26C/BN	14 0 ea.
	TRAFFICATOR—RIGHT HAND	SE26C/BN	14 0 ea.
	I35 MIRROR c/w S.G. BRACKET—	135/SG	5 6 ea.
	Mirror Assembled c/w Screw	NI005	4 0 ea.
	S.G. Bracket	SG/Brk.	1 6 ea.
	Set of Nuts and Washers	ST695	9 set
	MORRIS MINOR SALOON—		
	Interior Mirror complete	No.28	4 0 ea.
	Mirror Glass	SW4775	1 9 ea.



If the model and type marks on your machine are not the same as given here, please quote them in full when ordering. Old Numbers are Quoted in Brackets.

