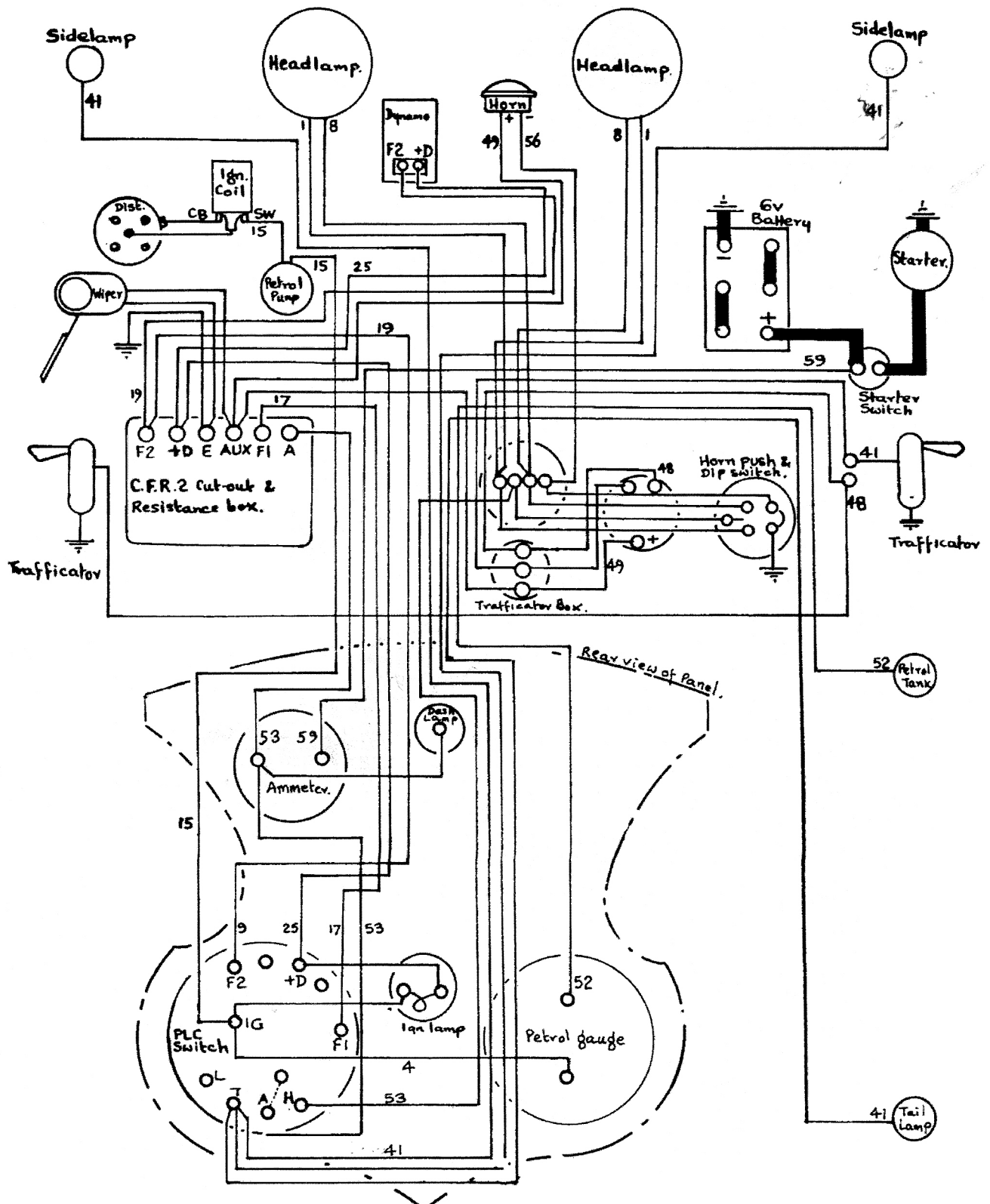


# "8" WIRING DIAGRAM

Chassis 901 to 105242  
And 105501 to 105696 inc.



Key to colour code numbers as shown on wiring diagrams

- |                       |                        |                        |
|-----------------------|------------------------|------------------------|
| 1. Blue               | 23. Green with Brown   | 45. Red with Green     |
| 2. Blue with Red      | 24. Green with Black   | 46. Red with Purple    |
| 3. Blue with Yellow   | 25. Yellow             | 47. Red with Brown     |
| 4. Blue with White    | 26. Yellow with Red    | 48. Red with Black     |
| 5. Blue with Green    | 27. Yellow with Blue   | 49. Purple             |
| 6. Blue with Purple   | 28. Yellow with White  | 50. Purple with Red    |
| 7. Blue with Brown    | 29. Yellow with Green  | 51. Purple with Yellow |
| 8. Blue with Black    | 30. Yellow with Purple | 52. Purple with Blue   |
| 9. White              | 31. Yellow with Brown  | 53. Purple with White  |
| 10. White with Red    | 32. Yellow with Black  | 54. Purple with Green  |
| 11. White with Yellow | 33. Brown              | 55. Purple with Brown  |
| 12. White with Blue   | 34. Brown with Red     | 56. Purple with Black  |
| 13. White with Green  | 35. Brown with Yellow  | 57. Black              |
| 14. White with Purple | 36. Brown with Blue    | 58. Black with Red     |
| 15. White with Brown  | 37. Brown with White   | 59. Black with Yellow  |
| 16. White with Black  | 38. Brown with Green   | 60. Black with Blue    |
| 17. Green             | 39. Brown with Purple  | 61. Black with White   |
| 18. Green with Red    | 40. Brown with Black   | 62. Black with Green   |
| 19. Green with Yellow | 41. Red                | 63. Black with Purple  |
| 20. Green with Blue   | 42. Red with Yellow    | 64. Black with Brown   |
| 21. Green with White  | 43. Red with White     |                        |
| 22. Green with Purple | 44. Red with Black     |                        |